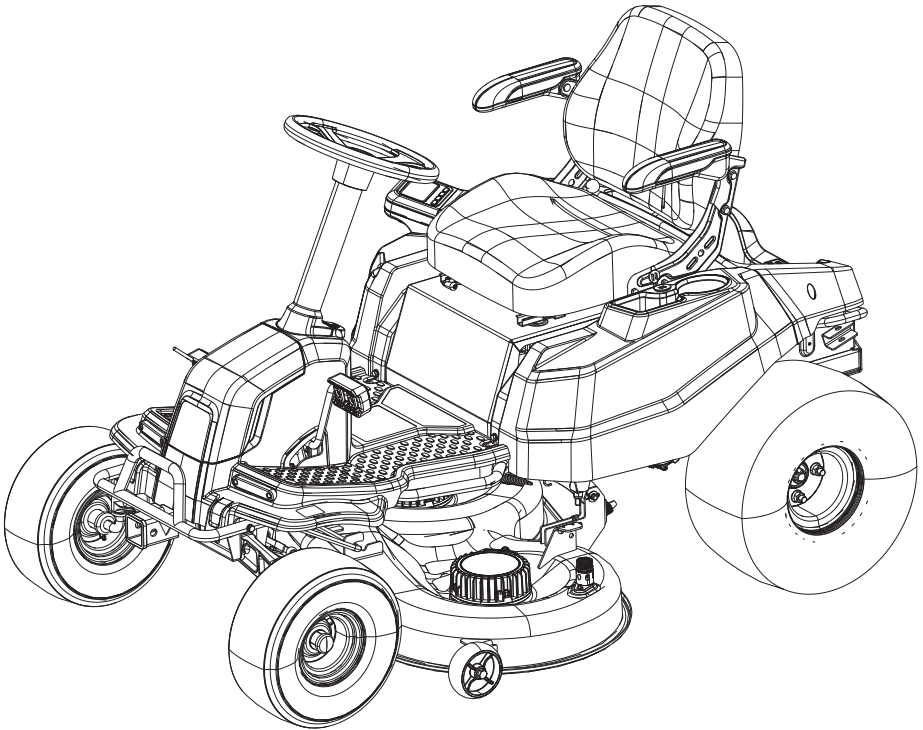




# 7400786 (82LT107)

---

EN | DE | ES | IT | FR | PT | NL | FI | SV | NO | DA | LT | LV |  
ET |



[cramertools.com](http://cramertools.com)

## DECLARATION OF CONFORMITY (UK)

Name and address of the manufacturer:

Name: Greenworks Tools Europe GmbH  
Address: Brunnenweg 17, 64331 Weiterstadt, Germany

Name and address of the authorised representative:

Name: Garden Equipment Ltd  
Address: First Floor, 3a Groveley Road, Christchurch, Dorset, BH23 3HB, UK

Name and address of the person authorised to compile the technical file:

Name: Simon Del-Nevo  
Address: First Floor, 3a Groveley Road, Christchurch, Dorset, BH23 3HB, UK

Herewith we declare that the product

Category: Lawn Tractor  
Model: 82LT107  
Serial number: See product rating label  
Year of Construction: See product rating label

- is in conformity with the relevant provisions of the Supply of Machinery (Safety) Regulations 2008.
- is in conformity with the provisions of the following other UK legislation:
  - Electromagnetic Compatibility Regulations 2016
  - The Restriction of the Use of Certain Hazardous Substances in Electrical and Electronic Equipment Regulations 2012

Furthermore, we declare that the following standard have been used:

- BS EN 62841-1, BS EN ISO 5395-1, BS EN ISO 5395-3, BS EN ISO 12100, EN ISO 14982  
IEC 62321-3-1, IEC 62321-4, IEC 62321-5, IEC 62321-6,  
IEC 62321-7-1, IEC 62321-7-2, IEC 62321-8

Place, date:

Christchurch, Dorset, UK  
10.10.2022

Signature: Ted Qu, Quality Director



<b>1</b>	<b>Description.....</b>	<b>4</b>	7.4	Lubrication.....	15
1.1	Overview.....	4	7.5	Torque values.....	16
1.2	Control panel.....	4	7.6	Battery pack maintenance.....	16
<b>2</b>	<b>Unpack the machine.....</b>	<b>4</b>	7.7	Battery compartment filter maintenance...	16
<b>3</b>	<b>Installation.....</b>	<b>5</b>	7.8	Service.....	16
3.1	Install the seat.....	5	<b>8</b>	<b>Transportation and storage.....</b>	<b>17</b>
3.2	Install the steering wheel.....	5	8.1	Transportation.....	17
3.3	Install the mulch cover.....	5	8.2	Clean and storage.....	18
3.4	Anti-scalp wheels.....	6	<b>9</b>	<b>Troubleshooting.....</b>	<b>20</b>
3.5	Use the app.....	6	<b>10</b>	<b>Technical data.....</b>	<b>22</b>
<b>4</b>	<b>Operating Instructions.....</b>	<b>6</b>	<b>11</b>	<b>Limited warranty.....</b>	<b>22</b>
4.1	Before operation.....	6	11.1	What is covered by this warranty.....	22
4.2	Operate the machine.....	7	11.2	Who must perform the warranty service...	23
<b>5</b>	<b>Electrical system.....</b>	<b>10</b>	11.3	What is not covered by this warranty.....	23
5.1	Electrical system safety.....	10	11.4	Disclaimer of warranty.....	24
5.2	Electrical system information.....	10	11.5	Limitation of remedies.....	24
5.3	Digital display.....	10	11.6	Time limit.....	24
<b>6</b>	<b>Errors.....</b>	<b>11</b>	11.7	No other warranties.....	24
6.1	Error code.....	12	11.8	Owner's responsibility.....	24
<b>7</b>	<b>Maintenance.....</b>	<b>14</b>	11.9	Allocation of risks.....	24
7.1	Mower blade maintenance.....	14	11.10	Warranty registration.....	24
7.2	Replace the headlight.....	15	<b>12</b>	<b>EC Declaration of conformity... </b>	<b>25</b>
7.3	Tires.....	15			

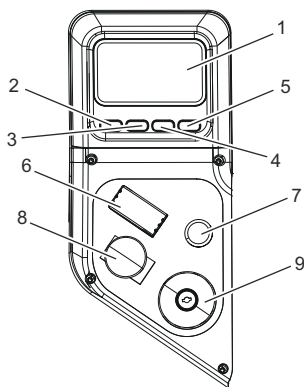
## 1 DESCRIPTION

### 1.1 OVERVIEW

See separate figure sheet 1-20

- |                                |                        |
|--------------------------------|------------------------|
| 1 Seat adjustment lever        | 17 Steering wheel      |
| 2 Side discharge chute         | 18 Cover plate         |
| 3 Brake pedal                  | 19 Mulch cover         |
| 4 Control panel                | 20 Bearing ring        |
| 5 Deck height adjustment lever | 21 Fixation clamps     |
| 6 Accelerator pedal            | 22 Serial number       |
| 7 Parking brake handle         | 23 Pairing code        |
| 8 Headlights                   | 24 QR code             |
| 9 Cup holder                   | 25 Battery compartment |
| 10 USB port                    | 26 Battery             |
| 11 Anti-scalp wheels           | 27 Battery latch       |
| 12 Seat panel                  | 28 Blade               |
| 13 Seat plug                   | 29 Oil filling port    |
| 14 Steering shaft              | 30 Oil drain outlet    |
| 15 Coupler                     | 31 Garden hose         |
| 16 Steering column             | 32 Quick coupler       |
|                                | 33 Wash port           |

### 1.2 CONTROL PANEL



#	Name	Function
1	Digital display	This display shows important electrical system information. Refer to the Electrical section for complete information.
2	Blade motor speed control / Return	Adjust the blade speed (cyclic) when it's on the homepage. Press the button to return to the previous page.
3	Menu navigation / Page up	Turn the digital display to last page. Back to home screen.
4	Lamp switch / Page down	Turn on/off the lamps when it's on the homepage. Turn the digital display to the next page .
5	Cruise control button / Confirm	Push and hold over 0.4s to activate cruise control function, press the button to confirm.
6	Direction control switch	The direction of movement of the mower is controlled using the direction control switch. Available settings are Drive (D), Neutral (N) and Reverse (R).
7	Reverse mowing button	For cutting in reverse, the reverse mowing button must be activated.
8	Power switch	The switch is used to turn the mower on and off. The start key must be inserted before the switch can be operated.
9	Deck blades On/Off switch (PTO)	This switch engages the blade motors. Pull the switch up to engage and push switch down to disengage the motors.

### **i** IMPORTANT

Never engage blade motors when the deck is under load. Motors or deck could be damaged.

## 2 UNPACK THE MACHINE

### **▲** WARNING

Make sure that you correctly assemble the machine before use.

**▲ WARNING**

- If parts of the machine are damaged, do not use the machine.
- If parts are missing, do not operate the machine.
- If parts are damaged or missing, contact the service center.

1. Open the package.
2. Read the documentation provided in the box.
3. Remove all the unassembled parts from the box.
4. Remove the machine from the box.
5. Discard the box and packing material in compliance with local regulations.

**▲ WARNING**

For your personal safety, do not insert battery before the tool is assembled completely.

**3 INSTALLATION****3.1 INSTALL THE SEAT**

See figure 3

1. Place the seat assembly over the seat panel and align holes as shown.
2. Install the bolts, washers and nuts and tighten securely.
3. Attach the sleeves to the nuts.
4. Make sure it is securely seated.
5. Connect the seat plug to the machine.

**3.2 INSTALL THE STEERING WHEEL**

See figure 4-5

**i NOTE**

Make sure the slot faces up to the seat.

1. Install the steering shaft into the coupler, rotating as needed to align hole in shaft with bolt hole in coupler.
2. Install two bolts and tighten securely.

**i NOTE**

Torque bolts to the value as shown.

3. Install the steering column. Note the tabs on the bottom of the steering column that fit into the holes in the opening and make sure steering column is securely seated.
4. Make sure the mower's wheel is pointed straight ahead, then install the steering wheel over the steering column with force.
5. Install the bolt and washer; tighten securely.
6. Install the steering wheel cover plate.

**3.3 INSTALL THE MULCH COVER**

See figure 6

The mower is configured for side discharge when shipped. If mulching is desired:

1. Place the mulch cover on the tab on the mower housing.
2. Align the holes in the mulch cover and the holes in the mower housing.
3. Install and tighten the bolts, screws, fixation clamps and bearing ring as shown.

### 3.4 ANTI-SCALP WHEELS

See figure 2

Anti-scalp wheel kits are standard on Cramer units. These anti-scalp wheels are designed to minimize scalping when mowing on rough, uneven terrain. After setting the cutting height, adjust the anti-scalp wheels so they extend below the deck but do not contact the ground. They should always be at least 0.6 cm to 1.9 cm below the deck. With the unit sitting on a flat level surface, the wheel position can be adjusted up or down as needed from 1.9 cm to 4.4 cm below the blade surface. Move the wheels up or down - using the different axle mount holes in the wheel mount bracket (if applicable on model).

### 3.5 USE THE APP

See figure 7-8

1. Visit the website of Fleet Management: [fleet.cramertools.com](http://fleet.cramertools.com)
2. Create an account and then log in.
3. Invite other users in your organization.
4. Scan the QR code, download the app and log in.
5. Add a device. Find the serial number, pairing code and QR code in the vehicle matching label on this manual. Scan QR code or type in manually.

## 4 OPERATING INSTRUCTIONS

### 4.1 BEFORE OPERATION

#### 4.1.1 ADJUST THE SEAT

See figure 9

Adjust the seat position to ensure you are able to make firm contact with the accelerator and brake pedal before operating the mower.

1. Sit down on seat and lift the seat adjustment lever.
2. While holding the lever, slide the seat to the desired position.
3. Release the lever and make sure the seat is locked in position before operating the mower.

#### ▲ WARNING

Be sure the seat is locked into place before operating the mower. A seat that is not secure can cause the operator to shift and lose control of the mower and result in possible death or serious personal injury.

#### 4.1.2 ADJUST THE DECK CUTTING HEIGHT

See figure 10

Before using the mower, raise the deck height to the cutting position best suited for your lawn.

Deck height is adjustable from 3.81-11.4 cm. Deck should be raised while mowing is in progress to avoid stumps, rocks or other obstacle that can be damage mower deck.

#### ▲ CAUTION

Hold the deck height adjustment lever firmly when setting the deck height and only release when it is secure in the desired slot. Quickly letting go of the lever may create a pinching or pulling hazard to the operator's hand.

1. Stop the mower and disengage blades.
2. Turn the key to OFF position and set the parking brake.
3. To raise the cutting deck, grasp the deck height adjustment lever, push left to disengage from slot, move toward the back of the mower, then push right into slot to secure.
4. To lower the cutting deck, grasp the deck height adjustment lever, push left to disengage from slot, move toward the front of the mower, then push right into slot to secure.

### 4.1.3 INSTALL THE BATTERY PACK

See figure 11

To verify mower batteries are fully charged, check the battery level indicator. See the battery manual for more details.

1. Lift the seat panel.
2. Lift the battery compartment cover.
3. Install the battery pack into the battery compartment.

#### ▲ WARNING

Align the ribs of the battery with the battery port. Make sure that the battery latch clicks into the battery compartment smoothly.

### 4.1.4 BEFORE OPERATING THE MACHINE

- Ensure work area is clear of children, bystanders, and pets.
- Clear the work area of objects that may be thrown by the mower blades.
- Check brake operation.
- Check tire pressure.
- Check for loose fasteners.
- Check to make sure all guards are in place and working properly.
- Clean debris from mower.
- Test safety interlock system.
- Adjust seat to desired position.
- Verify battery charge level.

### 4.1.5 SAFETY INTERLOCK SYSTEM

See figure 12

This mower features a Safety Interlock System to protect the operator by shutting off the blades if the operator leaves the seat with the blades running. Test the system before each use to be sure it is working correctly.

1. Make sure direction control switch is in neutral (N) position and PTO switch is down.
2. Insert the start key and turn to ON position.
3. Release the parking brake.
4. Raise the PTO switch to activate blades.
5. Briefly lift off the seat, but do not get off the mower.

The blades should shut off within 5 seconds. If they don't, contact customer service. Do not operate the mower until the safety interlock system has been repaired.

## 4.2 OPERATE THE MACHINE

### 4.2.1 START THE MACHINE

#### i NOTE

Clear the area of bystanders before operating the mower. If anyone enters the mowing area, stop immediately and do not return to mowing until the bystanders leave the area.

1. Raise the mower deck to its highest position.
2. Insert the start key and turn to ON position.
3. Press the direction control switch to neutral (N) position .
4. Release the parking brake.
5. Pull up on deck PTO switch to start cutting blades for mowing.
6. Press the direction control switch to drive (D) position and drive to desired mowing location.

**i NOTE**

Use caution when crossing over gravel paths or driveways. Before crossing, disengage the blades and raise the cutting deck to the highest position to minimize the possibility of ricochet. Drive slowly to avoid loss of traction and control.

**i NOTE**

Do not attempt to change the direction of operation while the mower is in motion. Always come to a complete stop before changing the mower direction.

**4.2.2 SET THE CRUISE CONTROL**

1. While driving the mower forward, press the accelerator pedal until the desired rate of speed is achieved.
2. Press the cruise control button and hold over 0.4s.
3. Release pressure on the accelerator pedal. Mower speed should remain constant.

**4.2.3 RELEASE THE CRUISE CONTROL**

1. Tap on the accelerator pedal, depress the brake pedal.

**4.2.4 SET THE PARKING BRAKE**

1. Fully depress and hold the brake pedal.
2. Pull the parking brake handle up and hold it.
3. Release the brake pedal.
4. Release the parking brake handle.

**▲ WARNING**

Never leave the mower unattended when the motor is running. Verify that the parking brake is set and the key has been removed. Failure to set the parking brake could cause the mower to move, and leaving the key could allow unauthorized use that could result in serious personal injury.

**4.2.5 RELEASE THE PARKING BRAKE**

1. Depress the brake pedal to release the parking brake.

**4.2.6 STOP THE MACHINE**

1. Stop mower on a flat, level surface.
2. Set the parking brake.
3. Push the PTO switch down to turn blades off.
4. Turn the key to OFF position.

**4.2.7 REVERSE MODE OPERATION**

See figure 13

- Depress the brake pedal and bring the mower to a complete stop.
- Push the PTO switch down to turn blades off.
- Place the direction control switch in reverse (R) position.
- Press the reverse mowing button.
- Raise the PTO switch, slowly press accelerator pedal, and reverse mow as needed.

**▲ WARNING**

Do not mow in reverse unless absolutely necessary. Always look down and behind before and while backing to make sure no children, bystanders, or pets enter the mowing area. Remember that a careless fraction of a second is sufficient to inflict death or serious injury.



**▲ WARNING**

Be especially careful before and when backing with the bagger kit (not provided) installed, as it may limit visibility. Always look closely behind and down for small children, bystanders, and pets and move the mower slowly to prevent back over accidents that can cause death or serious personal injury.

**4.2.8 USE THE USB PORT**

See figure 14

The USB charging port provides charging power of 5 Volts DC at up to 2.1 amps for your cell phone, MP3 player, or other USB devices. Consult the owner's manual for your device for specific charging requirements.

Connect one end of a USB cable (not provided) to your device and the other end to the USB charging port on the mower, to begin charging your device.

**i NOTE**

Attempting to charge devices rated more than 2.1 amps could damage the USB charging port and/or the mower.

**i NOTE**

The USB port is only powered when the machine starts.

**▲ WARNING**

Never use headphones or any electronic device, such as a smart phone or tablet, while operating the mower. Distracted operation can result in an accident that could result in death or serious personal injury to the operator or a bystander.

**4.2.9 OPERATION TIPS**

See figure 15

- Keep mower blades sharp.
- Make sure the lawn is clear of stones, sticks, wires, toys, tree nuts, tree branches, and other objects that could damage the lawn mower blades or motor. Do not mow over property stakes or other metal posts. Such objects could damage the blade or be accidentally thrown by the mower in any direction and cause serious personal injury to the operator and others.
- For a healthy lawn, always cut off one-third or less of the total length of the grass.
- When mowing large areas, start by turning to the right so that clippings will discharge away from shrubs, fences, driveways, etc. After one or two rounds, mow in the opposite direction, making left hand turns until finished.
- Mow so that discharged clippings exit in the direction of the lawn area that has already been cut.
- When cutting heavy grass, reduce speed to allow for more effective cutting and a proper discharge of the clippings.
- **During normal mowing**, cut only about 38mm (1.5") of the grass blade. Cutting more than that is not recommended unless grass is sparse or it is the end of the mowing season.
- Do not cut wet grass. It will stick to the underside of the deck and prevent proper bagging or mulching of grass clippings.
- New or thick grass may require a narrower cut or a higher cutting height.
- Keep the mower deck and side discharge chute clean. Remove grass clippings, leaves, dirt, and any other accumulated debris before and after each use. Do not spray with a garden hose to clean.

**i NOTE**

Always stop mower, allow blades to completely stop, and remove the start key before cleaning underneath the mower.

**4.2.10 SLOPE OPERATION**

See figure 16

Slopes are a major factor related to loss of control and tip-over accidents, which can result in severe injury or death. Operation on all slopes requires extra caution. If you cannot back up the slope or if you feel uneasy on it, do not mow it.

- Travel in the manufacturer recommended direction on slopes. Use caution while operating near drop-offs.
- Do not operate machine under any condition where traction, steering, or stability is in question. Tires could slide even if the wheels are stopped.
- Always keep the machine in gear when going down slopes. Do not coast downhill.
- Mow up and down slopes, not across.
- Watch for holes, ruts, bumps, rocks, or other hidden objects. Uneven terrain could overturn the machine. Tall grass can hide obstacles.
- Do not mow near drop-offs, ditches or embankments. The machine could suddenly roll over if a wheel goes over the edge or if the edge caves in.
- Choose a low ground speed so you will not have to stop or shift while on a slope.
- Do not mow on wet grass. Tires may lose traction.
- Avoid starting, stopping, or turning on a slope. If the tires lose traction, disengage the blade(s) and proceed slowly straight down the slope.
- Keep all movement on slopes slow and gradual. Do not make sudden changes in speed or direction, which could cause the machine to roll over.
- Use extra care while operating machine with attachments; they can affect the stability of the machine. Do not use on steep slopes.
- If using the optional bagger kit, use extreme caution and operate the mower slowly when operating on slopes, as the bagging kit can change the stability of the mower.
- Always use the brakes when travelling down the slope. Do not attempt to let the mower coast downhill in neutral.
  - Always keep protective shields, covers and guards in place and securely fastened. If they become damaged, repair or replace immediately. Never modify or remove safety devices.

## 5 ELECTRICAL SYSTEM

### 5.1 ELECTRICAL SYSTEM SAFETY

- Remove key and batteries, and read owner's manual before adjusting or repairing unit.
- Always remove key and batteries before working on this unit.
- Always remove key and batteries when transporting unit.
- Keep unit free of grass clippings, leaves and other debris. DO NOT spray water to clean unit. Use only compressed air. Wear adequate eye and hearing protection when cleaning the unit.
- Always wear safety glasses and protective gear near battery. Use insulated tools.
- Clean battery compartment, drive motor compartment, mower deck, seat, etc., of all dirt and debris. Do not use solvents, hard cleaners or abrasives.
- With key in ON position, mower blade can engage when deck blades ON/OFF switch (PTO) is engaged, even if drive motor is not turning. Keep area clear of bystanders when engaging deck blade ON/OFF switch.
- All maintenance and storage areas should be properly ventilated in accordance with applicable fire codes and ordinances to avoid fire hazards.
- Never allow flames, sparks or smoking near batteries.
- Keep batteries out of reach of children.

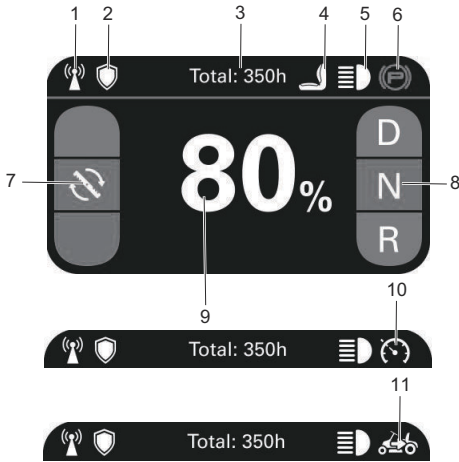
### 5.2 ELECTRICAL SYSTEM INFORMATION

The Cramer mower is powered by an 82-volt electrical system. It consists of the following components:

1. Blade and drive controller (1)
2. Blade motor (2)
3. Accelerator (1)
4. Digital display (1)
5. Wheel motor (1)
6. Battery compartment (1)

### 5.3 DIGITAL DISPLAY

The function of the digital display, located on the control panel, is to provide electrical system information to the operator. It gives detailed information in the form of pattern, codes and number.



#	Name	Function
3	Total : 350h	Vehicle working time
4		The seat switch is closed.
5		LED Lights
6		The parking brake is engaged.
7		Blade speed
8	D/N/R	Driving direction: Drive (D), Neutral (N) and Reverse (R).
9	80%	Battery percentage
10		Cruise control
11		Reverse mowing mode is activated.

#	Name	Function
1		4G GPS Signal
2		GreenShield

## 6 ERRORS

The CANBUS system will take action to protect the user and machine when it detects an issue. When it acts to turn off the machine or a component, it will indicate that an error has occurred, and that error will be shown on the digital display. All electrical errors have a letter code followed by a number. The first letter describes the system that caused the error according to this chart:

Name	Meaning
T	Driver Controller and motor
PMU	Power management unit (in the battery compartment)
ML	Left blade motor controller
MR	Right blade motor controller
V	Vehicle

## 6.1 ERROR CODE

Error Code	Description	Solution
T11	Overvoltage	The voltage is too high. Restart the power supply.
T12	Undervoltage	The voltage is too low. Charge the battery pack before use.
T13	Controller self-test error	If you encounter this issue, contact your distributor for a solution.
T14	Drive motor stalled	Check if the drive wheels are stuck and restart the power supply.
T15	Motor encoder error	Check that the Hall-effect connector of Drive controller is properly connected, and then restart the power supply.
T16	Controller driver circuit error	If you encounter this issue, contact your distributor for a solution.
T17	Drive part of controller overtemp	The controller temperature is too high. Wait for the controller to cool down, and then restart the power supply.
T18	Drive motor overheat	The motor temperature is too high. Wait for the motor to cool down, and then restart the power supply.
T21	Temperature sensor of the drive motor abnormal	Check the wiring of the temperature sensor for abnormalities.
T22	Drive part of controller hardware overcurrent	The load is too high. Restart the power supply.
T23	Pre-charge error	Restart the power supply.
T25	Drive software overcurrent	The load is too high. Restart the power supply.
T26	Drive MOS error	If you encounter this issue, contact your distributor for a solution.
T27	Motor phase loss	Check that motor cables of the Drive controller are connected properly, and then restart the power supply.
T28	Drive controller overtemp	The controller temperature is too high. Wait for the controller to cool down, and then restart the power supply.
V14	Reverse mowing operation sequence incorrect	Please press the reverse mowing button before reverse mowing.
V15	Vehicle self-test error	<ol style="list-style-type: none"> <li>1. Before starting the vehicle, check that the brake is in the engaged position.</li> <li>2. Before starting the vehicle, place the cutter switch in the off position and check that the cutter switch is connected properly.</li> <li>3. Before starting the vehicle, place the FNR gearstick in the N position.</li> <li>4. Check that the connector underneath the seat is connected properly.</li> <li>5. Do not press the cruise control button when starting the vehicle.</li> <li>6. Do not press the accelerator pedal when starting the vehicle.</li> </ol>
V16	Operation sequence incorrect	Return the accelerator and blade switch to their initial positions.
V17	SPI communication error	Restart the power supply.

Error Code	Description	Solution
V18	Battery compartment (PMU) failure	Check that the accelerator cables are connected properly and restart the power supply.
V22	blade signal abnormal	Check that the blade start switch is connected properly, and then return the switch to its initial position.
V21	PMU CAN communication error	Communication with the battery compartment timed out. Restart the power supply.
V23	Operator presence switch abnormal	Check that the connector under the seat is connected properly, and then restart the power supply.
ML3	Left blade software overcurrent	Check the mowing load and restart the power supply.
ML4	Left blade stalled	Check the mowing load and return the blade start switch to its initial position.
ML6	Left blade MOS error	If you encounter this issue, contact your distributor for a solution.
ML7	Left blade motor phase loss	Check that the blade controller and motor cables are connected properly, and then restart the power supply.
ML9	Left blade controller temperature abnormal	The controller temperature is too high. Wait for the controller to cool down, and then restart the power supply.
ML14	Left blade hardware overcurrent	Check the mowing load and restart the power supply.
ML15	Left blade failed to start	Check the mowing load and return the blade start switch to its initial position.
MR3	Motor lowspeed protection	Check the mowing load and restart the power supply.
MR4	Motor overspeed protection	Check the mowing load and return the blade start switch to its initial position.
MR6	Motor Hall-sensor error	If you encounter this issue, contact your distributor for a solution.
MR7	Controller phase loss	Check that the blade controller and motor cables are connected properly, and then restart the power supply.
MR9	MOSFET open circuit error	The controller temperature is too high. Wait for the controller to cool down, and then restart the power supply.
MR14	Controller undervoltage	Check the mowing load and restart the power supply.
MR15	Controller overvoltage	Check the mowing load and return the blade start switch to its initial position.
PMU10	Battery pack open circuit error	The temperature of the battery compartment and battery is too low. Use the machine at a suitable temperature and restart the power supply.
PMU11	PMU major error	The temperature of the battery compartment and battery is too high. Wait for the battery to cool down, and then restart the power supply.
PMU12	PMU secondary error	A major error in the battery compartment prevented the drive and blade systems from starting. Restart the power supply and try again.
PMU13	No battery pack available	Check that you are using the correct battery pack, and then restart the power supply.
PMU	Insufficient battery packs available, functionality may be limited.	Please insert more battery packs.

Error Code	Description	Solution
NA	Display communication error	Please check the display's connecting parts and CAN network.
	Incorrect display selected	Please select the correct display for your vehicle model

## 7 MAINTENANCE

### 7.1 MOWER BLADE MAINTENANCE

Check the mower blades daily. They are the key to power efficiency and well-groomed turf. Keep them sharp -- a dull blade will tear rather than cut the grass, leaving a brown ragged top on the grass within a few hours. A dull blade also requires more power. Replace any blade that is bent, cracked or broken.

#### ▲ WARNING

Never attempt to straighten a bent blade by heating, or weld a cracked or broken blade as the blade may break and cause serious injury. Replace worn or damaged blades.

#### ▲ WARNING

Never work with blades while key is in the ignition switch. Turn key to "OFF" position, remove the battery packs from the machine. Block up mower when you must work under it. Wear gloves when handling blades. Always check for blade damage if mower strikes a rock, branch or other foreign objects!

#### ▲ DANGER

Touch-up sharpening can be done with a file. Check the blades for balance following grinding. A commercial balancing tool is available through most hardware supply stores, or balancing can be done by placing the blade on an inverted line punch or 12.7mm (1/2") bolt. Blade should not lean or tilt. While spinning the blade slowly, it should not wobble. If blade is out of balance, true it up before reinstalling. Lay the blade on a flat surface and check for distortion. Replace any distorted blade.

#### ▲ WARNING

- The blade sail (curved part) must be pointing upward toward the inside of the deck to ensure proper cutting.
- When mounting blades, rotate them after installation to ensure blade tips do not touch each other or sides of the mower.
- Failure to correctly torque the bolt may result in the loss of the blade, which can cause serious injury.
- Mower blades are sharp and can cut. Wear gloves and use extra caution when servicing them.

#### 7.1.1 REPLACE THE BLADE

See figure 17

1. Stop the motor, remove the start key, and set the parking brake.
2. Raise the height of the cutting deck to its highest position to allow access to blades.

#### i NOTE

If necessary, raise the mower by placing on a lift or using a jack and jack stands, or remove the cutting deck as described in the previous section to gain access to the blades.

#### ▲ WARNING

If raising the mower to access the blades, make sure the mower is properly secured and the parking brake is set before proceeding. Failure to properly secure the mower could cause it to fall, resulting in death or possible serious personal injury.

3. Wedge a block of wood between the blade and mower deck to prevent the blade from turning.
4. Loosen the blade nut by turning it counterclockwise (as viewed from bottom of mower) using a 16 mm wrench or socket (not provided).

5. Remove the blade nut, spacer, blade insulator, and blade.
6. Thread the blade nut on the shaft and finger tighten.
7. Torque the blade nut down clockwise using a torque wrench (not provided) to ensure the bolt is properly tightened. The recommended torque for the blade nut is 90 N.m~100N.m (66~74 ft.lbs).

#### ▲ WARNING

Ensure blade is properly seated and the blade nut is tightened to the torque specifications above. Failure to properly attach the blade could cause it to come loose and result in possible serious personal injury.

8. Repeat with second blade, if needed.

#### i NOTE

Make certain all parts are replaced in the exact order in which they were removed.

## 7.2 REPLACE THE HEADLIGHT

See figure 18

Call customer service or visit our website online to order a new headlight.

1. Park the mower on a level surface and set the parking brake.
2. Stop the motor and remove the start key.
3. Remove and set aside the hex head screw and flat washer holding the mower floor panel in place.
4. Lift floor panel slightly to access the two hex head screws and flat washers securing the headlight in place. Remove screws and washers and set aside.
5. Unplug the old headlight and discard.
6. Plug in new headlight and reinstall washers and screws. Tighten securely.
7. Lower floor panel and reinstall washer and screw to secure.

## 7.3 TIRES

It is important for level mowing that all tires have the correct amount of air pressure. The recommended pressure are:

#### i NOTE

Tire pressure should only be measured or adjusted when tires are cold.

Drive wheels	8 psi
Front caster wheels	24 psi

#### i NOTE

Inspect the tires daily. Replace immediately if damaged.

#### ▲ WARNING

Check the tire pressure carefully while inflating. Too much air in the tire could cause the tire to burst, causing serious personal injury.

## 7.4 LUBRICATION

See figure 19

Please add oil before operation.

Oil type	SAE85W-140
Oil capacity	180 ml

Contact your Cramer dealer to replace the lubrication.

**i NOTE**

Replace the gearbox oil after you operate the machine for 50 hours for the first time, then replace the oil every 200 hours.

**7.5 TORQUE VALUES****▲ WARNING**

Particular attention must be given to tightening the drive wheel lug nuts and blade spindle bolts. Failure to correctly torque these items may result in the loss of a wheel or blade, which can cause serious damage or personal injury.

Torque values are given below:

Part	Ft.-lbs.	Nm
Wheel (lug) nuts	89	120
Blade spindle bolt	66	90

**Lug nuts only** -It is recommended that these be checked after the first 2 hours of operation, initially, every 100 hours and following removal for repair or replacement.

**7.6 BATTERY PACK MAINTENANCE**

Your Cramer mower is powered by a battery pack which, when maintained properly, will provide years of useful life. For proper care, adhere to the following instructions:

- Always charge batteries after each use.
- Whenever a battery pack is fully discharged and turned off, it is best to recharge the battery as soon as possible. Over-discharge of the battery pack means the battery life will be shortened and the battery may become permanently damaged. There is no need to fully charge; it will be beneficial even if you only charge the battery pack for 5-10 minutes. It is best to recharge it within 24 hours.
- Keep grass, dirt and debris from collecting near battery terminals and in battery area.
- Charge batteries indoors in a well-ventilated and dry location away from sparks or flames. Never expose charger to rain, vapor or liquid.
- Charge only lithium batteries provided by Cramer.
- Do not touch uninsulated portion of charger (terminal pins) or of output connector.
- Do not use with defective cords and wires. Replace defective cords and wires immediately.
- For long-term storage, please make sure the storage temperature is -20°C - 45°C within one month, and 0°C - 35°C between two and twelve months.
- The working environment of the battery pack is -20°C -55°C for discharge, and 0°C~55°C for charge.

**7.7 BATTERY COMPARTMENT FILTER MAINTENANCE**

Replace the battery compartment filter every 200 hours.

**7.8 SERVICE****i IMPORTANT**

Wait for all movement to stop before adjusting, cleaning or repairing. Repairs or maintenance requiring power should be performed by trained maintenance personnel only. Read and observe safety warnings in front of manual.

**i IMPORTANT**

Repairs or maintenance requiring power should be performed by trained maintenance personnel only.

- Park the mower on level ground. Make sure that steering control levers are in the neutral position, and that the PTO switch is in "OFF" position. Raise deck, rotate key to "OFF" position, remove key from switch and remove the battery packs from the battery compartment under the seat.



- Any maintenance operation that requires the removal of safety covers must be performed by a trained service technician.
- Use a stick or similar instrument to clean under the mower, making sure that no part of the body -- especially arms and hands -- is under mower.
- Keep your machine clean and remove any deposits of trash and clippings.
- Keep battery compartment, deck and operator's station clean of accumulated trash, grass clippings, and other debris.
- Clean battery compartment, drive motor compartment, mower deck, seat, etc., of all dirt and debris. To clean, use only compressed air. DO NOT use water, solvents, hard cleaners or abrasives.
- Always wear adequate eye protection when servicing the batteries or when grinding mower blades and removing accumulated debris. Never attempt to make any adjustments or repairs to the mower's drive system, mower deck or any attachment while the traction drive system is running. Repairs or maintenance requiring power should be performed by trained maintenance personnel only.
- Never work under the machine or attachment unless it is safely supported with jack stands. Make certain machine is secure when it is raised and placed on the jack stands.
- The jack stands should not allow the machine to move when the traction drive system is running and the drive wheels are rotating. Use only certified jack stands. Use only appropriate jack stands, with a minimum weight rating of 2000 pounds (907.2 kg) to block the unit up. Use in pairs only. Follow the instructions supplied with the vehicle stands.
- Do not touch hot parts of machine.
- Keep nuts and bolts tight, especially the blade attachment bolts. Keep equipment in good working condition.
- Never tamper with safety devices. Check their proper operation regularly.
- Turn the key to the "OFF" position before unlogging the discharge chute.
- Never clear the discharge chute with the machine running. Turn the key to the "OFF" position and be sure the blades have stopped before cleaning. Use a stick to clear a plugged discharge area. Never use your hand!
- Stop unit and allow blades to stop before unlogging chute. Grass collection system components are subject to wear, damage and deterioration, which could expose moving parts or allow objects to be thrown. Frequently check components and replace with manufacturer's recommended parts, when necessary.
- Exercise caution when working under the deck as the mower blades are extremely sharp. Wear gloves and use extra caution when servicing them.
- Use only genuine Cramer Mower parts to ensure that original standards are maintained.
- Always remove batteries when transporting unit. Keep unit free of grass clippings, leaves and other debris.
- Check brake operation frequently. Adjust and service as required.
- Maintain or replace safety and instruction labels, as necessary.
- Have your ride-on lawn mower serviced by a qualified repair person using only identical replacement parts. This will ensure that the safety of the ride-on lawn mower is maintained.
- Recharge only with the charger specified by the manufacturer. A charger that is suitable for one type of battery pack may create a risk of fire when used with another battery pack.

## 8 TRANSPORTATION AND STORAGE

### 8.1 TRANSPORTATION

#### ▲ WARNING

Use extra care when loading or unloading the machine into a trailer. Press the low speed drive button and carefully move the drive levers as needed to control the speed. Always back onto the trailer when loading. When loading or unloading the mower, do not exceed the maximum recommended operation angle of 15°. Failure to follow these instructions can result in loss of control and result in death, serious personal injury, or property damage.

#### ▲ WARNING

Use care when loading or unloading the mower onto a trailer. Ensure the cutting deck is raised to the highest position so that it is not caught on the ramp. The wheels on the mower can go off the ramp or trailer, causing the mower to pivot or tip over, and result in a crush hazard that can cause death or serious personal injury.

1. Park the mower on a level surface.
2. Raise the cutting deck to the highest position.
3. Position and secure ramp to the trailer according to manufacturer's instructions.

### i NOTE

We recommend you use one full width loading ramp that is at least 1 ft. wider than the mower to minimize the risk of the mower's wheels going off the side of the ramp.

4. Slowly back the mower onto the ramp and into the trailer.
5. Lower mower deck completely.
6. Set the parking brake.
7. Turn off mower and remove key.
8. Secure the mower as needed using straps or cables to prevent movement during transport.

### ▲ WARNING

To avoid accidental starting or movement that could result in serious personal injury, always remove the start key and set the parking brake when transporting the mower.

## 8.2 CLEAN AND STORAGE

### 8.2.1 CLEAN THE MACHINE

- Remove any build-up of grass and leaves on or around the motor cover (Do not use water from a high-pressure gun to flush the motor).
- Occasionally wipe the mower clean with a dry cloth.
- If debris builds up on the underside of the mower during use, stop the motor, turn off the machine, and scrape it clean using an appropriate tool.

### 8.2.2 CLEAN THE MOWER DECK

See *figure 20*

- Set the parking brake into the parking slots.
- Adjust the mower deck height to the lowest.
- Attach the supplied wash-port quick-coupler to garden hose.
- Attach garden hose with quick-coupler to wash port on the mower deck. The wash port is on the left side of the mower deck.
- Turn on the water.
- Pull the PTO switch to start the mower cutting blades and adjust the blade speed to the highest.
- Flush water under the deck for approximately one minute.
- Disengage the mower blades by pushing the PTO switch downward.
- Turn off the water and remove garden hose and quick-coupler from wash port.
- Remove quick-coupler from garden hose and store for future use.
- Turn off the mower completely.

### 8.2.3 STORE THE MACHINE

The following steps should be taken in order to prepare the machine for storage.

- Clean the machine as described in the previous section.
- Inspect the blade and replace it or sharpen it, if required (refer to the Maintenance section).
- Do not store the machine next to corrosive materials, such as fertilizer or rock salt.
- Keep the machine out of the reach of children.
- Do not cover the machine with a solid plastic sheet. Plastic coverings trap moisture around the machine, which causes rust and corrosion.
- Check thoroughly for any worn or damaged parts that need replacing and order them from your dealer.
- Please contact service center to thoroughly lubricate machine.
- Fully charge and service the batteries.

- Do not deflate tires.
- The machine should be stored in a well-ventilated, clean and dry place as the battery charger cannot be used in a wet environment.
  - Always keep the batteries fully charged. It is especially important to prevent battery damage when the temperature is below 32°F (0°C).
  - Attach the charger adapter to the charging port and the batteries per the Charging Adapter section in the Electrical System section.
  - Plug the charger into a proper electrical outlet. Refer to Battery Charger, Battery Charging and Charging Recommendations portions of the Electrical System section for more details on using the charger and charging the batteries.
  - To maximize battery life it is best to fully charge batteries shortly after each use.

#### **8.2.4 PREPARE FOR USE AFTER STORAGE**

The following steps should be taken before using the mower after it has been stored:

- Fully charge the batteries.
- Check tire pressure and inflate as needed.
- Briefly drive the mower and check all systems and components to ensure they are functioning correctly.

## 9 TROUBLESHOOTING

PROBLEM	POSSIBLE CAUSE	SOLUTION
Vehicle won't move.	The battery compartment is not inserted into the battery pack or not Cramer designated battery pack.	To ensure the normal operation of the vehicle, at least 1 piece of Cramer designated battery pack products should be placed in the battery compartment.
	Battery pack is not charged.	Check the battery pack power.
	No one is sitting on the seat or the operator presence switch is not closed.	Make sure the driver is sitting on the seat.
	The parking brake is engaged.	Make sure you fully disengage the park brake, so the wheels can rotate freely.
	The battery compartment is in dormant state.	Turn the key switch to OFF gear and wait for more than 5 seconds before restarting the machine.
Sudden breakdown during driving	Battery is not charged.	To ensure the normal operation of the whole vehicle, it is necessary to place at least 1 piece of Cramer designated battery pack products in the battery compartment and ensure that the battery pack has power.
	Rough and bumpy roads, resulting in disconnection of the operator presence switch.	Set the parking brake, and restart the machine and push the joystick.
	Gas pedal failure.	Contact Cramer after-sales service staff..
	Drive controller failed.	Contact Cramer after-sales service staff..
The blade does not operate after pulling the PTO switch.	The battery compartment is not inserted in the battery pack specified by Cramer.	To ensure the normal operation of the whole vehicle, it is necessary to place at least 1 piece of Cramer designated battery pack products in the battery compartment and ensure that the battery pack has power.
	The battery power is lower than 5%.	Check the battery pack power, if the battery power is low, charge the battery.
	The operator presence switch is not closed.	Ensure the driver is sitting on the seat.
	The blade switch (PTO) is not in the initial position before power on.	Press the PTO and pull it up again.
	Blade motor blocking or other functional protection.	Check that there are no weeds and other foreign objects at the connection between the blade and the motor to ensure smooth blade rotation. It is recommended to pull up the deck and start the blade before adjusting the deck to required gear.
	Walking controller is malfunctioning.	Ensure that there is no other error shown on display.
The blade stops when mowing grass.	Blade controller is malfunctioning.	Check the error code appearing on the display.
	Blade motor overload.	Clean the inside of the deck, make sure there is no abnormal blade rotation, press the PTO, restart the machine and reduce the blade load, either by raising the height of the cutting deck or reducing the driving speed.
	Battery pack temperature is too high.	Do not use it immediately after charging is completed, otherwise it may trigger the battery pack temperature protection error.
	The battery power is lower than 5%.	The battery pack power is low, please charge the battery.

PROBLEM	POSSIBLE CAUSE	SOLUTION
	The blade is hit by a foreign object, causing a sudden stop.	Turn the key to OFF position and wait for more than 5 seconds before restarting the machine.
	Drive controller is malfunctioning.	Check the error code appearing on the display.
The mower cuts the grass unevenly, and the height difference is very large.	The blade is blunt.	Polish the blade according to the manual.
	Blade is bent.	Replace the bending blade, replace the blade in accordance with the instructions, and wear protective gear.
	Deck is not flat.	Flatten the deck according to the instructions to ensure that the left and right heights are equal.
The actual mowing height does not match the marked mowing height chosen.	Loose fixing bolts of deck.	Adjust the fixing bolts of deck to ensure that it is firmly installed. Note: the deck needs to be re-leveled after adjusting the mounting bolts.
	The deck has been seriously worn or damaged.	Replace a new deck.
Abnormal vehicle shredding	The lawn is too wet.	Before cutting, please check the grass condition. If the grass is too wet, please wait for the wind to dry or sunshine, wait for the lawn dew to dissipate before cutting.
	The mower is set to cut too much grass at one time.	If the grass is too dense and high, please raise the deck and avoid cutting heavy grass as much as possible.
Excessive machine vibration	Blades are loose.	Polish the blade according to the method in the manual.
	Blades are bent.	Replace the bending blade, pay attention to the correct replacement of the blade in accordance with the instructions, and wear protective gloves.
	Uneven deck.	Flatten the deck according to the instructions to ensure that the left and right heights are equal.
	Loose deck.	Lock the fixed bolts of the deck.
	The mower is set to cut too much grass at one time.	If the grass is too dense and high, please raise the deck, try to avoid cutting heavy grass.
Grass leaves or debris left on the ground after mowing.	The mower is set to cut too much grass at one time.	If the grass is too dense and high, please raise the deck, if the grass is higher than 15cm, please use two mowing cycles to achieve the mowing effect, try to avoid cutting heavy grass.
	The grass is too wet.	Please check the grass condition before mowing, if the grass is too wet, please wait for the wind to dry or sunshine, wait for the lawn dew to dissipate before mowing.
	Driving speed is too fast.	Lower the driving speed.
	Blade cutting speed is too low.	Increase the speed level of blade.
Short mowing duration	Mowing heavy grass may result in short mowing duration.	Raising the deck or decreasing the speed of blade can increase the mower's usage time on one charge.
Mower runaway	Different tire pressure	Check the rear tire pressure of the mower regularly according to the manual.
Vehicle won't start after washing.	Improper cleaning, such as water into the LED screen, battery compartment and other electronic components parts.	<ol style="list-style-type: none"> <li>1. Please follow the instructions to clean the machine.</li> <li>2. If the vehicle is accidentally drenched, please put the vehicle in a dry place for 12h or blow dry before use.</li> <li>3. Contact Cramer after-sales service staff..</li> </ol>
The mower is blocked.	Weeds and garbage piled up on the deck.	Please follow the instructions to clean the machine each time after you use the machine.

PROBLEM	POSSIBLE CAUSE	SOLUTION
In park, the machine slides rapidly on the slope and skids.	Severe tire wear.	Contact the after-sales personnel to replace the tires.
	The electromagnetic brake is damaged or terribly worn.	Contact the after-sales personnel to replace the electromagnetic brake.
	Electromagnetic brake is manually released.	Check the electromagnetic brake and reset it to the initial position.

## 10 TECHNICAL DATA

Model No.	82LT107
Voltage	82 V
Gross vehicle weight	106±3 kg
Length	170 cm
Height	117 cm
Width (with discharge)	135 cm
Width (without discharge)	107 cm
Deck width	107 cm
Forward speed	0-8 mph
Reverse speed	0-3 mph
Cutting height range	3.81-11.4 cm
Cutting height adjustment level	7 pcs
No load speed	2400/3000/3200 RPM
Charging time	4 h (with 8 A charger)
Motor power	1.2 kW (blade motor) 1.2 (drive motor)
MAX slope handling	15°
Number of blades (discharge/mulch)	2 pcs
Measured sound pressure level	$L_{pA} = 84.77 \text{ dB(A)}$ , $K_{pA} = 3 \text{ dB(A)}$
Measured sound power level	$L_{wA} = 98.24 \text{ dB(A)}$
Guaranteed sound power level	$L_{wA,d} = 100 \text{ dB(A)}$
Vibration	Arms: $\leq 2.5 \text{ m/s}^2$ , $K = 1.5 \text{ m/s}^2$ Body: $\leq 2.5 \text{ m/s}^2$ , $K = 1.5 \text{ m/s}^2$

## 11 LIMITED WARRANTY

### 11.1 WHAT IS COVERED BY THIS WARRANTY

Cramer makes the following warranty to the original purchaser ("Owner") only - warranty is non-transferable:

**A. Residential Use:** Cramer product used for normal residential purposes\* are warranted for five (5) years or 1,500 hours total usage (whichever comes first) from date of purchase on all materials and workmanship of chassis, deck and batteries. Consumables such as tires and blades are warranted for thirty (30) days from the date of purchase. If the Owner discovers within this warranty period a defect in materials or workmanship:

- Owner must promptly notify Cramer or an authorized dealer in writing or via email, phone call, app or in person of the defect. In no event shall such notification be received by Cramer, or an authorized dealer, later than five (5) years from the date of purchase.
- Within a reasonable time after such notification, and verification of warrantable defect; Cramer will correct any defect in material or workmanship on the Cramer product by, at its option, repairing or replacing part(s) with either new or used replacement parts.
- Such repair, including parts and labor, shall be at the expense of Cramer to the original Owner only.

**B. Commercial Use:** Cramer product used for commercial and institutional use are warranted for five (5) years or 1,500 hours total usage (whichever comes first) from date of purchase on all materials and workmanship of chassis, deck, and batteries. Consumables (including but not limited to tires and blades) are warranted for thirty (30) days from the date of purchase. If the Owner discovers within this warranty period a defect in materials or workmanship:

- Owner must promptly notify Cramer or an authorized dealer in writing, via email, phone call, app or in person of the defect. In no event shall such notification be received by Cramer, or an authorized dealer, later than five (5) years from the date of purchase.
- Within a reasonable time after such notification and verification of warrantable defect Cramer will correct any defect in material or workmanship on the Cramer product by, at its option, repairing or replacing part(s) with either new or used replacement parts.
- Such repair, including parts and labor, shall be at the expense of Cramer to the original Owner (commercial) only.

### i NOTE

Failure to properly maintain batteries and keep them fully charged will reduce battery life and will void the battery warranty. The provisions of this limited warranty shall not apply to failure due to:

- Abuse or neglect such as: water damage, loose wiring or rusted or corroded hardware.
- Lack of proper maintenance; damage caused by improper installation of the battery; neglect, breakage, exposure to extreme temperature conditions including but not limited to freezing temperatures, hot temperatures, proximity to heat sources including warmers or fire, exposure to water or other substances, wreckage, operation of the battery in an overcharged or uncharged condition.
- A battery charged by systems other than the original equipment type battery charger.

**Footnote:** *“Normal residential purposes”, as used herein, means use of Product on same lot as your home. Use at more than one location is considered commercial use, after which the commercial use warranty would apply.*

## 11.2 WHO MUST PERFORM THE WARRANTY SERVICE

All warranty service shall be performed by a Cramer authorized dealer or Cramer authorized service technician. Service calls and/or transportation expense of the product to and from the authorized dealer, for warranty work, will be paid by the owner of the product. For warranty service, contact an authorized dealer.

## 11.3 WHAT IS NOT COVERED BY THIS WARRANTY

Cramer does not warranty:

- Repairs made by unauthorized persons.
- Damage caused by use of the Cramer product for purposes other than those for which it was designed.
- Damages caused by disasters such as fire, flood, wind, and lightning.
- Damages caused by neglect, abuse, abnormal use, improper or unreasonable use, accident, negligence, or misuse such as water damage.
- Repairs or replacement resulting from the use of unauthorized parts, accessories, or attachments.
- Repairs or replacement as the result if any alterations or modifications, in the determination of Cramer, which adversely affects the operation, performance or durability of the equipment.
- Products, components, or parts not manufactured by Cramer.
- Products that have had their identification altered, including but not limited to serial numbers removed and/or made illegible.
- Depreciation or damage caused by normal wear, lack of reasonable and proper maintenance, failure to follow the product's owner's manual operating, maintenance and adjustment instructions or other operational instructions provided by Cramer.
- Normal maintenance parts and service including, but not limited to, lubricants, tune-up parts, blades, blade sharpening, bearings, brake or steering adjustments.

- Products with unapproved programming for that product including alterations to parameters, aftermarket programming or adjustments, or any unapproved modification to components, electronics, or software.

#### **11.4 DISCLAIMER OF WARRANTY**

The foregoing warranties are in lieu of all other warranties, expressed or implied, including but not limited to the implied warranties of merchantability and fitness for a particular purpose. However, if the Cramer Product is purchased as a consumer product, any implied warranty of merchantability or fitness for a particular purpose is limited to the duration of this limited warranty. Some states do not allow limitations on how long an implied warranty lasts, so the above limitation may not apply to you. This warranty gives you specific legal rights, and you may also have other rights which vary from state to state.

#### **11.5 LIMITATION OF REMEDIES**

In no case shall Cramer be liable for any special, incidental, or consequential damages based upon breach of warranty, breach of contract, negligence, strict liability in tort, or any other legal theory. Such damages include, but are not limited to:

- Loss of profits
- Loss of savings or revenue
- Loss of use of the Cramer Product or any associated equipment
- Cost of capital
- Cost of any substitute equipment, facilities, services or downtime
- The claims of third parties, including customers, and injury to property

#### **11.6 TIME LIMIT**

Unless State law determines otherwise:

Any action for breach of warranty must be commenced within five (5) years or sixty (60) months from the date of purchase in a residential and/or commercial application.

In the event the date of manufacture exceeds a reasonable timeframe preceding first customer purchase, Cramer warranty may be subject to additional limitations.

#### **11.7 NO OTHER WARRANTIES**

This agreement is understood to be the complete and exclusive agreement between the parties, superseding all prior agreements, oral or written, and all other communications between the parties relating to the subject matter of this agreement.

#### **11.8 OWNER'S RESPONSIBILITY**

You must maintain your Cramer Product following the maintenance procedures described in your owner's manual. Such routine maintenance, whether performed by a dealer or by you, is at your expense.

This machine, like any other powered equipment, is potentially dangerous unless properly operated. Any operator must be cautious and always keep safety in mind. Any operator, prior to using the Cramer Product, should thoroughly familiarize themselves with the owner's manual regarding operation and safety of the machine, as well as all safety warnings on the machine itself.

#### **11.9 ALLOCATION OF RISKS**

This agreement allocates the risks of product failure between Cramer and the Owner. This allocation is recognized by both parties and is reflected in the price of the goods.

#### **11.10 WARRANTY REGISTRATION**

Unless State law determines otherwise:

1. Owners must register the unit with Cramer within ten (10) days following date of purchase.
2. Registration can be completed by filling out the Warranty Registration Form, which is provided in the operator manual.
3. Registration can also be completed by using forms online at [cramertools.com](http://cramertools.com) or by using the app and providing proof of purchase (receipt including date of purchase).



## 12 EC DECLARATION OF CONFORMITY

Name and address of the manufacturer:

Name: Greenworks Tools Europe GmbH  
Address: Brunnenweg 17, 64331 Weiterstadt, Germany

Name and address of the person authorised to compile the technical file:

Name: Ralf Pankalla  
Address: Brunnenweg 17, 64331 Weiterstadt, Germany

Herewith we declare that the product

Category: Lawn Tractor  
Model: 82LT107  
Serial number: See product rating label  
Year of Construction: See product rating label

- is in conformity with the relevant provisions of the Machinery Directive 2006/42/EC.
- is in conformity with the provisions of the following other EC-Directives:
  - 2014/30/EU
  - 2011/65/EU & (EU)2015/863

Furthermore, we declare that the following (parts/clauses of) European harmonised standards have been used:

- EN 62841-1, EN ISO 5395-1, EN ISO 5395-3, EN ISO 14982, IEC 62321-3-1, IEC 62321-4, IEC 62321-5, IEC 62321-6, IEC 62321-7-1, IEC 62321-7-2, IEC 62321-8

Place, date: 11.11.2022

Signature: Ted Qu, Quality Director



<b>1</b>	<b>Beschreibung.....</b>	<b>27</b>	7.5	Drehmomentwerte.....	40
1.1	Übersicht.....	27	7.6	Wartung des Akkupacks.....	41
1.2	Bedienfeld.....	27	7.7	Wartung des Akkufachfilters.....	41
<b>2</b>	<b>Maschine auspacken.....</b>	<b>28</b>	7.8	Service.....	41
<b>3</b>	<b>Montage.....</b>	<b>28</b>	<b>8</b>	<b>Transport und Lagerung.....</b>	<b>42</b>
3.1	Installation des Sitzes.....	28	8.1	Transport.....	42
3.2	Das Lenkrad montieren.....	28	8.2	Reinigung und Lagerung.....	43
3.3	Mulchabdeckung montieren.....	29	<b>9</b>	<b>Fehlerbehebung.....</b>	<b>45</b>
3.4	Mähwerksrollen.....	29	<b>10</b>	<b>Technische Daten.....</b>	<b>48</b>
3.5	Die App verwenden.....	29	<b>11</b>	<b>Garantiebestimmungen.....</b>	<b>48</b>
<b>4</b>	<b>Betriebsanweisungen.....</b>	<b>29</b>	11.1	Was wird durch diese Garantie abgedeckt.....	48
4.1	Vor der Bedienung.....	29	11.2	Wer erbringt die Garantieleistung.....	49
4.2	Bedienung der Maschine.....	31	11.3	Was von dieser Garantie nicht abgedeckt ist.....	49
<b>5</b>	<b>Elektrisches System.....</b>	<b>33</b>	11.4	Ausschluss der Gewährleistung.....	50
5.1	Sicherheit der elektrischen Anlage.....	33	11.5	Begrenzung der Rechtsmittel.....	50
5.2	Informationen zum elektrischen System..	34	11.6	Zeitliche Begrenzung.....	50
5.3	Digitale Anzeige.....	34	11.7	Keine weiteren Garantien.....	50
<b>6</b>	<b>Fehler.....</b>	<b>35</b>	11.8	Verantwortung des Eigentümers.....	50
6.1	Fehlercode.....	36	11.9	Aufteilung der Risiken.....	50
<b>7</b>	<b>Wartung und Instandhaltung....</b>	<b>38</b>	11.10	Garantieregistrierung.....	50
7.1	Wartung der Mähklingen.....	38	<b>12</b>	<b>EG-Konformitätserklärung.....</b>	<b>51</b>
7.2	Den Scheinwerfer ersetzen.....	39			
7.3	Reifen.....	40			
7.4	Schmierung.....	40			

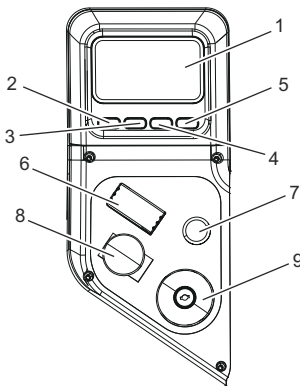
## 1 BESCHREIBUNG

### 1.1 ÜBERSICHT

Siehe separates Abbildungsblatt 1-20

- |   |  |
|---|--|
| <p>1 Hebel zur Sitzverstellung</p> <p>2 Seitenauswurfschacht</p> <p>3 Bremspedal</p> <p>4 Bedienfeld</p> <p>5 Hebel zur Höhenverstellung des Mähwerks</p> <p>6 Gaspedal</p> <p>7 Griff der Feststellbremse</p> <p>8 Scheinwerfer</p> <p>9 Becherhalter</p> <p>10 USB-Anschluss</p> <p>11 Mähwerksrollen</p> <p>12 Sitzplatte</p> <p>13 Sitzstopfen</p> <p>14 Lenkwelle</p> <p>15 Verbindungsstück</p> | <p>16 Lenksäule</p> <p>17 Lenkrad</p> <p>18 Abdeckplatte</p> <p>19 Mulchabdeckung</p> <p>20 Lagerring</p> <p>21 Befestigungsklammern</p> <p>22 Seriennummer</p> <p>23 Kopplungscode</p> <p>24 QR-Code</p> <p>25 Akkufach</p> <p>26 Akkupack</p> <p>27 Akkuverriegelung</p> <p>28 Messer</p> <p>29 Öleinfüllöffnung</p> <p>30 Ölablassöffnung</p> <p>31 Gartenschlauch</p> <p>32 Schnellkupplung</p> <p>33 Waschanschluss</p> |
|---|--|

### 1.2 BEDIENFELD



#	Name	Funktion
2	Drehzahlregelung des Klingenmotors / Rücklauf	Stellt auf dem Startbildschirm die Messerdrehzahl (zyklisch) ein. Drücken Sie die Taste, um zur vorherigen Seite zurückzukehren.
3	Menüführung / Bild nach oben	Die digitale Anzeige geht zur letzten Seite. Zurück zum Startbildschirm.
4	Lampenschalter / Bild nach unten	Schaltet die Lampen auf dem Startbildschirm ein/aus. Die digitale Anzeige geht zur nächsten Seite.
5	Fahrsteuer-taste / Be-tätigen	Halten Sie die Taste 0,4 Sekunden lang gedrückt, um die Fahrsteuerung zu aktivieren, und drücken Sie die Taste, um zu bestätigen.
6	Richtungs-schalter	Die Bewegungsrichtung des Mähers wird mithilfe des Richtungsschalters gesteuert. Die verfügbaren Einstellungen sind Antrieb (D), Neutral (N) und Rückwärts (R).
7	Rückwärts-mähtaste	Um rückwärts zu mähen, muss die Taste für das Rückwärtsmähen aktiviert werden.
8	Ein/Aus-Schalter	Der Schalter wird zum Ein- und Ausschalten des Mähers verwendet. Der Startschlüssel muss eingesteckt sein, bevor der Schalter betätigt werden kann.
9	Mähwerks-klingen Ein/Aus-Schalter (PTO)	Der Schalter schaltet die Klingenmotoren ein. Ziehen Sie den Schalter nach oben, um die Motoren zu aktivieren und drücken Sie ihn nach unten, um sie zu deaktivieren.

### i WICHTIG

Schalten Sie die Klingenmotoren niemals ein, wenn das Mähwerk unter Last steht. Motoren oder Mähwerk könnten beschädigt werden.

#	Name	Funktion
1	Digitale Anzeige	Diese Anzeige zeigt wichtige Informationen über das elektrische System an. Vollständige Informationen finden Sie im Abschnitt über die Elektrik.

## DE 2 MASCHINE AUSPACKEN

### ▲ WARNUNG

Vergewissern Sie sich, dass Sie die Maschine vor dem Gebrauch richtig montiert haben.

### ▲ WARNUNG

- Bei beschädigten Maschinenteilen dürfen Sie die Maschine nicht verwenden.
- Bei fehlenden Teilen dürfen Sie die Maschine nicht verwenden.
- Wenn Teile beschädigt sind oder fehlen, wenden Sie sich an die Servicestelle.

1. Öffnen Sie die Verpackung.
2. Lesen Sie die beiliegende Dokumentation.
3. Entnehmen Sie alle unmontierten Teile aus dem Karton.
4. Nehmen Sie die Maschine aus dem Karton.
5. Entsorgen Sie den Karton und das Verpackungsmaterial gemäß den örtlichen Vorschriften.

### ▲ WARNUNG

Zu Ihrer eigenen Sicherheit dürfen Sie den Akkupack nicht einsetzen, bevor das Werkzeug vollständig zusammengebaut ist.

## 3 MONTAGE

### 3.1 INSTALLATION DES SITZES

Siehe Abbildung 3

1. Setzen Sie die Sitzbaugruppe auf die Sitzplatte und richten Sie die Löcher wie gezeigt aus.
2. Montieren Sie die Schrauben, Unterlegscheiben und Muttern und ziehen Sie sie fest an.
3. Befestigen Sie die Hülsen an den Muttern.
4. Stellen Sie sicher, dass er fest sitzt.
5. Schließen Sie den Sitzstecker an die Maschine an.

### 3.2 DAS LENKRAD MONTIEREN

Siehe Abbildung 4-5

### i HINWEIS

Achten Sie darauf, dass der Schlitz zum Sitz nach oben zeigt.

1. Setzen Sie die Lenkwelle in die Kupplung ein und drehen Sie sie, um das Loch in der Welle mit dem Bolzenloch in der Kupplung auszurichten.
2. Setzen Sie zwei Schrauben ein und ziehen Sie sie fest an.

### i HINWEIS

Ziehen Sie die Schrauben mit dem angegebenen Wert an.

3. Montieren Sie die Lenksäule. Achten Sie auf die Laschen an der Unterseite der Lenksäule, die in die Löcher in der Öffnung passen, und stellen Sie sicher, dass die Lenksäule sicher fest sitzt.
4. Stellen Sie sicher, dass das Rad des Mähers geradeaus zeigt, und setzen Sie dann das Lenkrad mit Kraft auf die Lenksäule.
5. Setzen Sie die Schraube und die Unterlegscheibe ein und ziehen Sie sie fest an.
6. Montieren Sie die Lenkradabdeckplatte.

## 3.3 MULCHABDECKUNG MONTIEREN

Siehe Abbildung 6

Der Mäher ist bei Auslieferung für den Seitenauswurf konfiguriert. Wenn Sie mulchen möchten:

1. Setzen Sie die Mulchabdeckung auf die Lasche am Mähergehäuse.
2. Richten Sie die Löcher in der Mulchabdeckung und die Löcher im Mähergehäuse aus.
3. Bringen Sie die Bolzen, Schrauben, Befestigungsklammern und den Lagerring wie gezeigt an und ziehen Sie sie fest.

## 3.4 MÄHWERKSROLLEN

Siehe Abbildung 2

Mähwerksrollen gehören zur Standardausrüstung von Cramer. Diese Mähwerksrollen wurden entwickelt, um das Einschneiden in raues, unebenes Gelände beim Mähen zu minimieren. Stellen Sie nach der Einstellung der Schnitthöhe die Mähwerksrollen so ein, dass sie unter das Mähwerk ragen, aber nicht den Boden berühren. Sie sollten immer mindestens 0,6 cm bis 1,9 cm unter dem Mähwerk liegen. Wenn das Gerät auf einer ebenen Fläche steht, kann die Position des Rads je nach Bedarf von 1,9 cm bis 4,4 cm unter der Messeroberfläche nach oben oder unten eingestellt werden. Bewegen Sie die Räder nach oben oder unten - unter Verwendung der verschiedenen Achsbefestigungslöcher in der Radhalterung (falls für das Modell zutreffend).

## 3.5 DIE APP VERWENDEN

Siehe Abbildung 7-8

1. Besuchen Sie die Website von Fleet Management: [fleet.cramertools.com](http://fleet.cramertools.com)
2. Erstellen Sie ein Konto und melden Sie sich dann an.
3. Laden Sie andere Benutzer Ihrer Organisation ein.
4. Scannen Sie den QR-Code, laden Sie die App herunter und melden Sie sich an.
5. Fügen Sie ein Gerät hinzu. Suchen Sie die Seriennummer, den Kopplungscode und den QR-Code auf dem Etikett des Fahrzeugs in diesem Handbuch. Scannen Sie den QR-Code oder geben Sie ihn manuell ein.

# 4 BETRIEBSANWEISUNGEN

## 4.1 VOR DER BEDIENUNG

### 4.1.1 EINSTELLEN DES SITZES

Siehe Abbildung 9

Stellen Sie die Sitzposition so ein, dass Sie das Gas- und Bremspedal fest im Griff haben, bevor Sie den Mäher bedienen.

1. Setzen Sie sich auf den Sitz und heben Sie den Hebel zur Sitzverstellung an.
2. Während Sie den Hebel festhalten, schieben Sie den Sitz in die gewünschte Position.
3. Lassen Sie den Hebel los und vergewissern Sie sich, dass der Sitz in seiner Position eingerastet ist, bevor Sie den Mäher bedienen.

## ▲ WARNUNG

Vergewissern Sie sich, dass der Sitz eingerastet ist, bevor Sie den Mäher bedienen. Ein nicht eingerasteter Sitz kann dazu führen, dass der Bediener die Kontrolle über den Mäher verliert, was zu schweren Verletzungen bis hin zum Tod führen kann.

### 4.1.2 EINSTELLEN DER SCHNITTHÖHE DES MÄHWERKS

Siehe Abbildung 10

Stellen Sie vor dem Einsatz des Mähers die Mähwerkhöhe auf die für Ihren Rasen am besten geeignete Position ein.

Die Mähwerkhöhe ist von 3.81-11.4 cm einstellbar. Das Mähwerk sollte während des Mähens angehoben werden, um Stümpfe, Felsen oder andere Hindernisse zu vermeiden, die das Mähwerk beschädigen könnten.

## ▲ VORSICHT

Halten Sie den Hebel zur Höhenverstellung des Mähwerks beim Einstellen der Mähwerkshöhe fest und lassen Sie ihn erst los, wenn er sicher in der gewünschten Position steht. Ein schnelles Loslassen des Hebels kann eine Quetsch- oder Reißgefahr für die Hand des Bedieners darstellen.

1. Halten Sie den Mäher an und stoppen Sie den Mähmotor.
2. Drehen Sie den Schlüssel in die Position AUS und ziehen Sie die Feststellbremse an.
3. Um das Mähwerk anzuheben, greifen Sie den Hebel zur Höhenverstellung des Mähwerks, drücken Sie ihn nach links, um ihn aus dem Schlitz zu lösen, bewegen Sie ihn in Richtung der Rückseite des Mähers und drücken Sie ihn dann nach rechts in den Schlitz, um ihn einzurasten.
4. Um das Mähwerk abzusenken, greifen Sie den Hebel zur Höhenverstellung des Mähwerks, drücken Sie ihn nach links, um ihn aus dem Schlitz zu lösen, bewegen Sie ihn in Richtung der Vorderseite des Mähers und drücken Sie ihn dann nach rechts in den Schlitz, um ihn einzurasten.

### 4.1.3 AKKUPACK EINSETZEN

Siehe Abbildung 11

Um zu überprüfen, ob die Akkus des Mähers vollständig geladen sind, prüfen Sie die Ladestandsanzeige. Für weitere Informationen siehe das Handbuch des Akkus.

1. Heben Sie die Sitzplatte an.
2. Heben Sie die Abdeckung des Akkufachs an.
3. Setzen Sie den Akkupack in das Akkufach ein.

## ▲ WARNUNG

Richten Sie die Rippen des Akkus am Akkuanschluss aus. Vergewissern Sie sich, dass die Akkuverriegelung leicht in das Akkufach einrastet.

### 4.1.4 VOR DER INBETRIEBNAHME DER MASCHINE

- Stellen Sie sicher, dass sich weder Kinder, Unbeteiligte noch Tiere im Arbeitsbereich aufhalten.
- Räumen Sie den Arbeitsbereich von Gegenständen frei, die von den Mähklingen weggeschleudert werden könnten.
- Prüfen Sie die Funktion der Bremsen.
- Prüfen Sie den Reifendruck.
- Prüfen Sie auf lose Verschlüsse.
- Vergewissern Sie sich, dass alle Schutzabdeckungen angebracht sind und ordnungsgemäß funktionieren.
- Reinigen Sie den Mäher von Mähresten.
- Prüfen Sie das Sicherheitsverriegelungssystem.
- Stellen Sie den Sitz in die gewünschte Position.
- Überprüfen Sie den Ladezustand des Akkus.

### 4.1.5 SICHERHEITSVERRIEGELUNGSSYSTEM

Siehe Abbildung 12

Dieser Mäher ist mit einem Sicherheitsverriegelungssystem ausgestattet, das den Bediener schützt, indem es die Klingen ausschaltet, wenn der Bediener den Sitz bei laufenden Klingen verlässt. Testen Sie das System vor jeder Verwendung, um sicherzustellen, dass es ordnungsgemäß funktioniert.

1. Vergewissern Sie sich, dass der Richtungsschalter auf Neutral (N) steht und der PTO-Schalter unten ist.
2. Stecken Sie den Startschlüssel ein und drehen Sie ihn in die Position ON.
3. Lösen Sie die Feststellbremse.
4. Heben Sie den PTO-Schalter an, um die Klingen zu aktivieren.
5. Heben Sie den Sitz kurz an, steigen Sie aber nicht vom Mäher ab.

Die Klingen sollten sich innerhalb von 5 Sekunden abschalten. Wenn nicht, wenden Sie sich an den Kundendienst. Betreiben Sie den Mäher nicht, bevor das Sicherheitsverriegelungssystem repariert ist.

## 4.2 BEDIENUNG DER MASCHINE

### 4.2.1 MASCHINE STARTEN

#### **i HINWEIS**

Schicken Sie Unbeteiligte vom Bereich, bevor Sie den Mäher bedienen. Wenn jemand den Mähbereich betritt, halten Sie sofort an und mähen erst weiter, wenn die Unbeteiligten den Bereich verlassen haben.

1. Heben Sie das Mähwerk in seine höchste Position.
2. Stecken Sie den Startschlüssel ein und drehen Sie ihn in die Position ON.
3. Drücken Sie den Richtungsschalter in die Neutralstellung (N).
4. Lösen Sie die Feststellbremse.
5. Ziehen Sie den PTO-Schalter für das Mähwerk nach oben, um die Mähklingen zum Mähen zu starten.
6. Drücken Sie den Richtungsschalter in die Antriebsposition (D) und fahren Sie zur gewünschten Mähstelle.

#### **i HINWEIS**

Seien Sie vorsichtig beim Überqueren von Schotterwegen oder Einfahrten. Schalten Sie vor der Überfahrt die Klingen aus und heben Sie das Mähwerk in die höchste Position an, um das Risiko des Abpralls zu minimieren. Fahren Sie langsam, um einen Traktions- und Kontrollverlust zu vermeiden.

#### **i HINWEIS**

Versuchen Sie nicht, die Fahrtrichtung zu ändern, während der Mäher in Bewegung ist. Halten Sie immer vollständig an, bevor Sie die Richtung des Mähers ändern.

### 4.2.2 DIE FAHRSTEUERUNG EINSTELLEN

1. Während Sie den Mäher vorwärts fahren, drücken Sie das Gaspedal, bis die gewünschte Geschwindigkeit erreicht ist.
2. Drücken Sie die Fahrsteuertaste und halten Sie sie über 0,4 sec lang gedrückt.
3. Lassen Sie den Druck auf das Gaspedal nach. Die Mähgeschwindigkeit sollte konstant bleiben.

### 4.2.3 DIE FAHRSTEUERUNG FREIGEBEN

1. Treten Sie auf das Gaspedal, treten Sie auf das Bremspedal.

### 4.2.4 DIE FESTSTELLBREMSE EINSTELLEN

1. Treten Sie das Bremspedal vollständig durch und halten Sie es gedrückt.
2. Ziehen Sie den Griff der Feststellbremse nach oben und halten Sie ihn fest.
3. Lassen Sie das Bremspedal los.
4. Lassen Sie den Griff der Feststellbremse los.

#### **▲ WARNUNG**

Lassen Sie den Mäher niemals unbeaufsichtigt, solange der Motor läuft. Vergewissern Sie sich, dass die Feststellbremse angezogen ist und der Schlüssel abgezogen wurde. Wenn Sie die Feststellbremse nicht anziehen, kann sich der Mäher in Bewegung setzen, und wenn Sie den Schlüssel stecken lassen, kann er von Unbefugten benutzt werden, was zu schweren Verletzungen führen kann.

### 4.2.5 DIE FESTSTELLBREMSE LÖSEN

1. Treten Sie auf das Bremspedal, um die Feststellbremse zu lösen.

### 4.2.6 MASCHINE ANHALTEN

1. Halten Sie den Mäher auf einer flachen, ebenen Fläche an.
2. Betätigen Sie die Feststellbremse.
3. Drücken Sie den PTO-Schalter nach unten, um die Klingen auszuschalten.

4. Drehen Sie den Schlüssel in die Position AUS.

## 4.2.7 BETRIEB IM RÜCKWÄRTSMODUS

Siehe Abbildung 13

- Treten Sie auf das Bremspedal und bringen Sie den Mäher zum Stillstand.
- Drücken Sie den PTO-Schalter nach unten, um die Klängen auszuschalten.
- Stellen Sie den Richtungsschalter in die Rückwärtsstellung (R).
- Drücken Sie die Rückwärtsmähtaste.
- Heben Sie den PTO-Schalter an, treten Sie langsam das Gaspedal herunter und mähen Sie wie erforderlich rückwärts.

### ▲ WARNUNG

Mähen Sie nicht rückwärts, wenn es nicht unbedingt notwendig ist. Schauen Sie vor und während des Rückwärtsfahrens immer nach unten und hinten, um sicherzustellen, dass sich weder Kinder, Unbeteiligte noch Tiere im Mähbereich aufhalten. Denken Sie daran, dass fahrlässige Handlungen innerhalb von Sekundenbruchteilen zu schweren Verletzungen bis hin zum Tod führen können.

### ▲ WARNUNG

Seien Sie besonders vorsichtig vor und beim Rückwärtsfahren mit montiertem Absacksatz (nicht im Lieferumfang enthalten), da dieser die Sicht einschränken kann. Schauen Sie immer nach unten und hinten, um kleine Kinder, Unbeteiligte und Tiere rechtzeitig zu erkennen, und bewegen Sie den Mäher langsam, um Rückwärtsunfälle zu vermeiden, die zu schweren Verletzungen bis hin zum Tod führen können.

## 4.2.8 DEN USB-ANSCHLUSS VERWENDEN

Siehe Abbildung 14

Der USB-Ladeanschluss bietet eine Ladeleistung von 5 Volt DC bei bis zu 2,1 Ampere für Ihr Handy, Ihren MP3-Player oder andere USB-Geräte. Informieren Sie sich im Benutzerhandbuch Ihres Geräts über die spezifischen Ladeanforderungen.

Schließen Sie ein Ende eines USB-Kabels (nicht mitgeliefert) an Ihr Gerät und das andere Ende an den USB-Ladeanschluss des Mähers an, um mit dem Laden Ihres Geräts zu beginnen.

### i HINWEIS

Der Versuch, Geräte mit einer Stromstärke von mehr als 2,1 Ampere zu laden, kann den USB-Ladeanschluss und/oder den Mäher beschädigen.

### i HINWEIS

Der USB-Anschluss wird nur mit Strom versorgt, wenn das Gerät startet.

### ▲ WARNUNG

Benutzen Sie niemals Kopfhörer oder andere elektronische Geräte wie Smartphones oder Tablets, während Sie den Mäher bedienen. Ablenkungen beim Fahren können zu einem Unfall führen, der schwere Verletzungen bis hin zum Tod des Fahrers oder eines Unbeteiligten zur Folge haben kann.

## 4.2.9 TIPPS ZUR BEDIENUNG

Siehe Abbildung 15

- Halten Sie die Mähklängen scharf.
- Stellen Sie sicher, dass der Rasen frei von Steinen, Stöcken, Drähten, Spielzeug, Nüssen, Ästen und anderen Gegenständen ist, die die Klängen oder den Motor des Rasenmähers beschädigen könnten. Mähen Sie nicht über Grundstückspfosten oder andere Metallpfosten. Solche Gegenstände könnten die Klinge beschädigen oder versehentlich vom Mäher in eine beliebige Richtung aufgeworfen werden und so zu schweren Verletzungen des Bedieners und anderer Personen führen.
- Für einen gesunden Rasen sollten Sie immer ein Drittel oder weniger der Gesamtlänge des Grases abschneiden.



- Wenn Sie große Flächen mähen, drehen Sie zunächst nach rechts, damit das Schnittgut nicht in die Richtung von Sträuchern, Zäunen, Einfahrten usw. ausgeworfen wird. Nach ein oder zwei Runden mähen Sie in die entgegengesetzte Richtung, indem Sie links abbiegen, bis Sie fertig sind.
- Mähen Sie so, dass das Schnittgut in Richtung der bereits gemähten Rasenfläche ausgeworfen wird.
- Verringern Sie beim Mähen von hohem Gras die Geschwindigkeit, um das Mähergebnis zu verbessern und einen ordnungsgemäßen Auswurf des Schnittguts zu ermöglichen.
- Schneiden Sie die Grashalme **beim normalen Mähen** auf nur etwa 38 mm (1,5") herunter. Es wird nur bei spärlich wachsendem Gras oder am Ende der Mähseason empfohlen, mehr zu mähen.
- Nicht nasses Gras mähen. Es bleibt an der Unterseite des Mähwerks haften und verhindert ein ordnungsgemäßes Einsacken oder Mulchen des Schnittguts.
- Neues oder dichtes Gras erfordert möglicherweise einen schmaleren Schnitt oder eine höhere Schnitthöhe.
- Halten Sie das Mähwerk und den Seitenauswurfschacht sauber. Entfernen Sie Grasschnitt, Blätter, Schmutz und andere angesammelte Abfälle vor und nach jeder Verwendung. Sprühen Sie den Mäher zur Reinigung nicht mit einem Gartenschlauch ab.

## **i HINWEIS**

Halten Sie den Mäher immer an, lassen Sie die Klingen vollständig zum Stillstand kommen und ziehen Sie den Startschlüssel ab, bevor Sie die Unterseite des Mähers reinigen.

### **4.2.10 HANGBETRIEB**

*Siehe Abbildung 16*

Hänge sind ein wesentlicher Faktor für Kontrollverlust und Kippunfälle, die zu schweren oder sogar tödlichen Verletzungen führen können. Der Betrieb an Hängen erfordert immer äußerste Vorsicht. Wenn Sie den Hang nicht rückwärts befahren können oder sich auf ihm unwohl oder unsicher fühlen, mähen Sie ihn nicht.

- Fahren Sie an Hängen in der vom Hersteller empfohlenen Richtung. Seien Sie vorsichtig, wenn Sie in der Nähe von Steilhängen arbeiten.
- Betreiben Sie die Maschine nicht unter Bedingungen, bei denen Traktion, Lenkung oder Stabilität in Frage gestellt sind. Die Reifen können rutschen, auch wenn die Räder angehalten haben.
- Lassen Sie die Maschine immer im Gang, wenn Sie Hänge hinunterfahren. Lassen Sie die Maschine nicht bergab rollen.
- Mähen Sie an Hängen auf- und abwärts, nicht quer.
- Achten Sie auf Löcher, Spurrillen, Unebenheiten, Steine oder andere versteckte Objekte. Unebenes Gelände kann die Maschine zum Umkippen bringen. Hohes Gras kann Hindernisse verbergen.
- Mähen Sie nicht in der Nähe von Steilhängen, Gräben oder Böschungen. Die Maschine könnte plötzlich umschlagen, wenn ein Rad über den Rand fährt oder wenn der Rand einbricht.
- Wählen Sie eine niedrige Fahrgeschwindigkeit, damit Sie auf Hängen nicht anhalten oder schalten müssen.
- Nicht auf nassem Gras mähen. Die Reifen können die Bodenhaftung verlieren.
- Vermeiden Sie das Anfahren, Anhalten oder Wenden am Hang. Wenn die Reifen an Bodenhaftung verlieren, kuppeln Sie das/die Messer aus und fahren langsam geradeaus den Hang hinunter.
- Führen Sie alle Bewegungen an Hängen langsam und ruhig aus. Nehmen Sie keine plötzlichen Geschwindigkeits- oder Richtungsänderungen vor, die die Maschine zum Umkippen bringen könnten.
- Seien Sie beim Betrieb der Maschine mit Anbaugeräten besonders vorsichtig; sie können die Stabilität der Maschine beeinträchtigen. Nicht an zu steilen Hängen verwenden.
- Wenn Sie den optionalen Absacksatz verwenden, seien Sie äußerst vorsichtig und fahren Sie den Mäher an Hängen langsam, da das Absacksystem die Stabilität des Mähers verändern kann.
- Benutzen Sie immer die Bremsen, wenn Sie einen Hang hinunterfahren. Versuchen Sie nicht, den Mäher im Leerlauf bergab rollen zu lassen.

## **5 ELEKTRISCHES SYSTEM**

### **5.1 SICHERHEIT DER ELEKTRISCHEN ANLAGE**

- Ziehen Sie den Schlüssel und die Akkus ab und lesen Sie das Benutzerhandbuch, bevor Sie das Gerät einstellen oder reparieren.

- Entfernen Sie immer den Schlüssel und die Akkus, bevor Sie an diesem Gerät arbeiten.
- Trennen Sie immer den Schlüssel und die Akkus, bevor Sie das Gerät transportieren.
- Halten Sie das Gerät frei von Grasschnitt, Blättern und anderen Verunreinigungen. Reinigen Sie das Gerät NICHT mit Wasser. Verwenden Sie nur Druckluft. Tragen Sie beim Reinigen des Geräts einen angemessenen Augen- und Gehörschutz.
- Tragen Sie in der Nähe der Batterie immer eine Schutzbrille und Schutzkleidung. Verwenden Sie isolierte Werkzeuge.
- Reinigen Sie das Batteriefach, das Antriebsmotorfach, das Mähwerk, den Sitz usw. von Schmutz und Ablagerungen. Verwenden Sie keine Lösungsmittel, harten Reinigungsmittel oder Scheuermittel.
- Wenn der Schlüssel in der Position EIN ist, kann die Mähklinge einrasten, wenn der EIN-/AUS-Schalter (PTO) der Mähwerksklängen aktiviert ist, auch wenn sich der Antriebsmotor nicht dreht. Halten Sie den Bereich frei von Unbeteiligten, wenn Sie den Schalter Mähwerksklängen EIN/AUS betätigen.
- Alle Wartungs- und Lagerbereiche sollten den geltenden Brandschutzvorschriften und -verordnungen entsprechend gut belüftet sein, um Brandgefahren zu vermeiden.
- Lassen Sie niemals Flammen, Funken oder Rauchen in der Nähe der Batterien zu.
- Bewahren Sie Batterien außerhalb der Reichweite von Kindern auf.
- Halten Sie Schutzschilder, Abdeckungen und Schutzabdeckungen immer in Position und sicher befestigt. Wenn sie beschädigt werden, reparieren oder ersetzen Sie sie sofort. Verändern oder entfernen Sie niemals Sicherheitseinrichtungen.

## 5.2 INFORMATIONEN ZUM ELEKTRISCHEN SYSTEM

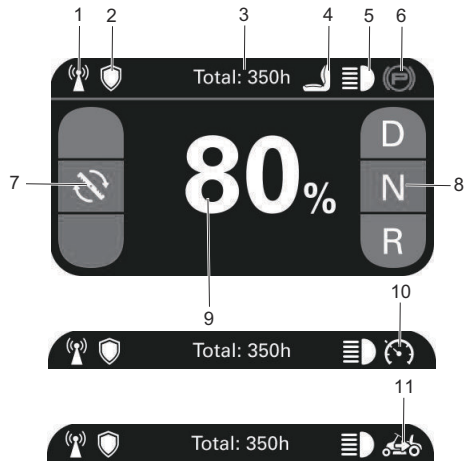
Der Cramer Zero Turn wird von einem 82-Volt-Elektrosystem angetrieben. Es besteht aus den folgenden Komponenten:

1. Klingen- und Antriebsregler (1)
2. Klingenmotor (2)
3. Beschleuniger (1)
4. Digitale Anzeige (1)
5. Radmotor (1)
6. Akkufach (1)

## 5.3 DIGITALE ANZEIGE

Die Funktion der Digitalanzeige auf dem Bedienfeld besteht darin, dem Bediener Informationen über das

elektrische System zu liefern. Es liefert detaillierte Informationen in Form von Mustern, Codes und Nummern.



#	Name	Funktion
1		4G GPS-Signal
2		GreenShield
3	Gesamt : 350h	Arbeitszeit Fahrzeug
4		Der Sitzschalter ist geschlossen.
5		LED-Leuchten
6		Die Feststellbremse ist aktiv.
7		Messerdrehzahl
8	D/N/R	Fahrtrichtung: Antrieb (D), Neutral (N) und Rückwärts (R).
9	80%	Akkuladestand
10		Fahrsteuerung
11		Der Rückwärtsmähdmodus ist aktiviert.

## 6 FEHLER

Das CANBUS-System ergreift Maßnahmen zum Schutz des Benutzers und der Maschine, wenn es ein Problem erkennt. Wenn es das Gerät oder eine Komponente ausschaltet, weist es darauf hin, dass ein Fehler aufgetreten ist, und dieser Fehler wird auf dem digitalen Display angezeigt. Alle elektrischen Fehler haben einen Buchstabencode, gefolgt von einer Nummer. Der erste Buchstabe beschreibt das System, das den Fehler verursacht hat, gemäß dieser Tabelle:

Name	Bedeutung
T	Antriebsregler und Motor
PMU	Energieverwaltungseinheit (im Akkufach)
ML	Linke Klängenmotorsteuerung
MR	Rechte Klängenmotorsteuerung
V	Fahrzeug

## 6.1 FEHLERCODE

Fehlercode	Beschreibung	Lösung
T11	Überspannung	Die Spannung ist zu hoch. Schalten Sie die Stromversorgung wieder ein.
T12	Unterspannung	Die Spannung ist zu niedrig. Laden Sie den Akkupack vor Gebrauch auf.
T13	Fehler beim Selbsttest des Reglers	Wenn dieses Problem auftritt, wenden Sie sich an Ihren Händler, um eine Lösung zu finden.
T14	Antriebsmotor blockiert	Prüfen Sie, ob die Antriebsräder festsitzen und schalten Sie die Stromversorgung wieder ein.
T15	Motor-Encoder Fehler	Stellen Sie sicher, dass der Hall-Effekt-Stecker des Antriebsreglers richtig angeschlossen ist, und schalten Sie dann die Stromversorgung wieder ein.
T16	Antriebsschaltkreis Regler Fehler	Wenn dieses Problem auftritt, wenden Sie sich an Ihren Händler, um eine Lösung zu finden.
T17	Antriebsteil des Reglers Übertemperatur	Die Reglertemperatur ist zu hoch. Warten Sie, bis der Regler abgekühlt ist, und starten Sie dann die Stromversorgung wieder ein.
T18	Antriebsmotor Überhitzung	Die Motortemperatur ist zu hoch. Warten Sie, bis der Motor abgekühlt ist, und starten Sie dann die Stromversorgung wieder ein.
T21	Temperatursensor des Antriebsmotors abnormal	Überprüfen Sie die Verkabelung des Temperatursensors auf Unregelmäßigkeiten.
T22	Hardware Überstrom im Antriebsteil des Reglers	Die Belastung ist zu hoch. Schalten Sie die Stromversorgung wieder ein.
T23	Fehler beim Vorladen	Schalten Sie die Stromversorgung wieder ein.
T25	Antriebssoftware Überstrom	Die Belastung ist zu hoch. Schalten Sie die Stromversorgung wieder ein.
T26	MOS Antrieb Fehler	Wenn dieses Problem auftritt, wenden Sie sich an Ihren Händler, um eine Lösung zu finden.
T27	Motor Phasenverlust	Prüfen Sie, ob die Motorkabel des Antriebsreglers richtig angeschlossen sind, und schalten Sie die Stromversorgung wieder ein.
T28	Antriebsregler Übertemperatur	Die Reglertemperatur ist zu hoch. Warten Sie, bis der Regler abgekühlt ist, und starten Sie dann die Stromversorgung wieder ein.
V14	Rückwärtsmähen in falscher Reihenfolge	Bitte drücken Sie die Rückwärtsmähtaste, bevor Sie rückwärts mähen.
V15	Fehler beim Selbsttest des Fahrzeugs	<ol style="list-style-type: none"> <li>1. Stellen Sie vor dem Starten des Fahrzeugs sicher, dass die Bremse angezogen ist.</li> <li>2. Stellen Sie vor dem Starten des Fahrzeugs den Mähschalter in die Position Aus und überprüfen Sie, ob der Mähschalter richtig angeschlossen ist.</li> <li>3. Stellen Sie den FNR-Schalthebel vor dem Starten des Fahrzeugs in die Position N.</li> <li>4. Prüfen Sie, ob der Stecker unter dem Sitz richtig angeschlossen ist.</li> <li>5. Drücken Sie beim Starten des Fahrzeugs nicht die Fahrsteuertaste.</li> </ol>

Fehlercode	Beschreibung	Lösung
		6. Treten Sie beim Starten des Fahrzeugs nicht auf das Gaspedal.
V16	Bedienreihenfolge falsch	Bringen Sie den Beschleuniger- und den Klingenschalter in ihre Ausgangsposition zurück.
V17	SPI Kommunikationsfehler	Schalten Sie die Stromversorgung wieder ein.
V18	Fehler Akkufach (PMU)	Prüfen Sie, ob die Beschleunigerkabel richtig angeschlossen sind, und schalten Sie die Stromversorgung wieder ein.
V22	Klingensignal abnormal	Vergewissern Sie sich, dass der Klingenstartschalter richtig angeschlossen ist, und bringen Sie den Schalter wieder in seine Ausgangsposition.
V21	PMU CAN-Kommunikationsfehler	Die Kommunikation mit dem Akkufach wurde unterbrochen. Schalten Sie die Stromversorgung wieder ein.
V23	Bedienerpräsenzschalter abnormal	Prüfen Sie, ob der Stecker unter dem Sitz richtig angeschlossen ist, und schalten Sie die Stromversorgung wieder ein.
ML3	Linke Klinge Software Überstrom	Prüfen Sie die Mählast und schalten Sie die Stromversorgung wieder ein.
ML4	Linke Klinge blockiert	Prüfen Sie die Mählast und versetzen Sie den Klingenstartschalter wieder in die Ausgangsposition.
ML6	MOS linke Klinge Fehler	Wenn dieses Problem auftritt, wenden Sie sich an Ihren Händler, um eine Lösung zu finden.
ML7	Phasenverlust linker Klingenmotor	Prüfen Sie, ob die Klingensteuerung und die Motorkabel richtig angeschlossen sind, und schalten Sie die Stromversorgung wieder ein.
ML9	Temperatur der linken Klingensteuerung abnormal	Die Reglertemperatur ist zu hoch. Warten Sie, bis der Regler abgekühlt ist, und starten Sie dann die Stromversorgung wieder ein.
ML14	Linke Klinge Hardware Überstrom	Prüfen Sie die Mählast und schalten Sie die Stromversorgung wieder ein.
ML15	Linke Klinge startet nicht	Prüfen Sie die Mählast und versetzen Sie den Klingenstartschalter wieder in die Ausgangsposition.
MR3	Schutz vor niedrigen Motordrehzahlen	Prüfen Sie die Mählast und schalten Sie die Stromversorgung wieder ein.
MR4	Schutz vor hohen Motordrehzahlen	Prüfen Sie die Mählast und versetzen Sie den Klingenstartschalter wieder in die Ausgangsposition.
MR6	Fehler am Hall-Sensor des Motors	Wenn dieses Problem auftritt, wenden Sie sich an Ihren Händler, um eine Lösung zu finden.
MR7	Regler Phasenverlust	Prüfen Sie, ob die Klingensteuerung und die Motorkabel richtig angeschlossen sind, und schalten Sie die Stromversorgung wieder ein.
MR9	MOSFET Fehler offener Stromkreis	Die Reglertemperatur ist zu hoch. Warten Sie, bis der Regler abgekühlt ist, und starten Sie dann die Stromversorgung wieder ein.
MR14	Regler Unterspannung	Prüfen Sie die Mählast und schalten Sie die Stromversorgung wieder ein.
MR15	Regler Überspannung	Prüfen Sie die Mählast und versetzen Sie den Klingenstartschalter wieder in die Ausgangsposition.

Fehlercode	Beschreibung	Lösung
PMU10	Akkupack Fehler offener Stromkreis	Die Temperatur des Akkufachs und des Akkus ist zu niedrig. Verwenden Sie das Gerät bei einer geeigneten Temperatur und schalten Sie die Stromversorgung wieder ein.
PMU11	PMU, kritischer Fehler	Die Temperatur des Akkufachs und des Akkus ist zu hoch. Warten Sie, bis der Akku abgekühlt ist, und starten Sie dann die Stromversorgung wieder ein.
PMU12	PMU, sekundärer Fehler	Ein kritischer Fehler im Akkufach hat den Start der Antriebs- und Klingensysteme verhindert. Schalten Sie die Stromversorgung wieder ein und versuchen Sie es erneut.
PMU13	Kein Akkupack verfügbar	Überprüfen Sie, dass Sie den richtigen Akkupack verwenden, und schalten Sie die Stromversorgung wieder ein.
PMU	Es sind nicht genügend Akkupacks verfügbar, die Funktionalität kann eingeschränkt sein.	Bitte setzen Sie mehr Akkupacks ein.
NA	Kommunikationsfehler Anzeige	Bitte überprüfen Sie die Anschlüsse der Anzeige und das CAN-Netzwerk.
	Falsche Anzeige gewählt	Bitte wählen Sie die richtige Anzeige für Ihr Fahrzeugmodell

## 7 WARTUNG UND INSTANDHALTUNG

### 7.1 WARTUNG DER MÄHKLINGEN

Prüfen Sie die Mähklingen täglich. Sie sind der Schlüssel zu effizienter Leistung und gepflegtem Rasen. Halten Sie sie scharf - ein stumpfes Messer zerreit das Gras eher, als es zu schneiden. Es hinterlsst innerhalb weniger Stunden eine braune, zerlumpte Oberflche auf dem Gras. Ein stumpfes Messer erfordert auch mehr Kraft. Ersetzen Sie verbogene, gerissene oder gebrochene Messer immer.

#### ▲ WARNUNG

Versuchen Sie niemals, ein verbogenes Messer durch Erhitzen zu gltten oder ein gerissenes oder gebrochenes Messer zu schweien, da das Messer brechen und schwere Verletzungen verursachen kann. Ersetzen Sie verschlissene oder beschdigte Messer.

#### ▲ WARNUNG

Arbeiten Sie niemals an den Klingen, wenn sich der Schlssel im Zndschloss befindet. Drehen Sie den Schlssel in die Position "AUS", bevor Sie die Akkupacks aus der Maschine entfernen. Blockieren Sie den Mher, wenn Sie unter ihm arbeiten mssen. Tragen Sie beim Umgang mit den Messern Handschuhe. Prfen Sie immer, ob das Messer beschdigt ist, wenn der Mher auf einen Stein, einen Ast oder andere Fremdkrper trifft!

#### ▲ GEFAHR

Das Nachschrfen kann mit einer Feile durchgefhrt werden. Prfen Sie die Auswuchtung der Messer nach dem Schleifen. Ein handelsbliches Auswuchtwerkzeug ist in den meisten Baumrkten erhltlich, oder Sie knnen die Klinge auf einer umgedrehten Stanze oder einer Schraube mit 12,7 mm (1/2") auswuchten. Das Messer darf sich nicht neigen oder kippen. Drehen Sie das Messer langsam. Es darf nicht wackeln. Wenn das Messer nicht rund luft, richten Sie es vor dem Wiedereinbau aus. Legen Sie das Messer auf eine ebene Flche und prfen Sie, ob es verbogen ist. Ersetzen Sie jedes verbogene Messer.

## ▲ WARNUNG

- Das Messersegel (gebogener Teil) muss nach oben zur Innenseite des Mähwerks zeigen, um einen ordnungsgemäßen Schnitt zu gewährleisten.
- Wenn Sie die Messer montieren, drehen Sie sie nach der Installation, um sicherzustellen, dass die Messerspitzen einander oder die Seiten des Mähers nicht berühren.
- Wird die Schraube nicht korrekt angezogen, kann das Messer herausfallen, was zu schweren Verletzungen führen kann.
- Die Mähklingen sind scharf und können schneiden. Tragen Sie Handschuhe und seien Sie besonders vorsichtig, wenn Sie sie warten.

### 7.1.1 MESSER ERSETZEN

Siehe Abbildung 17

1. Halten Sie den Motor an, ziehen Sie den Startschlüssel ab und ziehen Sie die Feststellbremse an.
2. Bringen Sie das Mähwerk in die höchste Position, um Zugang zu den Klingen zu erhalten.

## i HINWEIS

Heben Sie den Mäher ggf. an, indem Sie ihn auf eine Hebebühne stellen oder einen Wagenheber und Stützfüße verwenden, oder entfernen Sie das Mähwerk wie im vorherigen Abschnitt beschrieben, um Zugang zu den Klingen zu erhalten.

## ▲ WARNUNG

Wenn Sie den Mäher anheben, um an die Klingen zu gelangen, vergewissern Sie sich, dass der Mäher ordnungsgemäß gesichert und die Feststellbremse angezogen ist, bevor Sie fortfahren. Wenn Sie den Mäher nicht ordnungsgemäß sichern, kann er abstürzen, was schwere Verletzungen bis hin zum Tod verursachen kann.

3. Verkeilen Sie einen Holzklötz zwischen der Klinge und dem Mähwerk, um die Klinge am Drehen zu hindern.
4. Lösen Sie die Klingenmutter, indem Sie sie (von der Unterseite des Mähers aus gesehen) mit einem 16-mm-Schlüssel oder einer Stecknuss (nicht mitgeliefert) gegen den Uhrzeigersinn drehen.
5. Entfernen Sie die Klingenmutter, den Abstandhalter, den Klingenisolator und die Klinge.
6. Schrauben Sie die Messermutter auf die Welle und ziehen Sie sie handfest an.
7. Ziehen Sie die Klingenmutter mit einem Drehmomentschlüssel (nicht mitgeliefert) im Uhrzeigersinn an, um sicherzustellen, dass die Schraube richtig angezogen ist. Das empfohlene Drehmoment für die Klingenmutter beträgt 90 Nm~100 Nm (66~74 ft.lbs).

## ▲ WARNUNG

Stellen Sie sicher, dass die Klinge richtig sitzt und die Klingenmutter mit dem oben angegebenen Drehmoment angezogen ist. Wenn Sie die Klinge nicht ordnungsgemäß befestigen, kann sie sich lösen und möglicherweise zu schweren Verletzungen führen.

8. Wiederholen Sie den Vorgang mit der zweiten Klinge, falls erforderlich.

## i HINWEIS

Achten Sie darauf, dass alle Teile in der gleichen Reihenfolge wieder eingebaut werden, in der sie ausgebaut wurden.

### 7.2 DEN SCHEINWERFER ERSETZEN

Siehe Abbildung 18

Wenden Sie sich an den Kundendienst oder besuchen Sie unsere Website, um einen neuen Scheinwerfer zu bestellen.

1. Parken Sie den Mäher auf einer ebenen Fläche und betätigen Sie die Feststellbremse.
2. Halten Sie den Motor an und ziehen Sie den Startschlüssel ab.
3. Entfernen Sie die Sechskantschraube und die Unterlegscheibe, mit denen die Bodenplatte des Mähwerks befestigt ist, und legen Sie sie beiseite.

4. Heben Sie die Bodenplatte leicht an, um an die beiden Sechskantschrauben und Unterlegscheiben zu gelangen, mit denen der Scheinwerfer befestigt ist. Entfernen Sie die Schrauben und Unterlegscheiben und legen Sie sie beiseite.
5. Stecken Sie den alten Scheinwerfer aus und entsorgen Sie ihn.
6. Setzen Sie den neuen Scheinwerfer ein und setzen Sie Unterlegscheiben und Schrauben wieder ein. Fest anziehen.
7. Senken Sie die Bodenplatte ab und setzen Sie Unterlegscheibe und Schraube wieder ein, um sie zu sichern.

## 7.3 REIFEN

Für gleichmäßiges Mähen ist es wichtig, dass alle Reifen den richtigen Luftdruck haben. Der empfohlene Druck ist:

### i HINWEIS

Der Reifendruck sollte nur bei kalten Reifen gemessen oder eingestellt werden.

Antriebsräder	8 psi
Vordere Lenkräder	24 psi

### i HINWEIS

Prüfen Sie die Reifen täglich. Bei Beschädigung sofort austauschen.

### ▲ WARNUNG

Prüfen Sie den Reifendruck beim Aufpumpen sorgfältig. Zu viel Luft im Reifen kann zum Platzen des Reifens führen und schwere Verletzungen verursachen.

## 7.4 SCHMIERUNG

Siehe Abbildung 19

Geben Sie vor dem Betrieb Öl hinzu.

Ölsorte	SAE85W-140
Ölkapazität	180 ml

Wenden Sie sich an Ihren Händler von Cramer, um die Schmierung zu ersetzen.

### i HINWEIS

Wechseln Sie das Getriebeöl, nachdem Sie die Maschine zum ersten Mal 50 Stunden lang betrieben haben, und anschließend alle 200 Stunden.

## 7.5 DREHMOMENTWERTE

### ▲ WARNUNG

Das Anziehen der Muttern der Antriebsräder und der Schrauben der Messerspindel muss besonders sorgfältig durchgeführt werden. Wenn diese Teile nicht korrekt angezogen werden, kann ein Rad oder ein Messer herausfallen, was zu schweren Schäden oder Verletzungen führen kann.

Die Drehmomentwerte sind unten angegeben:

Teil	Ft-lbs.	Nm
Radmuttern (Radbolzen)	89	120
Schraube der Messerspindel	66	90



**Nur Radmuttern** -Es wird empfohlen, diese nach den ersten 2 Betriebsstunden, zu Beginn, alle 100 Stunden und nach dem Ausbau zur Reparatur oder zum Austausch zu prüfen.

## 7.6 WARTUNG DES AKKUPACKS

Ihr Cramer-Mäher wird von einem Akkupack angetrieben, die bei ordnungsgemäßer Wartung eine jahrelange Lebensdauer hat. Für die richtige Pflege beachten Sie bitte die folgenden Hinweise:

- Laden Sie die Batterien nach jedem Gebrauch auf.
- Wenn ein Akkupack vollständig entladen und ausgeschaltet ist, sollten Sie ihn so schnell wie möglich wieder aufladen. Eine zu starke Entladung des Akkupacks verkürzt die Standzeit der Batterien und kann zu einer dauerhaften Beschädigung der Batterie führen. Es ist nicht notwendig, die Batterie vollständig aufzuladen; es reicht aus, wenn Sie den Akkupack nur 5-10 Minuten lang aufladen. Vorzugsweise laden Sie ihn innerhalb von 24 Stunden wieder auf.
- Achten Sie darauf, dass sich in der Nähe der Batteriepole und im Bereich der Batterie kein Gras, Schmutz und Unrat ansammelt.
- Laden Sie die Batterien in Innenräumen an einem gut belüfteten und trockenen Ort, fern von Funken oder Flammen. Setzen Sie das Ladegerät niemals Regen, Dämpfen oder Flüssigkeiten aus.
- Laden Sie nur die von Cramer gelieferten Lithium-Batterien auf.
- Berühren Sie keine unisolierten Teile des Ladegeräts (Anschlusssteife) oder des Ausgangssteckers.
- Verwenden Sie das Gerät nicht mit defekten Kabeln und Drähten. Tauschen Sie defekte Kabel und Leitungen sofort aus.
- Für eine langfristige Lagerung stellen Sie bitte sicher, dass die Lagertemperatur -20°C - 45°C innerhalb eines Monats und 0°C - 35°C zwischen zwei und zwölf Monaten beträgt.
- Die Arbeitsumgebung des Akkupacks liegt bei -20°C - 55°C zum Entladen und bei 0°C ~ 55°C zum Laden.

## 7.7 WARTUNG DES AKKUFACHFILTERS

Ersetzen Sie den Filter im Akkufach alle 200 Stunden.

## 7.8 SERVICE

### **i** WICHTIG

Warten Sie vor dem Einstellen, Reinigen oder Reparieren, bis alle Bewegungen zum Stillstand gekommen sind. Reparaturen oder Wartungsarbeiten, die Strom benötigen, sollten nur von geschultem Wartungspersonal durchgeführt werden. Lesen und beachten Sie die Sicherheitshinweise auf der Vorderseite der Bedienungsanleitung.

### **i** WICHTIG

Reparaturen oder Wartungsarbeiten, die Strom benötigen, sollten nur von geschultem Wartungspersonal durchgeführt werden.

- Stellen Sie den Mäher auf ebenem Boden ab. Stellen Sie sicher, dass sich die Lenkstockhebel in der Neutralstellung befinden und dass der PTO-Schalter auf "AUS" steht. Heben Sie das Mähwerk an, drehen Sie den Schlüssel in die Position "OFF", ziehen Sie den Schlüssel vom Schalter ab und entnehmen Sie die Akkupacks aus dem Akkufach unter dem Sitz.
- Alle Wartungsarbeiten, die das Entfernen von Sicherheitsabdeckungen erfordern, müssen von einem geschulten Servicetechniker durchgeführt werden.
- Verwenden Sie einen Stock oder ein ähnliches Instrument, um unter dem Mäher zu reinigen, und achten Sie darauf, dass sich keine Körperteile - insbesondere Arme und Hände - unter dem Mäher befinden.
- Halten Sie Ihre Maschine sauber und entfernen Sie alle Ablagerungen von Müll und Schnitgut.
- Halten Sie das Batteriefach, das Mähwerk und den Arbeitsplatz des Bedieners sauber von angesammeltem Müll, Grasschnitt und anderen Abfällen.
- Reinigen Sie das Batteriefach, das Antriebsmotorfach, das Mähwerk, den Sitz usw. von Schmutz und Ablagerungen. Zur Reinigung nur Druckluft verwenden. Verwenden Sie KEIN Wasser, Lösungsmittel, harte Reinigungsmittel oder Scheuermittel.
- Tragen Sie immer einen angemessenen Augenschutz, wenn Sie die Batterien warten oder wenn Sie die Mähklänge schleifen und den angesammelten Schmutz entfernen. Versuchen Sie niemals, Einstellungen oder Reparaturen am Antriebssystem des Mähers, am Mähwerk oder an Anbaugeräten vorzunehmen, während das

Fahrtriebssystem läuft. Reparaturen oder Wartungsarbeiten, die Strom benötigen, sollten nur von geschultem Wartungspersonal durchgeführt werden.

- Arbeiten Sie niemals unter der Maschine oder dem Anbaugerät, es sei denn, es/sie ist sicher mit Ständern abgestützt. Stellen Sie sicher, dass die Maschine sicher steht, wenn sie angehoben und auf die Ständer gestellt wird.
- Die Maschine darf sich auf den Ständern nicht bewegen, wenn der Fahrtrieb läuft und die Antriebsräder sich drehen. Verwenden Sie nur zertifizierte Ständer. Verwenden Sie zum Aufbocken des Geräts nur geeignete Ständer mit einer Kapazität von mindestens 2000 Pfund (907,2 kg). Nur paarweise verwenden. Beachten Sie die mit den Fahrzeugständern gelieferten Anweisungen.
- Berühren Sie keine heißen Teile der Maschine.
- Achten Sie darauf, dass die Schrauben und Muttern fest angezogen sind, insbesondere die Schrauben der Messerbefestigung. Halten Sie die Ausrüstung in einem guten Betriebszustand.
- Manipulieren Sie niemals die Sicherheitseinrichtungen. Prüfen Sie regelmäßig ihre korrekte Funktion.
- Drehen Sie den Schlüssel in die Position "AUS", bevor Sie den Auswurfschacht befreien.
- Reinigen Sie den Auswurfschacht niemals bei laufender Maschine. Drehen Sie den Schlüssel in die Position "AUS" und vergewissern Sie sich, dass die Klingen vor der Reinigung zum Stillstand gekommen sind. Verwenden Sie einen Stock, um einen verstopften Auslassbereich zu reinigen. Benutzen Sie niemals Ihre Hand!
- Halten Sie das Gerät an und warten Sie, bis die Messer zum Stillstand gekommen sind, bevor Sie den Auswurfkanal freimachen. Die Komponenten des Grasfangsystems unterliegen Verschleiß, Beschädigung und Verschlechterung, wodurch bewegliche Teile freigelegt oder Gegenstände aufgeworfen werden könnten. Prüfen Sie die Komponenten regelmäßig und ersetzen Sie sie bei Bedarf durch vom Hersteller empfohlene Teile.
- Seien Sie bei der Arbeit unter dem Mähwerk vorsichtig, da die Mähklingen extrem scharf sind. Tragen Sie Handschuhe und seien Sie besonders vorsichtig, wenn Sie sie warten.
- Verwenden Sie nur Cramer-Mäher-Originalteile, um sicherzustellen, dass der Originalstandard erhalten bleibt.
- Trennen Sie immer die Akkus, bevor Sie das Gerät transportieren. Halten Sie das Gerät frei von Grasschnitt, Blättern und anderen Verunreinigungen.
- Prüfen Sie die Funktion der Bremsen regelmäßig. Verstellen und warten Sie sie nach Bedarf.
- Sicherheits- und Hinweisschilder sind je nach Bedarf zu pflegen oder zu ersetzen.
- Lassen Sie Ihren Aufsitzrasenmäher von einer qualifizierten Fachkraft mit baugleichen Ersatzteilen warten. Nur so wird die Sicherheit des Aufsitzrasenmähers gewährleistet.
- Nur mit dem vom Hersteller angegebenen Ladegerät aufladen. Ein Ladegerät, das für einen Akkupacktyp geeignet ist, kann bei Verwendung mit einem anderen Akkupack eine Brandgefahr darstellen.

## 8 TRANSPORT UND LAGERUNG

### 8.1 TRANSPORT

#### ▲ WARNUNG

Seien Sie besonders vorsichtig, wenn Sie die Maschine in einen Anhänger laden oder daraus abladen. Drücken Sie die Taste für die niedrige Geschwindigkeit und bewegen Sie die Fahrhebel zur Regulierung der Geschwindigkeit vorsichtig. Fahren Sie beim Beladen immer rückwärts auf den Anhänger. Überschreiten Sie beim Be- und Entladen des Mähers nicht den empfohlenen maximalen Arbeitswinkel von 15°. Die Nichtbeachtung dieser Anweisungen kann zu Kontrollverlust führen und schwere Verletzungen bis hin zum Tod oder Sachschäden zur Folge haben.

#### ▲ WARNUNG

Seien Sie beim Be- und Entladen des Mähers auf oder von einem Anhänger vorsichtig. Stellen Sie sicher, dass das Mähwerk in die höchste Position angehoben ist, damit es nicht an der Rampe hängen bleibt. Die Räder des Mähers können von der Rampe oder dem Anhänger abspringen, wodurch sich der Mäher umdrehen oder umkippen kann und somit Quetschgefahr entsteht, die zu schweren Verletzungen bis hin zum Tod führen kann.

1. Stellen Sie den Mäher auf einer ebenen Fläche ab.
2. Heben Sie das Mähwerk in die höchste Position.
3. Positionieren und befestigen Sie die Rampe gemäß den Herstelleranweisungen am Anhänger.

## **i** HINWEIS

Wir empfehlen die Verwendung einer voll ausgefahrenen Laderampe, die mindestens 1 Fuß breiter ist als der Mäher, um das Risiko zu minimieren, dass die Räder des Mähers von der Seite der Rampe abkommen.

4. Fahren Sie den Mäher langsam auf die Rampe und in den Anhänger.
5. Senken Sie das Mähwerk vollständig ab.
6. Betätigen Sie die Feststellbremse.
7. Schalten Sie den Mäher aus und ziehen Sie den Schlüssel ab.
8. Sichern Sie den Mäher bei Bedarf mit Gurten oder Seilen, um Bewegungen während des Transports zu verhindern.

## **▲** WARNUNG

Um ein unbeabsichtigtes Starten oder Bewegungen zu vermeiden, die zu schweren Verletzungen führen könnten, ziehen Sie während des Transports immer den Startschlüssel ab und aktivieren Sie die Feststellbremse.

## **8.2 REINIGUNG UND LAGERUNG**

### **8.2.1 MASCHINE REINIGEN**

- Entfernen Sie alle Gras- und Laubansammlungen auf oder um die Motorabdeckung (verwenden Sie kein Wasser aus einer Hochdruckpistole, um den Motor zu reinigen).
- Wischen Sie den Mäher von Zeit zu Zeit mit einem trockenen Tuch sauber.
- Wenn sich während des Einsatzes Schmutz an der Unterseite des Mähers ansammelt, stoppen Sie den Motor, schalten Sie die Maschine aus und kratzen Sie ihn mit einem geeigneten Werkzeug ab.

### **8.2.2 DAS MÄHWERK REINIGEN**

*Siehe Abbildung 20*

- Stellen Sie die Feststellbremse in die Parkschlitzte.
- Stellen Sie das Mähwerk auf die niedrigste Höhe ein.
- Befestigen Sie die mitgelieferte Schnellkupplung für den Waschanschluss am Gartenschlauch.
- Schließen Sie einen Gartenschlauch mit Schnellkupplung an den Waschanschluss des Mähwerks an. Die Waschöffnung befindet sich auf der linken Seite des Mähwerks.
- Stellen Sie das Wasser ein.
- Ziehen Sie den PTO-Schalter, um die Mähklingen zu starten, und stellen Sie die höchste Messerdrehzahl ein.
- Spülen Sie etwa eine Minute lang Wasser unter das Mähwerk.
- Schalten Sie die Mähklingen aus, indem Sie den PTO-Schalter nach unten drücken.
- Stellen Sie das Wasser ab und entfernen Sie den Gartenschlauch und die Schnellkupplung vom Waschanschluss.
- Entfernen Sie die Schnellkupplung vom Gartenschlauch und bewahren Sie sie zur späteren Verwendung auf.
- Schalten Sie den Mäher vollständig aus.

### **8.2.3 MASCHINE LAGERN**

Die folgenden Schritte sollten durchgeführt werden, um die Maschine für die Lagerung vorzubereiten.

- Reinigen Sie die Maschine wie im vorherigen Abschnitt beschrieben.
- Kontrollieren Sie das Messer und tauschen Sie es aus oder schärfen Sie es, falls erforderlich (siehe Abschnitt Wartung).
- Lagern Sie die Maschine nicht in der Nähe von ätzenden Materialien wie Dünger oder Steinsalz.
- Bewahren Sie die Maschine außerhalb der Reichweite von Kindern auf.
- Decken Sie die Maschine nicht mit einer festen Plastikfolie ab. Kunststoffabdeckungen schließen Feuchtigkeit um die Maschine herum ein, was zu Rost und Korrosion führt.
- Prüfen Sie genau, ob verschlissene oder beschädigte Teile ausgetauscht werden müssen, und bestellen Sie diese bei Ihrem Händler.
- Bitte wenden Sie sich an den Kundendienst, um die Maschine gründlich zu schmieren.

- Laden Sie die Batterien vollständig auf und warten Sie sie.
- Lassen Sie nicht die Luft aus den Reifen.
- Die Maschine sollte an einem gut belüfteten, sauberen und trockenen Ort gelagert werden, da das Batterieladegerät nicht in einer feuchten Umgebung verwendet werden kann.
  - Die Batterien sollten immer vollständig geladen sein. Es ist besonders wichtig, Schäden an der Batterie zu vermeiden, wenn die Temperatur unter 0 °C (32 °F) liegt.
  - Schließen Sie den Ladeadapter an den Ladeanschluss und die Batterien an, wie im Abschnitt "Ladeadapter" im Kapitel "Elektrische Anlage" beschrieben.
  - Schließen Sie das Ladegerät an eine geeignete Steckdose an. Weitere Einzelheiten zur Verwendung des Ladegeräts und zum Laden der Batterien finden Sie in den Abschnitten Batterieladegerät, Laden der Batterien und Ladeempfehlungen im Abschnitt über das elektrische System.
  - Um die Standzeit der Batterien zu verlängern, sollten sie kurz nach jedem Gebrauch vollständig aufgeladen werden.

## **8.2.4 NACH DER LAGERUNG FÜR DIE VERWENDUNG VORBEREITEN**

Die folgenden Schritte sollten durchgeführt werden, bevor Sie den Mäher nach der Lagerung wieder verwenden:

- Laden Sie die Akkus vollständig auf.
- Prüfen Sie den Reifendruck und erhöhen Sie ihn bei Bedarf.
- Fahren Sie den Mäher eine kurze Strecke und überprüfen Sie alle Systeme und Komponenten, um sicherzustellen, dass sie ordnungsgemäß funktionieren.

## 9 FEHLERBEHEBUNG

PROBLEM	MÖGLICHE URSACHE	LÖSUNG
Das Fahrzeug lässt sich nicht bewegen.	In das Akkufach ist kein Akkupack oder kein von Cramer vorgesehener Akkupack eingesetzt.	Um den normalen Betrieb des Fahrzeugs zu gewährleisten, sollte mindestens 1 von Cramer vorgesehenes Akkupackprodukt in das Akkufach gelegt werden.
	Akkupack ist nicht geladen.	Prüfen Sie die Stromversorgung des Akkus.
	Es sitzt niemand auf dem Sitz oder der Bedienerpräsenzscharter ist nicht geschlossen.	Stellen Sie sicher, dass der Fahrer auf dem Sitz sitzt.
	Die Feststellbremse ist aktiv.	Stellen Sie sicher, dass die Feststellbremse vollständig gelöst ist, damit sich die Räder frei drehen können.
	Das Akkufach befindet sich im Ruhezustand.	Drehen Sie den Schlüsselschalter in die Position AUS und warten Sie etwas länger als 5 Sekunden, bevor Sie die Maschine erneut starten.
Plötzliche Störung während der Fahrt	Das Akku ist nicht aufgeladen.	Um den normalen Betrieb des gesamten Fahrzeugs zu gewährleisten, ist es notwendig, mindestens 1 von Cramer vorgesehenes Akkupackprodukt in das Akkufach einzusetzen und sicherzustellen, dass der Akkupack mit Strom versorgt wird.
	Rauhe und holprige Straßen führen zu einer Unterbrechung des Bedienerpräsenzscharters.	Betätigen Sie die Feststellbremse, starten Sie die Maschine neu und drücken Sie den Joystick.
	Gaspedal defekt.	Wenden Sie sich an einen Kundendienstmitarbeiter von Cramer.
	Antriebsregler hat eine Störung.	Wenden Sie sich an einen Kundendienstmitarbeiter von Cramer.
Die Klinge funktioniert nicht, nachdem der PTO-Schalter betätigt wurde.	In das Akkufach ist kein von Cramer vorgesehener Akkupack eingesetzt.	Um den normalen Betrieb des gesamten Fahrzeugs zu gewährleisten, ist es notwendig, mindestens 1 von Cramer vorgesehenes Akkupackprodukt in das Akkufach einzusetzen und sicherzustellen, dass der Akkupack mit Strom versorgt wird.
	Der Akkuladestand ist unter 5%.	Prüfen Sie die Akkuleistung. Wenn die Akkuleistung niedrig ist, laden Sie den Akku auf.
	Der Bedienerpräsenzscharter ist nicht geschlossen.	Stellen Sie sicher, dass der Fahrer auf dem Sitz sitzt.
	Der Klingenschalter (PTO) ist vor dem Einschalten nicht in der Ausgangsposition.	Drücken Sie den PTO und ziehen Sie ihn wieder hoch.
	Klingenmotor oder anderer Funktionsschutz blockiert.	Vergewissern Sie sich, dass sich kein Unkraut oder andere Fremdkörper an der Verbindung zwischen der Klinge und dem Motor befinden, um einen reibungslosen Klingenlauf zu gewährleisten. Es wird empfohlen, das Mähwerk hochzustellen und die Klinge zu starten, bevor Sie das Mähwerk auf den gewünschten Gang einstellen.
	Die Laufsteuerung funktioniert nicht richtig.	Stellen Sie sicher, dass kein anderer Fehler auf der Anzeige angezeigt wird.
Die Klinge bleibt beim Mähen von Gras stecken.	Die Klingensteuerung funktioniert nicht richtig.	Prüfen Sie den Fehlercode, der auf der Anzeige erscheint.

**DE**

PROBLEM	MÖGLICHE URSACHE	LÖSUNG
	Überlastung des Klingenmotors.	Reinigen Sie das Innere des Mähwerks, stellen Sie sicher, dass sich die Klingen nicht abnormal drehen, drücken Sie den PTO, starten Sie die Maschine neu und reduzieren Sie die Klingenbelastung, indem Sie entweder die Höhe des Mähwerks erhöhen oder die Fahrgeschwindigkeit verringern.
	Die Akkupacktemperatur ist zu hoch.	Verwenden Sie das Gerät nicht unmittelbar nach Abschluss des Ladevorgangs, da sonst der Temperaturschutzfehler des Akkupacks ausgelöst werden kann.
	Der Akkuladestand ist unter 5%.	Die Akkuleistung ist niedrig, bitte laden Sie den Akku auf.
	Die Klinge wird von einem Fremdkörper getroffen, der einen plötzlichen Stopp verursacht.	Drehen Sie den Schlüssel in die Position AUS und warten Sie etwas länger als 5 Sekunden, bevor Sie die Maschine erneut starten.
	Antriebssteuerung funktioniert nicht richtig.	Prüfen Sie den Fehlercode, der auf der Anzeige erscheint.
Der Mäher schneidet das Gras ungleichmäßig und der Höhenunterschied ist sehr groß.	Die Klinge ist stumpf.	Schleifen Sie die Klinge gemäß Anleitung.
	Die Klinge ist verbogen.	Tauschen Sie die verbogene Klinge gemäß den Anweisungen aus und tragen Sie dabei Schutzkleidung.
	Das Mähwerk ist nicht eben.	Ebnen Sie das Mähwerk gemäß den Anweisungen, um sicherzustellen, dass die Höhe links und rechts gleich ist.
Die tatsächliche Mähhöhe stimmt nicht mit der gewählten markierten Mähhöhe überein.	Die Befestigungsbolzen am Mähwerk sind lose.	Passen Sie die Befestigungsbolzen des Mähwerks an, um sicherzustellen, dass es fest montiert ist. Hinweis: Das Mähwerk muss nach dem Einstellen der Befestigungsbolzen neu ausgerichtet werden.
	Das Mähwerk ist stark abgenutzt oder beschädigt.	Setzen Sie ein neues Mähwerk ein.
Fahrzeug schreddert unregelmäßig	Der Rasen ist zu nass.	Bitte prüfen Sie vor dem Mähen den Zustand des Grasses. Wenn das Gras zu nass ist, warten Sie, dass Wind oder Sonne den Tau aufgelöst haben, bevor Sie es schneiden.
	Der Mäher ist so eingestellt, dass er zu viel Gras auf einmal mäht.	Wenn das Gras zu dicht und hoch ist, heben Sie das Mähwerk an, und vermeiden Sie das Mähen von zu hohem Gras soweit möglich.
Übermäßige Maschinenvibrationen	Klingen lose.	Schleifen Sie die Klinge mit der in der Anleitung angegebenen Methode.
	Klingen sind verbogen.	Tauschen Sie die verbogenen Klingen gemäß den Anweisungen aus und tragen Sie dabei Schutzhandschuhe.
	Mähwerk nicht eben.	Ebnen Sie das Mähwerk gemäß den Anweisungen, um sicherzustellen, dass die Höhe links und rechts gleich ist.
	Mähwerk lose.	Verriegeln Sie die Befestigungsbolzen des Mähwerks.
	Der Mäher ist so eingestellt, dass er zu viel Gras auf einmal mäht.	Wenn das Gras zu dicht und hoch ist, heben Sie das Mähwerk an, und versuchen Sie das Mähen von zu hohem Gras zu vermeiden.
Nach dem Mähvorgang verbleiben auf dem Boden Gras, Blätter oder Abfälle.	Der Mäher ist so eingestellt, dass er zu viel Gras auf einmal mäht.	Wenn das Gras zu dicht und hoch ist, heben Sie bitte das Mähwerk an. Wenn das Gras höher als 15 cm ist, verfahren Sie in zwei Mähvorgängen, um den gewünschten Mäheffekt zu erzielen, und versuchen Sie, das Mähen von zu dichtem Gras zu vermeiden.

PROBLEM	MÖGLICHE URSACHE	LÖSUNG
	Das Gras ist zu nass.	Prüfen Sie vor dem Mähen den Zustand des Rasens. Wenn das Gras zu nass ist, warten Sie, dass Wind oder Sonne den Tau aufgelöst haben, bevor Sie es mähen.
	Die Fahrgeschwindigkeit ist zu hoch.	Verringern Sie die Fahrgeschwindigkeit.
	Die Schnittgeschwindigkeit der Klinge ist zu niedrig.	Erhöhen Sie die Geschwindigkeitsstufe der Klinge.
Kurze Mähdauer	Das Mähen von zu dichtem Gras kann die Mähdauer verkürzen.	Wenn Sie das Mähwerk anheben oder die Geschwindigkeit der Klängen verringern, können Sie die Nutzungsdauer einer Mäherladung verlängern.
Mäher außer Kontrolle	Reifendruck unterschiedlich	Prüfen Sie den Reifendruck des Mähers regelmäßig gemäß Bedienungsanleitung.
Das Fahrzeug lässt sich nach dem Waschen nicht starten.	Unschlagmäßige Reinigung, z. B. Wasser im LED-Bildschirm, im Akkufach und in anderen elektronischen Komponenten.	<ol style="list-style-type: none"> <li>Bitte befolgen Sie die Anweisungen zur Reinigung der Maschine.</li> <li>Sollte das Fahrzeug unabsichtlich durchnässt worden sein, stellen Sie es bitte für 12 Stunden an einen trockenen Ort oder föhnen Sie es vor der Verwendung trocken.</li> <li>Wenden Sie sich an einen Kundendienstmitarbeiter von Cramer.</li> </ol>
Der Mäher ist verstopft.	Unkraut und Abfälle sammeln sich auf dem Mähwerk.	Bitte befolgen Sie die Anweisungen zur Reinigung der Maschine nach jeder Verwendung der Maschine.
Im Parkmodus rutscht die Maschine schnell an Hängen und kommt ins Schleudern.	Starker Reifenverschleiß.	Wenden Sie sich an den Kundendienst, um die Reifen auszutauschen.
	Die Magnetbremse ist beschädigt oder zu stark abgenutzt.	Wenden Sie sich an den Kundendienst, um die Magnetbremse auszutauschen.
	Die Magnetbremse wurde manuell gelöst.	Überprüfen Sie die Magnetbremse und stellen Sie sie in die Ausgangsposition zurück.

## DE 10 TECHNISCHE DATEN

Modell-Nr.	82LT107
Spannung	82 V
Bruttogewicht des Fahrzeugs	106±3 kg
Länge	170 cm
Höhe	117 cm
Breite (mit Abfluss)	135 cm
Breite (ohne Abfluss)	107 cm
Mähwerkbreite	107 cm
Fahrgeschwindigkeit	0-8 mph
Rückwärtsgeschwindigkeit	0-3 mph
Schnitt Höhenbereich	3.81-11.4 cm
Niveau der Schnitthöheneinstellung	7 Stück
Leerlaufdrehzahl	2400/3000/3200 U/min
Ladezeit	4 h (mit 8-A-Ladegerät)
Motorleistung	1.2 kW (Klingenmotor)
	1.2 (Antriebsmotor)
MAX Hanglage	15°
Anzahl an Klingen (Auswurf/Mulchen)	2 Stück
Gemessener Schalldruckpegel	$L_{pA} = 84.77 \text{ dB(A)}$ , $K_{pA} = 3 \text{ dB(A)}$
Gemessener Schalleistungspegel	$L_{wA} = 98.24 \text{ dB(A)}$
Garantierter Schalleistungspegel	$L_{wA,d} = 100 \text{ dB(A)}$
Vibration	Arme: $\leq 2.5 \text{ m/s}^2$ , $K = 1.5 \text{ m/s}^2$
	Körper: $\leq 2.5 \text{ m/s}^2$ , $K = 1.5 \text{ m/s}^2$

## 11 GARANTIEBESTIMMUNGEN

### 11.1 WAS WIRD DURCH DIESE GARANTIE ABGEDECKT

Cramer gewährt die folgende Garantie nur dem Erstkäufer ("Eigentümer") - die Garantie ist nicht übertragbar:

**A. Verwendung zum Privatgebrauch:** Cramer-Produkte, die für den normalen Privatgebrauch\* genutzt werden, unterliegen einer Garantie von fünf (5) Jahren oder 1.500 Betriebsstunden (je nachdem, was zuerst eintritt) ab Kaufdatum auf alle Materialien und die Verarbeitung von Fahrgestell, Mähwerk und Batterien. Für Verbrauchsmaterialien wie Reifen und Messer gilt eine Garantie von dreißig (30) Tagen ab Kaufdatum. Wenn der Eigentümer innerhalb dieser Garantiezeit einen Material- oder Verarbeitungsfehler feststellt, gilt folgendes:

- Der Eigentümer muss Cramer oder einen autorisierten Händler unverzüglich schriftlich oder per E-Mail, Telefonanruf, App oder persönlich über den Mangel informieren. In keinem Fall darf eine solche Mitteilung später als fünf (5) Jahre nach dem Kaufdatum bei Cramer oder einem autorisierten Händler eingehen.
- Innerhalb eines angemessenen Zeitraums nach einer solchen Benachrichtigung und der Überprüfung eines garantiepflichtigen Defekts behebt Cramer jeden Material- oder Verarbeitungsfehler am Cramer-Produkt, indem es nach eigenem Ermessen Teile repariert oder durch neue oder gebrauchte Ersatzteile ersetzt.
- Eine solche Reparatur, einschließlich Teilen und Arbeit, geht ausschließlich für den ursprünglichen Eigentümer zu Lasten von Cramer.



**B. Gewerbliche Nutzung:** Cramer-Produkte, die für kommerzielle und institutionelle Zwecke verwendet werden, unterliegen einer Garantie von fünf (5) Jahren oder 1.500 Betriebsstunden (je nachdem, was zuerst eintritt) ab dem Kaufdatum auf alle Materialien und die Verarbeitung von Fahrgestell, Mähwerk und Batterien. Für Verbrauchsmaterial (einschließlich, aber nicht beschränkt auf Reifen und Messer) gilt eine Garantie von dreißig (30) Tagen ab dem Kaufdatum. Wenn der Eigentümer innerhalb dieser Garantiezeit einen Material- oder Verarbeitungsfehler feststellt, gilt folgendes:

- Der Eigentümer muss Cramer oder einen autorisierten Händler unverzüglich schriftlich, per E-Mail, Telefonanruf, App oder persönlich über den Defekt informieren. In keinem Fall darf eine solche Mitteilung später als fünf (5) Jahre nach dem Kaufdatum bei Cramer oder einem autorisierten Händler eingehen.
- Innerhalb eines angemessenen Zeitraums nach einer solchen Benachrichtigung und Überprüfung eines garantispflichtigen Mangels behebt Cramer jeden Material- oder Verarbeitungsfehler an dem Cramer-Produkt, indem es nach eigenem Ermessen Teile repariert oder durch neue oder gebrauchte Ersatzteile ersetzt.
- Eine solche Reparatur, einschließlich Teilen und Arbeit, geht ausschließlich für den ursprünglichen (gewerblichen) Eigentümer zu Lasten von Cramer.

## i HINWEIS

Wenn die Batterien nicht ordnungsgemäß gewartet und vollständig aufgeladen werden, verkürzt sich die Standzeit der Batterien und die Batteriegarantie tritt außer Kraft. Die Bestimmungen dieser eingeschränkten Garantie gelten nicht für Ausfälle aufgrund von:

- Missbrauch oder Vernachlässigung, wie z. B. Wasserschäden, lose Kabel oder verrostete oder korrodierte Teile.
- Fehlende ordnungsgemäße Wartung, Schäden durch unsachgemäßen Einbau der Batterie, Vernachlässigung, Bruch, extreme Temperaturbedingungen, einschließlich, aber nicht beschränkt auf Temperaturen unter dem Gefrierpunkt, heiße Temperaturen, Nähe zu Wärmequellen einschließlich Heizgeräten oder Feuer, Kontakt mit Wasser oder anderen Substanzen, Bruchstücke, Betrieb der Batterie in überladener oder ungeladener Zustand.
- Eine Batterie, die mit anderen Systemen als dem Original-Batterieladegerät geladen wird.

**Fußnote:** *„Normaler Privatgebrauch“, wie hier verwendet, bedeutet die Nutzung des Produkts auf demselben Grundstück, auf dem Ihr Haus steht. Die Nutzung an mehr als einem Ort gilt als gewerbliche Nutzung, für die dann die Garantie für gewerbliche Nutzung gilt.*

## 11.2 WER ERBRINGT DIE GARANTIELEISTUNG

Alle Garantieleistungen werden durch einen von Cramer autorisierten Händler oder einen von Cramer autorisierten Servicetechniker erbracht. Serviceanrufe und/oder die Kosten für den Transport des Produkts zum und vom autorisierten Händler für Garantiearbeiten werden vom Eigentümer des Produkts getragen. Für Garantieleistungen wenden Sie sich bitte an einen autorisierten Händler.

## 11.3 WAS VON DIESER GARANTIE NICHT ABGEDECKT IST

Cramer übernimmt keine Garantie:

- Reparaturen, die von Unbefugten durchgeführt werden.
- Schäden durch die Verwendung des Cramer-Produkts für andere als die vorgesehenen Zwecke.
- Schäden durch Katastrophen wie Feuer, Überschwemmung, Wind und Blitzschlag.
- Schäden durch Vernachlässigung, Missbrauch, unsachgemäßen oder unangemessenen Gebrauch, Unfälle, Fahrlässigkeit oder Fehlgenebrauch wie Wasserschäden.
- Reparaturen oder Ersatz, die durch die Verwendung von nicht zugelassenen Teilen, Zubehör oder Anbaugeräten notwendig werden.
- Reparaturen oder Austausch infolge von Änderungen oder Modifikationen, die nach Auffassung von Cramer den Betrieb, die Leistung oder die Haltbarkeit des Geräts beeinträchtigen.
- Produkte, Komponenten oder Teile, die nicht von Cramer hergestellt wurden.
- Produkte, deren Kennzeichnung verändert wurde, einschließlich, aber nicht beschränkt auf, entfernte und/oder unleserlich gemachte Seriennummern.
- Beeinträchtigung oder Schäden durch normale Abnutzung, fehlende angemessene und ordnungsgemäße Wartung, Nichtbeachtung der Betriebs-, Wartungs- und Einstellanweisungen im Benutzerhandbuch des Produkts oder anderer von Cramer bereitgestellter Betriebsanweisungen.
- Normale Wartungsteile und Serviceleistungen, einschließlich, aber nicht beschränkt auf Schmiermittel, Tuningteile, Messer, Schärfe der Messer, Lager, Brems- oder Lenkungseinstellungen.

- Produkte mit einer nicht genehmigten Programmierung für dieses Produkt, einschließlich Änderungen von Parametern, Aftermarket-Programmierung oder -Anpassungen oder jegliche nicht genehmigte Änderung von Komponenten, Elektronik oder Software.

## 11.4 AUSSCHLUSS DER GEWÄHRLEISTUNG

Die obigen Garantien treten an die Stelle aller anderen ausdrücklichen oder implizierten Garantien, einschließlich, aber nicht beschränkt auf die implizierten Garantien der Marktgängigkeit und der Eignung für einen bestimmten Verwendungszweck. Wenn das Cramer-Produkt jedoch als Verbraucherprodukt erworben wird, ist jede implizierte Garantie der Marktgängigkeit oder der Eignung für einen bestimmten Verwendungszweck auf die Dauer dieser beschränkten Garantie beschränkt. In einigen Ländern ist eine Begrenzung der Dauer einer implizierten Garantie nicht zulässig, so dass die obige Einschränkung möglicherweise nicht auf Sie zutrifft. Diese Garantie gibt Ihnen bestimmte gesetzliche Rechte, und Sie können auch andere Rechte haben, die von Staat zu Staat variieren.

## 11.5 BEGRENZUNG DER RECHTSMITTEL

In keinem Fall haftet Cramer für Sonder-, Neben- oder Folgeschäden, die auf einer Garantieverletzung, einem Vertragsbruch, einer Fahrlässigkeit, einer verschuldensunabhängigen Haftung aus unerlaubter Handlung oder einer anderen Rechtslehre beruhen. Diese Schäden umfassen unter anderem:

- Verlust von Gewinnen
- Verlust von Ersparnissen oder Einnahmen
- Verlust der Nutzung des Cramer-Produkts oder der zugehörigen Ausstattung
- Kapitalkosten
- Kosten für Ersatzgeräte, Einrichtungen, Dienstleistungen oder Ausfallzeiten
- Die Ansprüche Dritter, einschließlich Kunden, und die Verletzung von Eigentum

## 11.6 ZEITLICHE BEGRENZUNG

Es sei denn, nationales Recht bestimmt etwas anderes:

Jede Klage wegen Verletzung der Garantie muss innerhalb von fünf (5) Jahren oder sechzig (60) Monaten ab dem Kaufdatum bei privater und/oder gewerblicher Anwendung eingereicht werden.

Falls das Herstellungsdatum mehr als einen angemessenen Zeitraum vor dem Erstkauf durch den Kunden liegt, kann die Garantie von Cramer zusätzlich eingeschränkt sein.

## 11.7 KEINE WEITEREN GARANTIEN

Diese Vereinbarung gilt als die vollständige und ausschließliche Vereinbarung zwischen den Parteien und ersetzt alle früheren mündlichen oder schriftlichen Vereinbarungen und alle anderen Mitteilungen zwischen den Parteien, die sich auf den Gegenstand dieser Vereinbarung beziehen.

## 11.8 VERANTWORTUNG DES EIGENTÜMERS

Sie müssen Ihr Cramer-Produkt den in der Bedienungsanleitung beschriebenen Wartungsmaßnahmen entsprechend warten. Eine solche Routinewartung geht zu Ihren Lasten, egal, ob sie von einem Händler oder von Ihnen selbst durchgeführt wird.

Diese Maschine ist, wie jedes andere motorbetriebene Gerät, potenziell gefährlich, wenn sie nicht ordnungsgemäß bedient wird. Jeder Bediener muss vorsichtig vorgehen und jederzeit auf die Sicherheit achten. Jeder Bediener sollte sich vor der Verwendung des Cramer-Produkts gründlich mit der Bedienungsanleitung und den Sicherheitshinweisen an der Maschine selbst vertraut machen, um den Betrieb und die Sicherheitsanforderungen zu verstehen.

## 11.9 AUFTEILUNG DER RISIKEN

In dieser Vereinbarung werden die Risiken eines Produktausfalls zwischen Cramer und dem Eigentümer aufgeteilt. Diese Aufteilung wird von beiden Parteien anerkannt und spiegelt sich im Preis der Waren wider.

## 11.10 GARANTIEREGISTRIERUNG

Es sei denn, nationales Recht bestimmt etwas anderes:

1. Die Eigentümer müssen das Gerät innerhalb von zehn (10) Tagen nach dem Kaufdatum bei Cramer anmelden.

- Die Registrierung kann durch Ausfüllen des Formulars zur Garantieregistrierung erfolgen, das in der Betriebsanleitung enthalten ist.
- Die Registrierung kann auch über Online-Formulare unter [cramertools.com](https://www.cramertools.com) oder über die App unter Vorlage eines Kaufbelegs (Quittung mit Kaufdatum) erfolgen.

## 12 EG-KONFORMITÄTSERKLÄRUNG

Name und Anschrift des Herstellers:

Name: Greenworks Tools Europe GmbH  
Adresse: Brunnenweg 17, 64331 Weiterstadt, Deutschland

Name und Anschrift der Person, die zur Erstellung der technischen Unterlagen berechtigt ist:

Name: Ralf Pankalla  
Adresse: Brunnenweg 17, 64331 Weiterstadt, Deutschland

Hiermit erklären wir, dass das Produkt

Kategorie: Rasentraktor  
Modell: 82LT107  
Seriennummer: Siehe Produktetikett  
Baujahr: Siehe Produktetikett

- den einschlägigen Bestimmungen der Maschinenrichtlinie 2006/42/EG entspricht.
- den Bestimmungen der folgenden anderen EG-Richtlinien entspricht:
  - 2014/30/EU
  - 2011/65/EU & 2015/863/EU

Darüber hinaus erklären wir, dass die folgenden (Teile/Klauseln von) europäischen harmonisierten Normen verwendet wurden:

- EN 62841-1, EN ISO 5395-1, EN ISO 5395-3, EN ISO 14982, IEC 62321-3-1, IEC 62321-4, IEC 62321-5, IEC 62321-6, IEC 62321-7-1, IEC 62321-7-2, IEC 62321-8

Ort, Datum: 11.11.2022

Unterschrift: Ted Qu, Qualitätsleiter

Ted Qu

<b>1 Descripción.....</b>	<b>53</b>	7.4 Lubricación.....	66
1.1 Perspectiva general.....	53	7.5 Valores de par.....	66
1.2 Panel de control.....	53	7.6 Mantenimiento de la batería.....	67
<b>2 Desembalaje de la máquina.....</b>	<b>54</b>	7.7 Mantenimiento del filtro del compartimento de la batería.....	67
<b>3 Instalación.....</b>	<b>54</b>	7.8 Servicio.....	67
3.1 Instalación del asiento.....	54	<b>8 Transporte y almacenamiento..</b>	<b>68</b>
3.2 Instalación del volante.....	54	8.1 Transporte.....	68
3.3 Instalación de la cubierta de mulching.....	55	8.2 Limpieza y almacenamiento.....	69
3.4 Ruedas anti-calvas.....	55	<b>9 Solución de problemas.....</b>	<b>71</b>
3.5 Utilización de la aplicación.....	55	<b>10 Datos técnicos.....</b>	<b>74</b>
<b>4 Instrucciones de funcionamiento.....</b>	<b>55</b>	<b>11 Garantía limitada.....</b>	<b>74</b>
4.1 Antes del funcionamiento.....	55	11.1 Cobertura de la presente garantía.....	74
4.2 Funcionamiento de la máquina.....	57	11.2 Quién debe llevar a cabo el servicio bajo garantía.....	75
<b>5 Sistema eléctrico.....</b>	<b>59</b>	11.3 Lo que no cubre la presente garantía.....	75
5.1 Seguridad del sistema eléctrico.....	59	11.4 Descargo de garantía.....	76
5.2 Información del sistema eléctrico.....	60	11.5 Limitación de reparaciones.....	76
5.3 Pantalla digital.....	60	11.6 Límite de tiempo.....	76
<b>6 Errores.....</b>	<b>61</b>	11.7 Ausencia de otras garantías.....	76
6.1 Código de error.....	62	11.8 Responsabilidad del propietario.....	76
<b>7 Mantenimiento.....</b>	<b>64</b>	11.9 Asignación de riesgos.....	76
7.1 Mantenimiento de las cuchillas del cortacésped.....	64	11.10 Registro de la garantía.....	76
7.2 Sustitución de la luz delantera.....	65	<b>12 Declaración de conformidad CE.....</b>	<b>77</b>
7.3 Neumáticos.....	66		

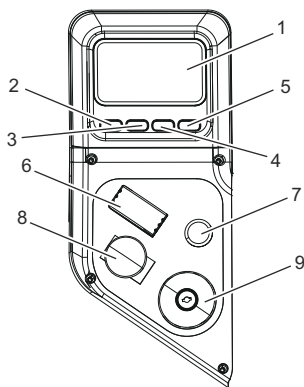
## 1 DESCRIPCIÓN

### 1.1 PERSPECTIVA GENERAL

Consulte la hoja de figuras que se entrega por separado 1-20

- |   |                                |
|---|--------------------------------|
| 1 Palanca de ajuste del asiento             | 18 Placa de cubierta           |
| 2 Conducto de descarga lateral              | 19 Cubierta de mulching        |
| 3 Pedal del freno                           | 20 Corona de apoyo             |
| 4 Panel de control                          | 21 Abrazaderas de fijación     |
| 5 Palanca de ajuste de altura de plataforma | 22 Número de serie             |
| 6 Pedal del acelerador                      | 23 Código de emparejamiento    |
| 7 Asa del freno de estacionamiento          | 24 Código QR                   |
| 8 Luces delanteras                          | 25 Compartimento de la batería |
| 9 Portavasos                                | 26 Batería                     |
| 10 Puerto USB                               | 27 Cierre de la batería        |
| 11 Ruedas anti-calvas                       | 28 Cuchilla                    |
| 12 Panel del asiento                        | 29 Puerto de llenado de aceite |
| 13 Conector del asiento                     | 30 Salida de drenaje de aceite |
| 14 Eje de dirección                         | 31 Manguera de jardín          |
| 15 Acoplamiento                             | 32 Acoplamiento rápido         |
| 16 Columna de dirección                     | 33 Puerto de lavado            |
| 17 Volante                                  |                                |

### 1.2 PANEL DE CONTROL



#	Nombre	Función
1	Pantalla digital	Esta pantalla muestra información importante sobre el sistema eléctrico. Consulte la sección Datos eléctricos para obtener toda la información.
2	Control de velocidad del motor de la cuchilla / Ret-roceso	Ajusta la velocidad de la cuchilla (cíclico) cuando está en la página de inicio. Pulse el botón para regresar a la página anterior.
3	Navegación por el menú / Re Pág	Pasa la pantalla digital a la última página. Regreso a la pantalla de inicio.
4	Interruptor de luces / Av Pág	Enciende o apaga las luces cuando está en la página de inicio. Pasa la pantalla digital a la página siguiente.
5	Botón de control de cruceo / Confirmar	Pulse y mantenga pulsado durante 0,4s para activar la función de control de cruceo, pulse el botón para confirmar.
6	Interruptor de control de dirección	La dirección de movimiento del cortacésped se controla mediante el interruptor de control de dirección. Los ajustes disponibles son Conducción (D), Punto muerto (N) y Marcha atrás (R).
7	Botón de segado marcha atrás	Para cortar marcha atrás debe activarse el botón de segado marcha atrás.
8	Interruptor de encendido	El interruptor se utiliza para encender y apagar el cortacésped. La llave de arranque debe insertarse antes de poder accionar el interruptor.
9	Interruptor de encendido/apagado (PTO) de las cuchillas de la plataforma	Este interruptor acopla los motores de las cuchillas. Tire del interruptor hacia arriba para acoplar y empuje el interruptor hacia abajo para desacoplar los motores.

### i IMPORTANTE

Nunca acople los motores de las cuchillas cuando la plataforma esté bajo carga. Los motores o la plataforma podrían sufrir daños.

## 2 DESEMBALAJE DE LA MÁQUINA

### ▲ AVISO

Asegúrese de montar correctamente la máquina antes del uso.

### ▲ AVISO

- Si las piezas de la máquina presentan daños, no utilice la máquina.
- Si faltan piezas, no haga funcionar la máquina.
- Si faltan piezas o hay piezas dañadas, contacte el centro de servicio.

1. Abra el embalaje.
2. Lea la documentación que se encuentra en la caja.
3. Retire todas las piezas sin montar de la caja.
4. Retire la máquina de la caja.
5. Deseche la caja y el material de embalaje de conformidad con los reglamentos locales.

### ▲ AVISO

Por su seguridad personal, no inserte la batería antes de haber montado la herramienta por completo.

## 3 INSTALACIÓN

### 3.1 INSTALACIÓN DEL ASIENTO

Véase la figura 3

1. Coloque el conjunto del asiento sobre el panel del asiento y alinee los orificios como se muestra.
2. Instale los pernos, las arandelas y las tuercas y apriete firmemente.
3. Conecte los manguitos a las tuercas.
4. Asegúrese de que quede firmemente asentado.
5. Conecte el conector del asiento a la máquina.

### 3.2 INSTALACIÓN DEL VOLANTE

Véase la figura 4-5

### i NOTA

Asegúrese de que la ranura esté orientada hacia arriba en dirección al asiento.

1. Instale el eje de dirección en el acoplamiento, girando según sea necesario para alinear el orificio del eje con el orificio de perno en el acoplamiento.
2. Instale dos pernos y apriete firmemente.

### i NOTA

Apriete los pernos al valor de par indicado.

3. Instale la columna de dirección. Observe las lengüetas de la parte inferior de la columna de dirección que encajan en los orificios de la abertura y asegúrese de que la columna de dirección esté bien asentada.
4. Asegúrese de que la rueda del cortacésped esté en línea recta, posteriormente, instale el volante sobre la columna de dirección con fuerza.
5. Instale el perno y la arandela y apriete firmemente.
6. Instale la placa de cubierta del volante.

### 3.3 INSTALACIÓN DE LA CUBIERTA DE MULCHING

Véase la figura 6

El cortacésped está configurado para la descarga lateral cuando se envía. Si desea utilizarlo para hacer mulching:

1. Coloque la cubierta de mulching sobre la pestaña de la carcasa del cortacésped.
2. Alinee los orificios de la cubierta de mulching y los orificios de la carcasa del cortacésped.
3. Instale y apriete los pernos, los tornillos, las abrazaderas de fijación y la corona de apoyo como se muestra.

### 3.4 RUEDAS ANTI-CALVAS

Véase la figura 2

Los kits de las ruedas anti-calvas vienen de serie en las unidades Cramer. Estas ruedas anti-calvas se han diseñado para minimizar las calvas al segar en terrenos difíciles e irregulares. Tras ajustar la altura de corte, ajuste las ruedas anti-calvas para que se extiendan por debajo de la plataforma, pero no toquen el suelo. Siempre deben estar al menos entre 0,6 cm y 1,9 cm por debajo de la plataforma. Con la unidad asentada sobre una superficie plana a nivel, la posición de la rueda puede ajustarse hacia arriba o abajo según sea necesario desde 1,9 cm a 4,4 cm por debajo de la superficie de la cuchilla. Mueva las ruedas hacia arriba o abajo, utilizando los diferentes orificios de montaje del eje en el soporte de montaje de la rueda (si corresponde en el modelo).

### 3.5 UTILIZACIÓN DE LA APLICACIÓN

Véase la figura 7-8

1. Visite el sitio web de Fleet Management: [fleet.cramertools.com](http://fleet.cramertools.com)
2. Cree una cuenta y, posteriormente, inicie sesión.
3. Invite a otros usuarios de su organización.
4. Escanee el código QR, descargue la aplicación e inicie sesión.
5. Añada un dispositivo. Busque en este manual el número de serie, el código de emparejamiento y el código QR en la etiqueta correspondiente del vehículo. Escanee el código QR o tecléelo manualmente.

## 4 INSTRUCCIONES DE FUNCIONAMIENTO

### 4.1 ANTES DEL FUNCIONAMIENTO

#### 4.1.1 AJUSTE DEL ASIENTO

Véase la figura 9

Ajuste la posición del asiento para asegurarse de poder hacer contacto firme con el pedal del acelerador y del freno antes de manejar el cortacésped.

1. Siéntese en el asiento y levante la palanca de ajuste del asiento.
2. Mientras sujeta la palanca, deslice el asiento hacia la posición deseada.
3. Suelte la palanca y asegúrese de que el asiento esté bloqueado en su posición antes de manejar el cortacésped.

#### ▲ AVISO

Asegúrese de que el asiento esté bloqueado en su posición antes de manejar el cortacésped. Un asiento que no es seguro puede hacer que el operario cambie de posición y pierda el control del cortacésped, lo que podría provocar lesiones personales graves o incluso la muerte.

#### 4.1.2 AJUSTE DE LA ALTURA DE LA PLATAFORMA DE CORTE

Véase la figura 10

Antes de utilizar el cortacésped, eleve la altura de la plataforma a la posición de corte más adecuada para su césped.

La altura de la plataforma es ajustable desde 3.81-11.4 cm. La plataforma debe estar elevada durante el corte para evitar tocones, piedras u otros obstáculos que podrían dañar la plataforma del cortacésped.

## ▲ PRECAUCIÓN

Sostenga firmemente la palanca de ajuste de altura de la plataforma cuando ajuste la altura de la plataforma y suéltela únicamente cuando esté fijada en la ranura deseada. Si suelta rápidamente la palanca puede generarse un riesgo de pellizco o de arrastre de la mano del operario.

1. Detenga el cortacésped y desacople las cuchillas.
2. Gire la llave a la posición de apagado y aplique el freno de estacionamiento.
3. Para elevar la plataforma de corte, agarre la palanca de ajuste de altura de la plataforma, empuje hacia la izquierda para desacoplar de la ranura, mueva hacia la parte posterior del cortacésped, posteriormente, empuje hacia la derecha en la ranura para fijarla.
4. Para bajar la plataforma de corte, agarre la palanca de ajuste de altura de la plataforma, empuje hacia la izquierda para desacoplar de la ranura, mueva hacia la parte delantera del cortacésped, posteriormente, empuje hacia la derecha en la ranura para fijarla.

### 4.1.3 INSTALACIÓN DE LA BATERÍA

Véase la figura 11

Para verificar que las baterías del cortacésped están totalmente cargadas, compruebe el indicador de nivel de batería. Consulte el manual de la batería para obtener más información.

1. Levante el panel del asiento.
2. Levante la cubierta del compartimento de la batería.
3. Instale la batería en el compartimento de la batería.

## ▲ AVISO

Alinee las nervaduras de la batería con el puerto de la batería. Asegúrese de que el cierre de la batería encaje con suavidad en el compartimento de la batería.

### 4.1.4 ANTES DE MANEJAR LA MÁQUINA

- Asegúrese de que no haya niños, transeúntes ni mascotas en la zona de trabajo.
- Limpie la zona de trabajo de objetos que podrían salir proyectados por las cuchillas del cortacésped.
- Compruebe el funcionamiento del freno.
- Compruebe la presión de los neumáticos.
- Compruebe si hay elementos de fijación flojos.
- Compruebe que todas las protecciones estén en su posición y funcionen correctamente.
- Limpie los residuos del cortacésped.
- Pruebe el sistema de interbloqueo de seguridad.
- Ajuste el asiento en la posición deseada.
- Verifique el nivel de carga de la batería.

### 4.1.5 SISTEMA DE INTERBLOQUEO DE SEGURIDAD

Véase la figura 12

Este cortacésped cuenta con un sistema de interbloqueo de seguridad para proteger al operario que desconecta las cuchillas si este se levanta del asiento con las cuchillas en funcionamiento. Pruebe el sistema para asegurarse de que funcione correctamente.

1. Asegúrese de que el interruptor de control de dirección esté en la posición de punto muerto (N) y que el interruptor PTO esté hacia abajo.
2. Inserte la llave de arranque y gírela a la posición de encendido.
3. Suelte el freno de estacionamiento.
4. Levante el interruptor PTO para activar las cuchillas.
5. Levántese brevemente del asiento, pero no salga del cortacésped.

Las cuchillas deben desconectarse en 5 segundos. Si no es el caso, contacte con el servicio de atención al cliente. No utilice el cortacésped hasta que se haya reparado el sistema de interbloqueo de seguridad.



## 4.2 FUNCIONAMIENTO DE LA MÁQUINA

### 4.2.1 PUESTA EN MARCHA DE LA MÁQUINA

#### **i** NOTA

Mantenga la zona libre de transeúntes antes de manejar el cortacésped. Si alguien entra en la zona de corte, deténgase inmediatamente y no vuelva a segar hasta que los transeúntes abandonen la zona.

1. Levante la plataforma del cortacésped a su posición más alta.
2. Inserte la llave de arranque y gírela a la posición de encendido.
3. Pulse el interruptor de control de dirección en la posición de punto muerto (N).
4. Suelte el freno de estacionamiento.
5. Tire hacia arriba del interruptor PTO de la plataforma para poner en marcha las cuchillas para segar.
6. Pulse el interruptor de control de dirección en la posición de conducción (F) y conduzca hasta la zona de corte deseada.

#### **i** NOTA

Tenga cuidado al cruzar sobre caminos o senderos de grava. Antes de cruzar, desacople las cuchillas y levante la plataforma de corte a la posición más alta para minimizar la posibilidad de rebote. Conduzca lentamente para evitar la pérdida de tracción y de control.

#### **i** NOTA

No intente cambiar la dirección de funcionamiento mientras el cortacésped esté en movimiento. Deténgase siempre por completo antes de cambiar la dirección del cortacésped.

### 4.2.2 ACTIVACIÓN DEL CONTROL DE CRUCERO

1. Mientras conduce el cortacésped marcha hacia delante, pise el pedal del acelerador hasta alcanzar la velocidad deseada.
2. Pulse el botón de control de crucero y manténgalo pulsado durante 0,4s.
3. Libere la presión del pedal del acelerador. La velocidad del cortacésped debe permanecer constante.

### 4.2.3 DESACTIVACIÓN DEL CONTROL DE CRUCERO

1. Toque el pedal del acelerador, pise el pedal del freno.

### 4.2.4 APLICACIÓN DEL FRENO DE ESTACIONAMIENTO

1. Pise a fondo y mantenga el pedal del freno.
2. Lleve el asa del freno de estacionamiento hacia arriba y manténgala.
3. Suelte el pedal del freno.
4. Suelte el asa del freno de estacionamiento.

#### **▲** AVISO

Nunca deje el cortacésped sin vigilancia cuando el motor esté en marcha. Verifique que el freno de estacionamiento esté aplicado y que se haya quitado la llave. De no aplicarse el freno de estacionamiento, el cortacésped podría moverse y en caso de dejar la llave puesta, podría permitirse un uso no autorizado que podría provocar lesiones personales graves.

### 4.2.5 LIBERACIÓN DEL FRENO DE ESTACIONAMIENTO

1. Pise el pedal del freno para liberar el freno de estacionamiento.

### 4.2.6 DETENCIÓN DE LA MÁQUINA

1. Detenga el cortacésped sobre una superficie plana y nivelada.
2. Aplique el freno de estacionamiento.

3. Pulse el interruptor de toma de fuerza (PTO) para desactivar las cuchillas.
4. Gire la llave a la posición de apagado.

## 4.2.7 FUNCIONAMIENTO DEL MODO DE MARCHA ATRÁS

Véase la figura 13

- Pise el pedal del freno y detenga por completo el cortacésped.
- Pulse el interruptor de toma de fuerza (PTO) para desactivar las cuchillas.
- Sitúe el interruptor de control de dirección en la posición de marcha atrás (R).
- Pulse el botón de segado marcha atrás.
- Levante el interruptor PTO, pise lentamente el pedal del acelerador y siga marcha atrás según sea necesario.

### ▲ AVISO

No siga marcha atrás a menos que sea absolutamente necesario. Mire siempre hacia abajo y hacia atrás antes mientras se desplaza marcha atrás para asegurarse de que ningún niño, transeúnte o mascota entre en la zona de corte. Recuerde que una fracción de segundo de descuido es suficiente para infligir lesiones graves o incluso la muerte.

### ▲ AVISO

Tenga especial cuidado antes y cuando se desplace marcha atrás con el kit de recogida en bolsa (no incluido) instalado, ya que puede limitar la visibilidad. Mire siempre atentamente hacia atrás y hacia abajo en busca de niños pequeños, transeúntes y mascotas, y mueva el cortacésped lentamente para evitar accidentes que puedan provocar lesiones personales graves o incluso la muerte.

## 4.2.8 USO DEL PUERTO USB

Véase la figura 14

El puerto de carga USB ofrece una potencia de carga de 5 V CC hasta 2,1 A para su teléfono móvil, reproductor MP3 u otros dispositivos USB. Consulte el manual del propietario de su dispositivo para conocer los requisitos de carga específicos.

Conecte un extremo de un cable USB (no incluido) a su dispositivo y el otro extremo al puerto de carga USB del cortacésped, para comenzar a cargar su dispositivo.

### i NOTA

Si intenta cargar dispositivos con un valor nominal superior a 2,1 A podría dañar el puerto de carga USB o el cortacésped.

### i NOTA

El puerto USB solo recibe alimentación cuando la máquina se pone en marcha.

### ▲ AVISO

Nunca utilice auriculares ni cualquier otro dispositivo electrónico, como un smartphone o tablet, mientras maneja el cortacésped. En caso de distracción durante el funcionamiento puede sufrir un accidente que podría provocar lesiones personales graves o incluso la muerte al operario o a un transeúnte.

## 4.2.9 CONSEJOS DE FUNCIONAMIENTO

Véase la figura 15

- Mantenga afiladas las cuchillas del cortacésped.
- Asegúrese de que el césped no tenga piedras, palos, cables, juguetes, frutos de árboles, ramas y otros objetos que puedan dañar las cuchillas o el motor del cortacésped. No siga sobre estacas de delimitación u otros postes metálicos. Dichos objetos podrían dañar las cuchillas o salir despedidos accidentalmente en cualquier dirección debido al cortacésped y provocar lesiones personales graves al operario y a otras personas.
- Para lograr un césped sano, corte siempre un tercio o menos de la longitud total de la hierba.

- Al segar grandes superficies, empiece girando hacia la derecha para que los recortes se descarguen lejos de los arbustos, las vallas, las calzadas, etc. Después de una o dos vueltas, siegue en la dirección contraria, con giros a la izquierda hasta que termine.
- Siegue de manera que los recortes descargados salgan en dirección a la zona de césped que ya ha sido cortada.
- Cuando corte hierba pesada, reduzca la velocidad para permitir un corte más eficaz y una descarga adecuada de los recortes.
- **Durante el corte normal**, corte solo aproximadamente 38 mm (1,5") de la brizna de hierba. No se recomienda cortar más que eso, a menos que la hierba sea escasa o sea el final de la temporada de corte.
- No corte hierba mojada. Se pegará a la parte inferior de la plataforma e impedirá que los recortes de hierba se recojan en una bolsa o trituren correctamente.
- La hierba nueva o tupida puede necesitar un corte más estrecho o una mayor altura de corte.
- Mantenga la limpieza de la plataforma del cortacésped y del conducto de descarga lateral. Retire los recortes de hierba, las hojas, la suciedad y cualquier otro residuo acumulado antes y después de cada uso. No limpie con una manguera de jardín.

### i NOTA

Detenga siempre el cortacésped, deje que las cuchillas se detengan por completo y retire la llave de arranque antes de limpiar la parte inferior del cortacésped.

#### 4.2.10 FUNCIONAMIENTO EN PENDIENTES

Véase la figura 16

Las pendientes son un factor principal relacionado con la pérdida de control y los accidentes por vuelcos, que pueden provocar lesiones graves o incluso la muerte. Durante el funcionamiento en cualquier pendiente, es necesario tomar precauciones adicionales. Si no puede retroceder por la pendiente o si se siente incómodo en ella, no la siegue.

- En las pendientes, circule en la dirección recomendada por el fabricante. Tenga cuidado al trabajar cerca de desniveles.
- No utilice la máquina en condiciones en las que se cuestione la tracción, la dirección o la estabilidad. Los neumáticos podrían resbalar, aunque las ruedas estén paradas.
- Cuando descienda una pendiente, lleve siempre una marcha puesta. No descienda en punto muerto.
- Las pendientes deben segarse hacia arriba y abajo, no transversalmente.
- Observe si hay agujeros, surcos, baches, piedras u otros objetos ocultos. El terreno irregular puede provocar el vuelco de la máquina. La hierba alta puede ocultar obstáculos.
- No siegue cerca de desniveles, zanjas o terraplenes. La máquina podría volcar repentinamente si una rueda alcanza el borde o si el borde cede.
- Elija una velocidad de avance baja para no tener que detenerse o cambiar de marcha mientras está en una pendiente.
- No siegue hierba mojada. Los neumáticos pueden perder tracción.
- Evite arrancar, detenerse o girar en una pendiente. Si los neumáticos pierden tracción, desacople las cuchillas y avance lentamente en dirección descendente por la pendiente.
- Todos los movimientos en pendientes deben ser lentos y graduales. No realice cambios bruscos de velocidad o dirección, que podrían hacer que la máquina vuelque.
- Tenga especial cuidado al manejar la máquina con accesorios; pueden influir en la estabilidad de la máquina. No utilice en pendientes pronunciadas.
- Si utiliza el kit opcional de recogida en bolsa, extreme las precauciones y maneje el cortacésped lentamente cuando trabaje en pendientes, ya que el kit de recogida en bolsa puede modificar la estabilidad del cortacésped.
- Utilice siempre los frenos cuando se desplace hacia abajo en una pendiente. No intente dejar que el cortacésped descienda en punto muerto.

## 5 SISTEMA ELÉCTRICO

### 5.1 SEGURIDAD DEL SISTEMA ELÉCTRICO

- Retire la llave y las baterías, y lea el manual del propietario antes de ajustar o reparar la unidad.

- Retire siempre la llave y las baterías antes de trabajar en esta unidad.
- Retire siempre la llave y las baterías al transportar la unidad.
- Mantenga la unidad limpia de recortes de hierba, hojas y otros residuos. NO pulverice agua para limpiar la unidad. Utilice únicamente aire comprimido. Lleve protección ocular y auditiva adecuada al limpiar la unidad.
- Lleve siempre gafas de seguridad y equipos de protección cerca de la batería. Utilice herramientas aisladas.
- Limpie el compartimento de la batería, el compartimento del motor de propulsión, la plataforma del cortacésped, el asiento, etc., de toda la tierra y los residuos. No utilice disolventes, limpiadores agresivos o abrasivos.
- Con la llave en la posición de encendido, la cuchilla del cortacésped puede acoplarse cuando se acciona el interruptor de encendido/apagado (PTO) de las cuchillas de la plataforma, incluso si el motor de propulsión no está en funcionamiento. Mantenga la zona libre de transeúntes al accionar el interruptor de encendido/apagado de las cuchillas de la plataforma.
- Todas las zonas de mantenimiento y almacenamiento deben estar debidamente ventiladas de acuerdo con los códigos y las ordenanzas aplicables en materia de incendios para evitar los riesgos de incendio.
- Nunca permita la presencia de llamas, chispas ni fume cerca de las baterías.
- Mantenga las baterías fuera del alcance de los niños.
- Mantenga siempre las protecciones, cubiertas y protectores en su posición y bien fijados. Si resultan dañados, repare o sustituya inmediatamente. Nunca modifique ni retire los dispositivos de seguridad.

## 5.2 INFORMACIÓN DEL SISTEMA ELÉCTRICO

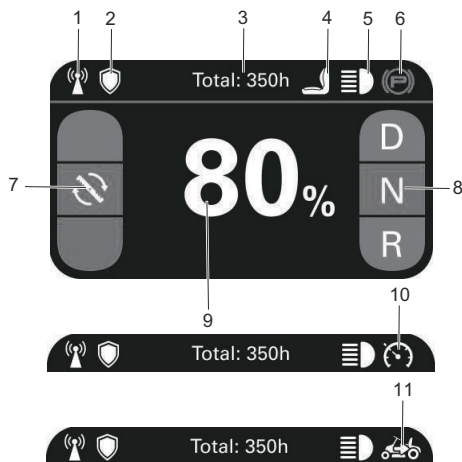
El cortacésped de Cramer recibe alimentación de un sistema eléctrico de 82 voltios. Consta de los siguientes componentes:

1. Controlador de cuchilla y transmisión (1)
2. Motor de cuchilla (2)
3. Acelerador (1)
4. Pantalla digital (1)
5. Motor de rueda (1)
6. Compartimento de la batería (1)

## 5.3 PANTALLA DIGITAL

La función de la pantalla digital, que se encuentra en el panel de control, es ofrecer información del sistema

eléctrico al operario. Ofrece información detallada en forma de patrones, códigos y números.



#	Nombre	Función
1		Señal GPS 4G
2		GreenShield
3	Total : 350h	Tiempo de funcionamiento del vehículo
4		El interruptor del asiento está cerrado.
5		Luces LED
6		El freno de estacionamiento está aplicado.
7		Velocidad de la cuchilla
8	D/N/R	Dirección de conducción: Conducción (D), Punto muerto (N) y Marcha atrás (R).
9	80%	Porcentaje de batería
10		Control de crucero
11		Se activa el modo de segado marcha atrás.

## 6 ERRORES

El sistema CANBUS emprenderá acciones para proteger al usuario y la máquina cuando detecte un problema. Cuando se apague la máquina o un componente, se indicará que se ha producido un error y dicho error se mostrará en la pantalla digital. Todos los errores eléctricos tienen un código de letra seguida por un número. La primera letra describe el sistema que ha generado el error de acuerdo con la siguiente tabla:

Nombre	Significado
T	Controlador y motor de propulsión
PMU	Unidad de gestión de alimentación (en el compartimento de la batería)
ML	Controlador del motor de la cuchilla izquierda
MR	Controlador del motor de la cuchilla derecha
V	Vehículo

## 6.1 CÓDIGO DE ERROR

Código de error	Descripción	Solución
T11	Sobretensión	La tensión es demasiado alta. Reinicie el suministro de alimentación.
T12	Infratensión	La tensión es demasiado baja. Cargue la batería antes del uso.
T13	Error de autocomprobación del controlador	Si encuentra este problema, contacte con su distribuidor para obtener una solución.
T14	Motor de propulsión calado	Compruebe si las ruedas de tracción están obstruidas y reinicie el suministro de alimentación.
T15	Error del codificador del motor	Compruebe que el conector de efecto Hall del controlador de transmisión esté correctamente conectado y, posteriormente, reinicie el suministro de alimentación.
T16	Error del circuito del excitador del controlador	Si encuentra este problema, contacte con su distribuidor para obtener una solución.
T17	Sobretemp. de sección de transmisión del controlador	La temperatura del controlador es demasiado alta. Espere que el controlador se enfríe y, posteriormente, reinicie el suministro de alimentación.
T18	Sobrecalentamiento del motor de propulsión	La temperatura del motor es demasiado alta. Espere que el motor se enfríe y, posteriormente, reinicie el suministro de alimentación.
T21	Sensor de temperatura del motor de propulsión anormal	Compruebe si hay anomalías en el cableado del sensor de temperatura.
T22	Sobrecorriente del hardware de sección de transmisión del controlador	La carga es demasiado alta. Reinicie el suministro de alimentación.
T23	Error de precarga	Reinicie el suministro de alimentación.
T25	Sobrecorriente del software de la transmisión	La carga es demasiado alta. Reinicie el suministro de alimentación.
T26	Error MOS de la transmisión	Si encuentra este problema, contacte con su distribuidor para obtener una solución.
T27	Fase del motor perdida	Compruebe que los cables del motor del controlador de transmisión estén correctamente conectados y, posteriormente, reinicie el suministro de alimentación.
T28	Sobretemp. del controlador de transmisión	La temperatura del controlador es demasiado alta. Espere que el controlador se enfríe y, posteriormente, reinicie el suministro de alimentación.
V14	Secuencia de funcionamiento de segado marcha atrás incorrecta	Pulse el botón de segado marcha atrás antes de segar marcha atrás.
V15	Error de autocomprobación del vehículo	<ol style="list-style-type: none"> <li>1. Antes de arrancar el vehículo, compruebe que el freno esté en la posición aplicada.</li> <li>2. Antes de arrancar el vehículo, sitúe el interruptor de corte en la posición de apagado y compruebe que el interruptor de corte esté conectado correctamente.</li> <li>3. Antes de arrancar el vehículo, sitúe la palanca de cambios FNR en la posición N.</li> <li>4. Compruebe que el conector situado debajo del asiento esté conectado correctamente.</li> </ol>

Código de error	Descripción	Solución
		5. No pulse el botón del control de cruce al arrancar el vehículo. 6. No pise el pedal del acelerador al arrancar el vehículo.
V16	Secuencia de funcionamiento incorrecta	Devuelva el acelerador y el interruptor de las cuchillas a sus posiciones iniciales.
V17	Error de comunicación de SPI	Reinicie el suministro de alimentación.
V18	Fallo del compartimento de la batería (PMU)	Compruebe que los cables del acelerador estén correctamente conectados y reinicie el suministro de alimentación.
V22	señal de cuchilla anormal	Compruebe que el interruptor de arranque de las cuchillas esté conectado correctamente y, posteriormente, devuelva el interruptor a su posición inicial.
V21	Error de comunicación CAN de PMU	Se ha agotado el tiempo de espera de la comunicación con el compartimento de la batería. Reinicie el suministro de alimentación.
V23	Interruptor de presencia del operario anormal	Compruebe que el conector situado debajo del asiento esté conectado correctamente y, posteriormente, reinicie el suministro de alimentación.
ML3	Sobrecorriente del software de cuchilla izquierda	Compruebe la carga de segado y reinicie el suministro de alimentación.
ML4	Cuchilla izquierda calada	Compruebe la carga de segado y devuelva el interruptor de arranque de las cuchillas a su posición inicial.
ML6	Error MOS de cuchilla izquierda	Si encuentra este problema, contacte con su distribuidor para obtener una solución.
ML7	Fase del motor de la cuchilla izquierda perdida	Compruebe que el controlador de la cuchilla y los cables del motor estén conectados correctamente y, posteriormente, reinicie el suministro de alimentación.
ML9	Temperatura anormal del controlador de la cuchilla izquierda	La temperatura del controlador es demasiado alta. Espere que el controlador se enfríe y, posteriormente, reinicie el suministro de alimentación.
ML14	Sobrecorriente del hardware de la cuchilla izquierda	Compruebe la carga de segado y reinicie el suministro de alimentación.
ML15	La cuchilla izquierda no se pone en marcha	Compruebe la carga de segado y devuelva el interruptor de arranque de las cuchillas a su posición inicial.
MR3	Protección de velocidad baja del motor	Compruebe la carga de segado y reinicie el suministro de alimentación.
MR4	Protección de sobrevelocidad del motor	Compruebe la carga de segado y devuelva el interruptor de arranque de las cuchillas a su posición inicial.
MR6	Error del sensor Hall del motor	Si encuentra este problema, contacte con su distribuidor para obtener una solución.
MR7	Fase del controlador perdida	Compruebe que el controlador de la cuchilla y los cables del motor estén conectados correctamente y, posteriormente, reinicie el suministro de alimentación.
MR9	Error de circuito abierto de MOS-FET	La temperatura del controlador es demasiado alta. Espere que el controlador se enfríe y, posteriormente, reinicie el suministro de alimentación.
MR14	Infratensión del controlador	Compruebe la carga de segado y reinicie el suministro de alimentación.

Código de error	Descripción	Solución
MR15	Sobretensión del controlador	Compruebe la carga de segado y devuelva el interruptor de arranque de las cuchillas a su posición inicial.
PMU10	Error de circuito abierto de batería	La temperatura del compartimento de la batería y de la batería es demasiado baja. Utilice la máquina a una temperatura adecuada y reinicie el suministro de alimentación.
PMU11	Error grave de PMU	La temperatura del compartimento de la batería y de la batería es demasiado alta. Espere que la batería se enfríe y, posteriormente, reinicie el suministro de alimentación.
PMU12	Error secundario de PMU	Un error grave en el compartimento de la batería ha impedido el arranque de los sistemas de transmisión y de las cuchillas. Reinicie el suministro de alimentación e inténtelo de nuevo.
PMU13	Sin batería disponible	Compruebe que esté utilizando la batería correcta y, posteriormente, reinicie el suministro de alimentación.
PMU	No hay suficientes baterías disponibles, la funcionalidad puede ser limitada.	Inserte más baterías.
NA	Error de comunicación de la pantalla	Compruebe las piezas de conexión de la pantalla y la red CAN.
	Pantalla seleccionada incorrecta	Seleccione la pantalla correcta para su modelo de vehículo

## 7 MANTENIMIENTO

### 7.1 MANTENIMIENTO DE LAS CUCHILLAS DEL CORTACÉSPED

Compruebe las cuchillas del cortacésped a diario. Son la clave para aumentar la eficacia y conseguir un césped bien cuidado. Manténgalas afiladas: una cuchilla desafilada desgarrará en lugar de cortar la hierba, dejando una punta desgarrada de color marrón en la hierba en unas pocas horas. Una cuchilla desafilada también necesita más potencia. Sustituya las cuchillas cuando estén dobladas, agrietadas o rotas.

#### ▲ AVISO

Nunca intente enderezar una cuchilla doblada calentándola, ni soldar una cuchilla rota o agrietada ya que esta puede romperse y provocar lesiones graves. Sustituya las cuchillas desgastadas o dañadas.

#### ▲ AVISO

Nunca trabaje con las cuchillas mientras la llave esté en el interruptor de encendido. Gire la llave a la posición de apagado, saque las baterías de la máquina. Bloquee el cortacésped cuando deba trabajar debajo de este. Lleve guantes al manipular las cuchillas. ¡Compruebe siempre que la cuchilla no esté dañada si el cortacésped golpea una piedra, una rama u otros objetos extraños!

#### ▲ PELIGRO

Puede retocar el afilado con una lima. Tras el afilado, compruebe el equilibrado de las cuchillas. En la mayor parte de las ferreterías es posible encontrar una herramienta de equilibrado comercial, asimismo, el equilibrado puede realizarse colocando la cuchilla sobre un punzón lineal invertido o un perno de 12,7 mm (1/2"). La cuchilla no debe apoyarse ni inclinarse. Mientras gira la cuchilla lentamente, esta no debe tambalearse. Si la cuchilla está desequilibrada, corrija esto antes de volver a instalar. Coloque la cuchilla sobre una superficie plana y compruebe la deformación. Sustituya las cuchillas deformadas.



## ▲ AVISO

- El filo de la cuchilla (parte curva) debe apuntar hacia arriba al interior de la plataforma para garantizar un corte adecuado.
- Al montar las cuchillas, gírelas tras la instalación para asegurarse de que las puntas de las cuchillas no se toquen entre sí o los laterales del cortacésped.
- Si no se aprieta correctamente el perno, puede perderse una cuchilla, lo que puede provocar lesiones personales graves.
- Las cuchillas del cortacésped están afiladas y pueden cortar. Lleve guantes y tenga sumo cuidado al realizar tareas de servicio en ellas.

### 7.1.1 SUSTITUCIÓN DE LA CUCHILLA

Véase la figura 17

1. Detenga el motor, retire la llave de arranque y aplique el freno de estacionamiento.
2. Eleve la altura de la plataforma de corte a su posición más alta para permitir el acceso a las cuchillas.

## i NOTA

Si es necesario, eleve el cortacésped sobre un elevador o utilizando un gato y soportes, o retire la plataforma de corte como se describe en la sección anterior para acceder a las cuchillas.

## ▲ AVISO

Si levanta el cortacésped para acceder a las cuchillas, asegúrese de que esté bien sujeto y que el freno de estacionamiento se haya aplicado antes de proceder. Si no se sujeta correctamente el cortacésped, este podría caerse y provocar lesiones personales graves o incluso la muerte.

3. Coloque un bloque de madera entre la cuchilla y la plataforma del cortacésped para evitar que la cuchilla gire.
4. Afloje la tuerca de la cuchilla girándola en sentido antihorario (visto desde la parte inferior del cortacésped) con una llave de 16 mm o una llave de tubo (no suministrada).
5. Retire la tuerca de la cuchilla, el espaciador, el aislante de cuchilla y la cuchilla.
6. Enrosque la tuerca de la cuchilla en el eje y apriete con los dedos.
7. Apriete la tuerca de la cuchilla hacia abajo en sentido horario con una llave dinamométrica (no incluida) para asegurarse de que el perno esté correctamente apretado. El par recomendado para la tuerca de la cuchilla es de 90 N.m~100N.m (66~74 ft.lbs).

## ▲ AVISO

Asegúrese de que la cuchilla esté asentada correctamente y que la tuerca de la cuchilla esté apretada a las especificaciones de par anteriores. Si no coloca correctamente la cuchilla, esta podría aflojarse y provocar lesiones personales graves.

8. Repita con la segunda cuchilla, en caso necesario.

## i NOTA

Asegúrese de que todas las piezas se vuelvan a colocar en el orden exacto en el que se retiraron.

### 7.2 SUSTITUCIÓN DE LA LUZ DELANTERA

Véase la figura 18

Llame al servicio de atención al cliente o visite nuestra página web para pedir una nueva luz delantera.

1. Estacione el cortacésped sobre una superficie nivelada y aplique el freno de estacionamiento.
2. Detenga el motor y retire la llave de arranque.
3. Retire y reserve el tornillo de cabeza hexagonal y la arandela plana que sujetan en su posición el panel del suelo del cortacésped.
4. Levante ligeramente el panel del suelo para acceder a los dos tornillos de cabeza hexagonal y las arandelas planas que sujetan la luz delantera en su posición. Retire los tornillos y las arandelas y resérvelos.
5. Desenchufe la luz delantera antigua y deseche.

6. Enchufe la nueva luz delantera y vuelva a instalar las arandelas y los tornillos. Apriete firmemente.
7. Baje el panel del suelo y vuelva a instalar la arandela y el tornillo para fijar.

## 7.3 NEUMÁTICOS

Es importante para cortar a nivel que todos los neumáticos tengan la cantidad correcta de presión de aire. Las presiones recomendadas son:

### i NOTA

La presión de los neumáticos solo debe medirse o ajustarse cuando los neumáticos están fríos.

Ruedas de tracción	8 psi
Ruedas de guía delanteras	24 psi

### i NOTA

Inspeccione los neumáticos a diario. Sustituya inmediatamente si hay daños.

### ▲ AVISO

Compruebe la presión de los neumáticos con cuidado durante el inflado. Un exceso de aire en el neumático podría provocar un reventón, con el consiguiente riesgo de lesiones personales graves.

## 7.4 LUBRICACIÓN

Véase la figura 19

Añada aceite antes del funcionamiento.

Tipo de aceite	SAE85W-140
Capacidad de aceite	180 ml

Contacte con su distribuidor de Cramer para cambiar la lubricación.

### i NOTA

Cambie el aceite de la caja de engranajes después de manejar la máquina durante 50 horas por primera vez; posteriormente, cambie el aceite cada 200 horas.

## 7.5 VALORES DE PAR

### ▲ AVISO

Debe prestarse especial atención al apriete de las tuercas con lengüeta de la rueda de tracción y de los pernos del eje de la cuchilla. Si no se aprietan correctamente estos elementos, puede perderse una rueda o una cuchilla, lo que puede provocar daños o lesiones personales graves.

A continuación, se indican los valores de par:

Pieza	Ft-lbs.	Nm
Tuercas de las ruedas (con lengüeta)	89	120
Perno del eje de la cuchilla	66	90

**Tuercas con lengüeta únicamente** -Se recomienda comprobarlas tras las primeras 2 horas de funcionamiento, inicialmente, cada 100 horas y después de retirarlas para su reparación o sustitución.

## 7.6 MANTENIMIENTO DE LA BATERÍA

Su cortacésped de Cramer recibe alimentación de una batería que, cuando se mantiene correctamente, proporcionará años de vida útil. Para un cuidado adecuado, respete las siguientes instrucciones:

- Cargue siempre las baterías tras cada uso.
- Siempre que una batería se descargue por completo y se apague, es conveniente recargar la batería lo antes posible. La sobredescarga de la batería significa que la vida útil de la batería se acortará y la batería puede sufrir daños permanentes. No es necesario cargarla por completo; es suficiente con cargar la batería durante 5-10 minutos. Es mejor volver a cargar antes de que transcurran 24 horas.
- Evite que la hierba, la suciedad y los residuos se acumulen cerca de los terminales de la batería y en la zona de la batería.
- Cargue las baterías en interior en un lugar bien ventilado y seco, lejos de chispas o llamas. Nunca exponga el cargador a la lluvia, al vapor o a líquidos.
- Cargue únicamente las baterías de litio suministradas por Cramer.
- No toque la parte no aislada del cargador (patillas del terminal) o del conector de salida.
- No utilice con cables defectuosos. Sustituya los cables defectuosos inmediatamente.
- Para un almacenamiento a largo plazo, asegúrese de que la temperatura de almacenamiento sea de -20 °C - 45 °C en un mes, y de 0 °C - 35 °C entre dos y doce meses.
- El entorno de trabajo de la batería es de -20 °C -55 °C para la descarga, y 0 °C-55°C para la carga.

## 7.7 MANTENIMIENTO DEL FILTRO DEL COMPARTIMENTO DE LA BATERÍA

Sustituya el filtro del compartimento de la batería cada 200 horas.

## 7.8 SERVICIO

### **i** IMPORTANTE

Espera a que se detenga cualquier movimiento antes de ajustar, limpiar o reparar. Los trabajos de reparación o mantenimiento que necesiten alimentación deben ser realizados únicamente por personal de mantenimiento con la debida formación. Lea y respete las advertencias de seguridad de la parte delantera del manual.

### **i** IMPORTANTE

Los trabajos de reparación o mantenimiento que necesiten alimentación deben ser realizados únicamente por personal de mantenimiento con la debida formación.

- Estacione el cortacésped en un terreno a nivel. Asegúrese de que las palancas de control de dirección estén en la posición de punto muerto y que el interruptor PTO esté en la posición de apagado. Levante la plataforma, gire la llave a la posición de apagado, retire la llave del interruptor y saque las baterías del compartimento de las baterías situado debajo del asiento.
- Cualquier operación de mantenimiento que exija la retirada de las cubiertas de seguridad debe ser realizada por un técnico de servicio con la debida formación.
- Utilice un palo o un instrumento similar para limpiar debajo del cortacésped, asegurándose de que ninguna parte de su cuerpo, especialmente los brazos y las manos, esté debajo del cortacésped.
- Mantenga su máquina limpia y elimine cualquier depósito de basura y recortes.
- Mantenga el compartimento de la batería, la plataforma y la estación del operario limpios de basura acumulada, recortes de hierba y otros residuos.
- Limpie el compartimento de la batería, el compartimento del motor de propulsión, la plataforma del cortacésped, el asiento, etc., de toda la tierra y los residuos. Para limpiar, utilice únicamente aire comprimido. NO utilice agua, disolventes, limpiadores agresivos o abrasivos.
- Lleve siempre una protección ocular adecuada cuando realice el mantenimiento de las baterías o cuando afile las cuchillas del cortacésped y elimine los residuos acumulados. Nunca intente realizar ajustes o reparaciones en el sistema de la transmisión del cortacésped, la plataforma del cortacésped o cualquier otro accesorio mientras el sistema de transmisión de tracción esté funcionando. Los trabajos de reparación o mantenimiento que necesiten alimentación deben ser realizados únicamente por personal de mantenimiento con la debida formación.

- Nunca trabaje debajo de la máquina ni del accesorio a menos que esté apoyado de forma segura mediante gatos. Asegúrese de que sea seguro trabajar debajo de la máquina cuando esté elevada y apoyada sobre los gatos.
- Los gatos no deben permitir que la máquina se mueva cuando el sistema de transmisión de tracción esté funcionando y las ruedas de tracción estén girando. Utilice únicamente gatos certificados. Utilice únicamente gatos adecuados, con un peso mínimo de 2000 libras (907,2 kg) para bloquear la unidad. Utilice únicamente en pares. Siga las instrucciones que se facilitan con los gatos del vehículo.
- No toque las piezas calientes de la máquina.
- Mantenga apretados las tuercas y los pernos, especialmente los pernos de fijación de la cuchilla. Mantenga el equipo en buen estado de funcionamiento.
- Nunca manipule los dispositivos de seguridad. Compruebe su correcto funcionamiento periódicamente.
- Sitúe la llave en la posición de apagado antes de desatascar el conducto de descarga.
- Nunca desatascue el conducto de descarga con la máquina en funcionamiento. Sitúe la llave en la posición de apagado y asegúrese de que las cuchillas se hayan detenido antes de la limpieza. Utilice un palo para desatascar la zona de descarga atascada. ¡Nunca utilice la mano!
- Detenga la unidad y permita que las cuchillas se detengan antes de destacar el conducto. Los componentes del sistema de recogida de hierba están sujetos a desgaste, daño y deterioro, lo que podría dejar al descubierto las piezas móviles o permitir que salgan despedidos objetos. Compruebe con frecuencia los componentes y sustitúyalos por las piezas recomendadas por el fabricante, cuando sea necesario.
- Tenga cuidado al trabajar debajo de la plataforma, ya que las cuchillas del cortacésped están extremadamente afiladas. Lleve guantes y tenga sumo cuidado al realizar tareas de servicio en ellas.
- Utilice únicamente piezas originales del cortacésped de Cramer para garantizar el mantenimiento de los criterios originales.
- Retire siempre las baterías al transportar la unidad. Mantenga la unidad limpia de recortes de hierba, hojas y otros residuos.
- Compruebe el funcionamiento del freno con frecuencia. Ajuste y repare según sea necesario.
- Mantenga o sustituya las etiquetas de seguridad y de instrucciones, según sea necesario.
- Solicite a un técnico de reparación cualificado que realice las tareas de servicio de su cortacésped con conductor sentado utilizando únicamente piezas de repuesto idénticas. Esto garantizará el mantenimiento de la seguridad del cortacésped con conductor sentado.
- Recargue solo con el cargador especificado por el fabricante. Un cargador adecuado para un tipo de batería crear a un riesgo de incendio cuando se utiliza con otro tipo de batería.

## 8 TRANSPORTE Y ALMACENAMIENTO

### 8.1 TRANSPORTE

#### ▲ AVISO

Tenga mucho cuidado al cargar o descargar la máquina en un remolque. Pulse el botón de conducción a baja velocidad y mueva con cuidado las palancas de la transmisión según sea necesario para controlar la velocidad. Siempre dé marcha atrás hacia el remolque cuando cargue. Cuando cargue o descargue el cortacésped, no supere el ángulo de funcionamiento máximo recomendado de 15°. Si no se siguen estas instrucciones, puede perderse el control y pueden producirse daños materiales, lesiones personales graves o incluso la muerte.

#### ▲ AVISO

Tenga cuidado al cargar o descargar el cortacésped de un remolque. Asegúrese de que la plataforma de corte esté elevada a la posición más alta para que no quede atrapada en la rampa. Las ruedas del cortacésped pueden salirse de la rampa o del remolque, haciendo que el cortacésped se gire o vuelque, y generando un peligro de aplastamiento que puede provocar lesiones personales graves o incluso la muerte.

1. Estacione el cortacésped en una superficie a nivel.
2. Levante la plataforma de corte a su posición más alta.
3. Coloque y fije la rampa en el remolque según las instrucciones del fabricante.

## i NOTA

Recomendamos la utilización de una rampa de carga de ancho completo que sea al menos 30 cm (1 pie) más ancha que el cortacésped para minimizar el riesgo de que las ruedas del cortacésped se salgan por un lateral de la rampa.

4. Vaya marcha atrás lentamente con el cortacésped sobre la rampa y en el interior del remolque.
5. Baje por completo la plataforma del cortacésped.
6. Aplique el freno de estacionamiento.
7. Apague el cortacésped y retire la llave.
8. Fije el cortacésped según sea necesario con correas o cables para evitar que se mueva durante el transporte.

## ▲ AVISO

Para evitar el arranque o el movimiento accidental, que podría provocar lesiones personales graves, retire siempre la llave de arranque y aplique el freno de estacionamiento cuando transporte el cortacésped.

## 8.2 LIMPIEZA Y ALMACENAMIENTO

### 8.2.1 LIMPIEZA DE LA MÁQUINA

- Elimine cualquier acumulación de hierba y hojas en la cubierta del motor o alrededor de esta (No utilice agua de una pistola de alta presión para lavar el motor).
- Limpie ocasionalmente el cortacésped con un paño seco.
- Si se acumulan residuos en los bajos del cortacésped durante el uso, detenga el motor, apague la máquina y limpie raspando con una herramienta adecuada.

### 8.2.2 LIMPIEZA DE LA PLATAFORMA DEL CORTACÉSPED

Véase la figura 20

- Sitúe el freno de estacionamiento en las ranuras de estacionamiento.
- Ajuste la altura de la plataforma del cortacésped a la más baja.
- Conecte el acoplamiento rápido del puerto de lavado suministrado a la manguera de jardín.
- Conecte la manguera de jardín con el acoplamiento rápido al puerto de lavado de la plataforma del cortacésped. El puerto de lavado está en el lado izquierdo de la plataforma del cortacésped.
- Encienda el agua.
- Tire del interruptor PTO para poner en marcha las cuchillas de corte del cortacésped y ajuste la velocidad de las cuchillas al máximo.
- Lave con agua debajo de la plataforma durante aproximadamente un minuto.
- Desacople las cuchillas del cortacésped empujando el interruptor PTO hacia abajo.
- Cierre el agua y retire la manguera de jardín y el acoplamiento rápido del puerto de lavado.
- Retire el acoplamiento rápido de la manguera de jardín y guárdelo para su uso futuro.
- Apague por completo el cortacésped.

### 8.2.3 ALMACENAMIENTO DE LA MÁQUINA

Para preparar la máquina para el almacenamiento, deben seguirse estos pasos.

- Limpie la máquina como se describe en la sección anterior.
- Inspeccione la cuchilla y sustitúyala o afílela, si es necesario (consulte la sección Mantenimiento).
- No almacene la máquina cerca de materiales corrosivos, como fertilizantes o sal gema.
- Mantenga la máquina fuera del alcance de los niños.
- No cubra la máquina con una lona de plástico dura. Las coberturas de plástico atrapan la humedad alrededor de la máquina, lo que genera óxido y corrosión.
- Compruebe exhaustivamente si hay piezas gastadas o dañadas que deban ser sustituidas y pídalas a su distribuidor.
- Contacte con un centro de servicio para una lubricación exhaustiva de la máquina.
- Cargue por completo y realice tareas de servicio en las baterías.
- No desinflen los neumáticos.

- La máquina debe guardarse en un lugar bien ventilado, limpio y seco, ya que el cargador de la batería no puede utilizarse en un entorno húmedo.
  - Mantenga siempre las baterías totalmente cargadas. Es especialmente importante evitar que la batería sufra daños cuando la temperatura sea inferior a 32°F (0°C).
  - Coloque el adaptador del cargador en el puerto de carga y las baterías según el apartado Adaptador de carga de la sección Sistema eléctrico.
  - Enchufe el cargador en una toma eléctrica adecuada. Consulte los apartados Cargador de la batería, Carga de la batería y Recomendaciones de carga de la sección Sistema eléctrico para obtener información adicional sobre la utilización del cargador y la carga de las baterías.
  - Para optimizar la vida útil de las baterías, es mejor cargarlas por completo poco después de cada uso.

## 8.2.4 PREPARACIÓN PARA EL USO TRAS EL ALMACENAMIENTO

Antes de utilizar el cortacésped después de su almacenamiento, deben seguirse los siguientes pasos:

- Cargue totalmente las baterías.
- Compruebe la presión de los neumáticos e infle según sea necesario.
- Conduzca brevemente el cortacésped y compruebe que todos los sistemas y componentes funcionen correctamente.

## 9 SOLUCIÓN DE PROBLEMAS

PROBLEMA	POSIBLE CAUSA	SOLUCIÓN
El vehículo no se mueve.	El compartimento de la batería no se ha insertado en la batería o batería no designada por Cramer.	Para garantizar el funcionamiento normal del vehículo, debe colocarse al menos 1 unidad de los productos de batería designados por Cramer en el compartimento de la batería.
	La batería no está cargada.	Compruebe la energía de la batería.
	No hay nadie en el asiento o el interruptor de presencia del operario no está cerrado.	Asegúrese de que el conductor esté sentado en el asiento.
	El freno de estacionamiento está aplicado.	Asegúrese de desacoplar completamente el freno de estacionamiento para que las ruedas puedan girar libremente.
	El compartimento de la batería está en estado de reposo.	Gire el interruptor de llave a la marcha de apagado y espere más de 5 segundos antes de volver a poner en marcha la máquina.
Avería súbita durante la conducción	La batería no está cargada.	Para garantizar el funcionamiento normal de todo el vehículo, es necesario colocar al menos 1 unidad de los productos de batería designados por Cramer en el compartimento de la batería y asegurarse de que la batería tenga energía.
	Caminos difíciles y llenos de baches, lo que provoca la desconexión del interruptor de presencia del operario.	Aplique el freno de estacionamiento, vuelva a poner en marcha la máquina y empuje la palanca de mando.
	Fallo del pedal del acelerador.	Contacte con el personal del servicio posventa de Cramer.
	Fallo del controlador de transmisión.	Contacte con el personal del servicio posventa de Cramer.
La cuchilla no funciona tras tirar del interruptor PTO.	El compartimento de la batería no está insertado en la batería especificada por Cramer.	Para garantizar el funcionamiento normal de todo el vehículo, es necesario colocar al menos 1 unidad de los productos de batería designados por Cramer en el compartimento de la batería y asegurarse de que la batería tenga energía.
	La energía de la batería es inferior al 5%.	Compruebe la energía de la batería, si es baja, cargue la batería.
	El interruptor de presencia del operario no está cerrado.	Asegúrese de que el conductor esté sentado en el asiento.
	El interruptor (PTO) de las cuchillas no está en la posición inicial antes del encendido.	Presione el PTO y vuelva a tirar de él.
	El motor de la cuchilla está bloqueado y otra protección funcional.	Compruebe que no haya maleza ni otros objetos extraños en la conexión entre la cuchilla y el motor para garantizar que la cuchilla gire suavemente. Se recomienda subir la plataforma y arrancar la cuchilla antes de ajustar la plataforma a la marcha necesaria.
	Fallo del controlador de marcha.	Asegúrese de que no aparezca otro error en la pantalla.
La cuchilla se para al cortar la hierba.	Fallo del controlador de la cuchilla.	Compruebe el código de error que aparece en la pantalla.

PROBLEMA	POSIBLE CAUSA	SOLUCIÓN
	Sobrecarga del motor de la cuchilla.	Limpie el interior de la plataforma, asegúrese de que no haya una rotación anormal de la cuchilla, pulse el interruptor PTO, vuelva a poner en marcha la máquina y reduzca la carga de la cuchilla, ya sea elevando la altura de la plataforma de corte o reduciendo la velocidad de conducción.
	Temperatura de batería demasiado alta.	No la utilice inmediatamente después de finalizar la carga, de lo contrario puede activar el error de protección de temperatura de la batería.
	La energía de la batería es inferior al 5%.	La energía de la batería es baja, cargue la batería.
	La cuchilla ha sido golpeada por un objeto extraño, por lo que se ha detenido repentinamente.	Gire la llave a la posición de apagado y espere más de 5 segundos antes de volver a poner en marcha la máquina.
	Fallo del controlador de transmisión.	Compruebe el código de error que aparece en la pantalla.
El cortacésped corta la hierba de forma irregular y la diferencia de altura es muy grande.	La cuchilla está desafilada.	Afile la cuchilla de acuerdo con el manual.
	La cuchilla está doblada.	Sustituya la cuchilla doblada; sustituya la cuchilla de acuerdo con las instrucciones y utilice equipos de protección.
	La plataforma no está plana.	Aplane la plataforma de acuerdo con las instrucciones para garantizar que las alturas izquierda y derecha sean iguales.
La altura de corte real no coincide con la altura de corte marcada que se ha seleccionado.	Pernos de fijación de la plataforma flojos.	Ajuste los pernos de fijación de la plataforma para garantizar que esté firmemente instalada. Nota: es necesario volver a nivelar la plataforma tras ajustar los pernos de fijación.
	La plataforma está gravemente desgastada o dañada.	Sustituya por una plataforma nueva.
Marcas anormales del paso del vehículo	El césped está demasiado mojado.	Antes de cortar, compruebe el estado del césped. Si la hierba está demasiado mojada, espere a que el viento o el sol la seque. Espere a que se disipe el rocío del césped antes de cortar.
	El cortacésped se ha ajustado para cortar demasiada hierba de una vez.	Si la hierba es demasiado densa y alta, eleve la plataforma y evite cortar hierba densa en la medida de lo posible.
Vibración excesiva de la máquina	Las cuchillas están flojas.	Pula la cuchilla de acuerdo con el método del manual.
	Las cuchillas están dobladas.	Sustituya la cuchilla doblada, preste atención a la correcta sustitución de la cuchilla de acuerdo con las instrucciones y lleve guantes de protección.
	Plataforma irregular.	Aplane la plataforma de acuerdo con las instrucciones para garantizar que las alturas izquierda y derecha sean iguales.
	Plataforma floja.	Bloquee los pernos de fijación de la plataforma.
	El cortacésped se ha ajustado para cortar demasiada hierba de una vez.	Si la hierba es demasiado densa o alta, eleve la plataforma de corte e intente evitar el corte de hierba densa.
Queda hierba o residuos en el	El cortacésped se ha ajustado para cortar demasiada hierba de una vez.	Si la hierba es demasiado densa y alta, eleve la plataforma. Si la hierba es más alta de 15 cm, haga dos ciclos



PROBLEMA	POSIBLE CAUSA	SOLUCIÓN
suelo después de segar.		de corte para lograr el efecto de corte e intente evitar el corte de hierba densa.
	La hierba está demasiado mojada.	Compruebe el estado de la hierba antes de segar. Si la hierba está demasiado mojada, espere a que el viento o el sol la seque. Espere a que se disipe el rocío del césped antes de segar.
	La velocidad de conducción es demasiado rápida.	Reduzca la velocidad de conducción.
	La velocidad de corte de las cuchillas es demasiado baja.	Aumente el nivel de velocidad de la cuchilla.
Duración corta de segado	El corte de hierba densa puede dar lugar a una duración corta del segado.	La elevación de la plataforma o la disminución de la velocidad de la cuchilla puede aumentar el tiempo de uso del cortacésped con una carga.
Cortacésped difícil de controlar	Presiones distintas de los neumáticos	Compruebe periódicamente la presión de los neumáticos del cortacésped según el manual.
El vehículo no arranca tras el lavado.	Limpieza inadecuada; ha penetrado agua en la pantalla LED, el compartimento de la batería y otras partes de los componentes electrónicos.	<ol style="list-style-type: none"> <li>1. Siga las instrucciones para limpiar la máquina.</li> <li>2. Si el vehículo se moja accidentalmente, déjelo en un lugar seco durante 12 horas o séquelo antes de usarlo.</li> <li>3. Contacte con el personal del servicio posventa de Cramer.</li> </ol>
El cortacésped está bloqueado.	Maleza y basura amontonada en la plataforma.	Siga las instrucciones para limpiar la máquina cada vez que la utilice.
Durante el estacionamiento, la máquina se desliza rápidamente en pendientes y patina.	Desgaste grave de los neumáticos.	Contacte con el personal del servicio posventa para sustituir los neumáticos.
	El freno electromagnético está dañado o seriamente desgastado.	Contacte con el personal del servicio posventa para sustituir el freno electromagnético.
	El freno electromagnético se suelta manualmente.	Compruebe el freno electromagnético y restablézcalo a la posición inicial.

## 10 DATOS TÉCNICOS

Nº de modelo	82LT107
Tensión	82 V
Peso bruto del vehículo	106±3 kg
Longitud	170 cm
Altura	117 cm
Anchura (con descarga)	135 cm
Anchura (sin descarga)	107 cm
Anchura de plataforma	107 cm
Velocidad marcha hacia delante	0-8 mph
Velocidad marcha atrás	0-3 mph
Intervalo de altura de corte	3.81-11.4 cm
Nivel de ajuste de altura de corte	7 uds.
Velocidad sin carga	2400/3000/3200 RPM
Tiempo de carga	4 h (con cargador de 8 A)
Potencia del motor	1.2 kW (motor de cuchilla) 1.2 (motor de propulsión)
Manejo MÁX. en pendientes	15°
Número de cuchillas (descarga/mulching)	2 uds.
Nivel de presión acústica medida	$L_{pA} = 84.77$ dB(A), $K_{pA} = 3$ dB(A)
Nivel de potencia acústica medida	$L_{wA} = 98.24$ dB(A)
Nivel de potencia acústica garantizada	$L_{wA,d} = 100$ dB(A)
Vibración	Brazos: $\leq 2.5$ m/s <sup>2</sup> , $K = 1.5$ m/s <sup>2</sup> Cuerpo: $\leq 2.5$ m/s <sup>2</sup> , $K = 1.5$ m/s <sup>2</sup>

## 11 GARANTÍA LIMITADA

### 11.1 COBERTURA DE LA PRESENTE GARANTÍA

Cramer ofrece la siguiente garantía solo al comprador original ("Propietario"); la garantía no es transferible:

**A. Uso residencial:** Los productos de Cramer empleados con fines residenciales normales\* están garantizados durante un periodo de cinco (5) años o 1500 horas de uso total (lo que se dé primero) a partir de la fecha de compra contra cualquier defecto de materiales y mano de obra del chasis, la plataforma y las baterías. Los consumibles como los neumáticos y las cuchillas están garantizados durante treinta (30) días a partir de la fecha de compra. Si el propietario descubre dentro de este periodo de garantía un defecto en los materiales o la mano de obra:

- El propietario debe notificar inmediatamente el defecto a Cramer o a un distribuidor autorizado por escrito o mediante un correo electrónico, una llamada telefónica, la aplicación o en persona. En ningún caso Cramer o un distribuidor autorizado recibirán dicha notificación más tarde de cinco (5) años a partir de la fecha de compra.
- En un plazo razonable tras dicha notificación y la verificación del defecto cubierto por la garantía, Cramer corregirá cualquier defecto de material o de mano de obra en el producto de Cramer mediante, a su criterio, la reparación o la sustitución de las piezas por piezas de repuesto nuevas o usadas.
- Dicha reparación, incluidas las piezas y la mano de obra, correrá a cargo de Cramer únicamente para el propietario original.

**B. Uso comercial:** Los productos de Cramer empleados con fines comerciales e institucionales están garantizados durante un periodo de cinco (5) años o 1500 horas de uso total (lo que se dé primero) a partir de la fecha de compra contra cualquier defecto de materiales y mano de obra del chasis, la plataforma y las baterías. Los consumibles (incluidos, sin limitación, los neumáticos y las cuchillas) están garantizados durante treinta (30) días a partir de la fecha de compra. Si el propietario descubre dentro de este periodo de garantía un defecto en los materiales o la mano de obra:

- El propietario debe notificar inmediatamente el defecto a Cramer o a un distribuidor autorizado por escrito, mediante un correo electrónico, una llamada telefónica, la aplicación o en persona. En ningún caso Cramer o un distribuidor autorizado recibirán dicha notificación más tarde de cinco (5) años a partir de la fecha de compra.
- En un plazo razonable tras dicha notificación y la verificación del defecto cubierto por la garantía, Cramer corregirá cualquier defecto de material o de mano de obra en el producto de Cramer mediante, a su criterio, la reparación o la sustitución de las piezas por piezas de repuesto nuevas o usadas.
- Dicha reparación, incluidas las piezas y la mano de obra, correrá a cargo de Cramer únicamente para el propietario (comercial) original.

## i NOTA

En caso de no realizarse un mantenimiento adecuado de las baterías y de no mantenerlas totalmente cargadas, se reducirá la vida útil de las mismas y su garantía quedará anulada. Las disposiciones de esta garantía limitada no se aplicarán a los fallos debidos a:

- Abuso o negligencia como daños debidos al agua, cableado flojo, o elementos de fijación oxidados o corroídos.
- Falta de mantenimiento adecuado; daños debidos a una instalación incorrecta de la batería; negligencia, rotura, exposición a condiciones de temperatura extrema incluyendo, sin limitación, temperaturas de congelación, temperaturas elevadas, proximidad a fuentes de calor como calentadores o fuego, exposición a agua o a otras sustancias, destrozos, funcionamiento de la batería con sobrecarga o en un estado sin carga.
- Una batería cargada por sistemas distintos al cargador de batería del tipo del equipo original.

**Nota al pie:** *\*\* Fines residenciales normales*", según se utiliza en el presente documento, hace referencia al uso del producto en la misma parcela en la que se encuentra su vivienda. El uso en más de un lugar se considera uso comercial, tras lo cual se aplicaría la garantía para uso comercial.

## 11.2 QUIÉN DEBE LLEVAR A CABO EL SERVICIO BAJO GARANTÍA

Todo servicio bajo garantía será llevado a cabo por un distribuidor autorizado de Cramer por un técnico de servicio autorizado de Cramer. Las llamadas de servicio o los gastos de transporte del producto para su envío al distribuidor autorizado y su posterior devolución al propietario, para trabajos bajo garantía, serán pagados por el propietario del producto. Para recibir servicio bajo garantía, contacte con un distribuidor autorizado.

## 11.3 LO QUE NO CUBRE LA PRESENTE GARANTÍA

Cramer no garantiza:

- Las reparaciones realizadas por personas no autorizadas.
- Los daños derivados de la utilización del producto de Cramer con fines distintos a aquellos para los que fue diseñado.
- Los daños debidos a desastres como incendios, inundaciones, viento y relámpagos.
- Los daños debidos a negligencia, abuso, uso anormal, uso inadecuado o irrazonable, accidente, negligencia o uso indebido, como daños debidos al agua.
- Las reparaciones o sustituciones que se deban a la utilización de piezas o accesorios no autorizados.
- Las reparaciones o sustituciones que se deban a cualquier alteración o modificación, a criterio de Cramer, que influya adversamente en el funcionamiento, el rendimiento o la durabilidad del equipo.
- Los productos, componentes o piezas no fabricados por Cramer.
- Los productos cuya identificación haya sido alterada, incluyendo, sin limitación, los números de serie borrados o que sean ilegibles.
- La depreciación o los daños debidos al desgaste normal, la falta de un mantenimiento razonable y adecuado, el incumplimiento de las instrucciones de funcionamiento, mantenimiento y ajuste del manual del propietario del producto o de otras instrucciones de funcionamiento facilitadas por Cramer.
- El servicio y las piezas empleadas para el mantenimiento normal entre los que se incluyen, sin limitación, lubricantes, piezas de puesta a punto, cuchillas, afilado de cuchillas, rodamientos, ajustes de freno o de dirección.

- Los productos con programación no aprobada para ese producto, incluidas las alteraciones de los parámetros, programación o ajustes posventa, o cualquier modificación no aprobada de los componentes, la electrónica o el software.

## 11.4 DESCARGO DE GARANTÍA

Las garantías anteriores sustituyen a cualquier otra garantía, expresa o implícita, entre las que se incluyen, sin limitación, las garantías implícitas de comerciabilidad e idoneidad para un fin determinado. No obstante, si el producto de Cramer se compra como un producto de consumo, cualquier garantía implícita de comerciabilidad o idoneidad para un fin determinado se limita a la duración de la presente garantía limitada. Algunos estados no permiten limitaciones a la duración de una garantía implícita, por lo que es posible que la limitación anterior no sea aplicable en su caso. Esta garantía le otorga derechos legales específicos; también puede poseer otros derechos que varían de un estado a otro.

## 11.5 LIMITACIÓN DE REPARACIONES

En ningún caso Cramer será responsable por los daños especiales, fortuitos o indirectos derivados de un incumplimiento de la garantía, un incumplimiento de contrato, negligencia, responsabilidad estricta extracontractual o cualquier otra teoría legal. Tales daños incluyen, sin limitación:

- Pérdida de beneficios
- Pérdida de ahorros o ingresos
- Pérdida de uso del producto de Cramer o cualquier equipo asociado
- Coste de capital
- El coste de cualquier equipo, instalaciones o servicios de sustitución o el tiempo de inactividad
- Las reclamaciones de terceros, incluidos los clientes, y los daños a la propiedad

## 11.6 LÍMITE DE TIEMPO

A menos que la legislación estatal determine lo contrario:

Cualquier acción por incumplimiento de la garantía debe iniciarse antes de que transcurran cinco (5) años o sesenta (60) meses a partir de la fecha de compra en una aplicación residencial o comercial.

En el caso de que la fecha de fabricación supere un plazo razonable anterior a la primera compra del cliente, la garantía de Cramer puede estar sujeta a limitaciones adicionales.

## 11.7 AUSENCIA DE OTRAS GARANTÍAS

Este acuerdo se entiende como el acuerdo completo y exclusivo entre las partes y reemplaza todos los acuerdos anteriores, ya sean verbales o escritos, y todas las demás comunicaciones entre las partes relacionadas con el objeto del presente acuerdo.

## 11.8 RESPONSABILIDAD DEL PROPIETARIO

Debe mantener su producto de Cramer según los procedimientos de mantenimiento descritos en el manual del propietario. Dicha rutina de mantenimiento, ya sea realizada por un distribuidor o por usted mismo, corre a su cuenta.

Esta máquina, como cualquier otro equipo a motor, es potencialmente peligrosa a menos que se maneje correctamente. Todos los operarios deben actuar con precaución y tener siempre en mente la seguridad. Antes de la utilización del producto de Cramer, todos los operarios deben familiarizarse exhaustivamente con el manual del propietario con respecto al funcionamiento y la seguridad de la máquina, así como con todas las advertencias de seguridad que se encuentran en la propia máquina.

## 11.9 ASIGNACIÓN DE RIESGOS

Este acuerdo asigna los riesgos de fallo del producto entre Cramer y el propietario. Esta asignación es reconocida por ambas partes y se refleja en el precio de la mercancía.

## 11.10 REGISTRO DE LA GARANTÍA

A menos que la legislación estatal determine lo contrario:

1. Los propietarios deben registrar la unidad con Cramer antes de que transcurran diez (10) días desde la fecha de compra.

2. El registro puede realizarse cumplimentando el formulario de registro de la garantía, que se proporciona en el manual del operario.
3. El registro también puede realizarse mediante la utilización de los formularios en línea de [cramertools.com](https://www.cramertools.com) o mediante la utilización de la aplicación y proporcionando una prueba de compra (el ticket debe incluir la fecha de compra).

## 12 DECLARACIÓN DE CONFORMIDAD CE

**ES**

Nombre y dirección del fabricante:

Nombre: Greenworks Tools Europe GmbH  
Dirección: Brunnenweg 17, 64331 Weiterstadt, Alemania

Nombre y dirección de la persona autorizada para compilar el archivo técnico:

Nombre: Ralf Pankalla  
Dirección: Brunnenweg 17, 64331 Weiterstadt, Alemania

Por la presente declaramos que el producto

Categoría: Tractor de césped  
Modelo: 82LT107  
Número de serie: Véase la etiqueta de clasificación del producto  
Año de construcción: Véase la etiqueta de clasificación del producto

- es conforme con las disposiciones pertinentes de la Directiva relativa a las máquinas: 2006/42/CE.
- es conforme con las disposiciones de las siguientes Directivas CE:
  - 2014/30/UE
  - 2011/65/UE & 2015/863/UE

Adicionalmente, declaramos que se han utilizado las siguientes (partes/cláusulas de) las normas europeas armonizadas:

- EN 62841-1, EN ISO 5395-1, EN ISO 5395-3, EN ISO 14982, IEC 62321-3-1, IEC 62321-4, IEC 62321-5, IEC 62321-6, IEC 62321-7-1, IEC 62321-7-2, IEC 62321-8

Lugar, fecha: 11.11.2022

Firma: Ted Qu, Director de calidad

Ted Qu

<b>1</b>	<b>Descrizione.....</b>	<b>79</b>	7.5	Valori di coppia.....	91
1.1	Panoramica.....	79	7.6	Manutenzione del gruppo batteria.....	91
1.2	Pannello di controllo.....	79	7.7	Manutenzione filtro vano batteria.....	92
<b>2</b>	<b>Disimballare il prodotto.....</b>	<b>79</b>	7.8	Riparazioni.....	92
<b>3</b>	<b>Installazione.....</b>	<b>80</b>	<b>8</b>	<b>Trasporto e conservazione.....</b>	<b>93</b>
3.1	Installazione del sedile.....	80	8.1	Trasporto.....	93
3.2	Installazione del volante.....	80	8.2	Pulizia e stoccaggio.....	93
3.3	Installare il copripacciamatura.....	80	<b>9</b>	<b>Risoluzione dei problemi.....</b>	<b>95</b>
3.4	Ruote antiscampo.....	81	<b>10</b>	<b>Specifiche tecniche.....</b>	<b>98</b>
3.5	Utilizzare l'app.....	81	<b>11</b>	<b>Garanzia limitata.....</b>	<b>98</b>
<b>4</b>	<b>Istruzioni per l'uso.....</b>	<b>81</b>	11.1	Che cosa è coperto da questa garanzia...98	
4.1	Operazioni preliminari.....	81	11.2	A chi affidare gli interventi in garanzia.....99	
4.2	Azionare la macchina.....	82	11.3	Che cosa non è coperto da questa garanzia.....	99
<b>5</b>	<b>Sistema elettrico.....</b>	<b>85</b>	11.4	Esclusione di garanzia.....	100
5.1	Sicurezza elettrica.....	85	11.5	Limitazione dei rimedi.....	100
5.2	Informazioni sul sistema elettrico.....	86	11.6	Periodo di validità.....	100
5.3	Display digitale.....	86	11.7	Altre garanzie.....	100
<b>6</b>	<b>Errore.....</b>	<b>86</b>	11.8	Responsabilità del proprietario.....	100
6.1	Codice errore.....	87	11.9	Allocazione dei rischi.....	100
<b>7</b>	<b>Manutenzione.....</b>	<b>89</b>	11.10	Registrazione della garanzia.....	100
7.1	Manutenzione delle lame.....	89	<b>12</b>	<b>Dichiarazione di conformità</b>	
7.2	Sostituire il faro.....	90		<b>CE.....</b>	<b>101</b>
7.3	Pneumatici.....	90			
7.4	Lubrificazione.....	91			

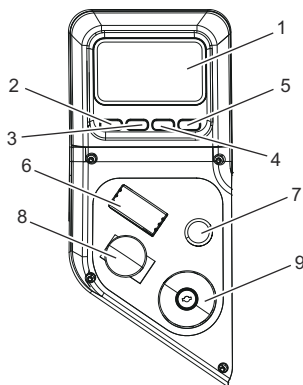
## 1 DESCRIZIONE

### 1.1 PANORAMICA

Fare riferimento al foglio separato delle illustrazioni 1-20

- |    |                                 |    |                           |
|----|---------------------------------|----|---------------------------|
| 1  | Leva di regolazione del sedile  | 17 | Volante                   |
| 2  | Scivolo di scarico laterale     | 18 | Copri piatto              |
| 3  | Pedale freno                    | 19 | Copripacciamatura         |
| 4  | Pannello di controllo           | 20 | Anello cuscinetto         |
| 5  | Leva di regolazione del piatto  | 21 | Morsetti di fissaggio     |
| 6  | Pedale acceleratore             | 22 | Numero di serie           |
| 7  | Maniglia freno di stazionamento | 23 | Codice di associazione    |
| 8  | Fari                            | 24 | Codice QR                 |
| 9  | Portabicchieri                  | 25 | Vano batteria             |
| 10 | Presa USB                       | 26 | Batteria                  |
| 11 | Ruote antiscaipo                | 27 | Fermo batteria            |
| 12 | Pannello sedile                 | 28 | Lama                      |
| 13 | Pannello presa                  | 29 | Porta di riempimento olio |
| 14 | Albero sterzo                   | 30 | Uscita scarico olio       |
| 15 | Accoppiatore                    | 31 | Tubo da giardino          |
| 16 | Piantone sterzo                 | 32 | Attacco rapido            |
|    |                                 | 33 | Attacco lavaggio          |

### 1.2 PANNELLO DI CONTROLLO



N.	Nome	Funzione
1	Display digitale	Il display visualizza informazioni importanti sul sistema elettrico. Per ulteriori informazioni, consultare la sezione sistema elettrico.
2	Controllo velocità motore lama / Ritorino	Regola la velocità della lama (ciclica) quando è sulla pagina iniziale. Premere il pulsante per tornare alla pagina precedente.
3	Navigazione nel menù / Pagina su	Ruota il display digitale sull'ultima pagina. Torna alla schermata principale.
4	Interruttore lampada / Pagina giù	Accende/spegne le luci quando è sulla pagina iniziale. Ruota il display digitale sulla prossima pagina.
5	Pulsante regolatore di velocità / Conferma	Tenere premuto per più di 0,4 secondi per attivare la funzione di controllo automatico della velocità, premere il pulsante per confermare.
6	Interruttore di controllo direzione	La direzione di movimento della falciatrice è controllata tramite l'interruttore di controllo della direzione. Le impostazioni disponibili sono Avanzamento (D), Folle (N) e Retromarcia (R).
7	Pulsante di taglio in retromarcia	Il pulsante di taglio in retromarcia deve essere attivato per procedere con questa funzione.
8	Interruttore di accensione/spengimento	L'interruttore viene utilizzato per accendere e spegnere il tosaerba. La chiave di avviamento deve essere inserita prima che l'interruttore possa essere azionato.
9	Interruttore (PTO) On/Off delle lame del piatto	Questo interruttore attiva i motori delle lame. Portare l'interruttore in posizione sollevata per avviare il motore delle lame e in posizione abbassata per arrestarlo.

### **i** IMPORTANTE

Non azionare mai i motori delle lame quando il piatto è sotto carico. I motori o il piatto potrebbero essere danneggiati.

## 2 DISIMBALLARE IL PRODOTTO.

### ▲ AVVERTIMENTO

Assicurarsi di assemblare correttamente l'apparecchio prima dell'uso.

## ▲ AVVERTIMENTO

- Se una parte della macchina è danneggiata, non usare l'apparecchio.
- In caso di componenti mancanti, non usare l'apparecchio.
- In caso di componenti danneggiati o mancanti, contattare il centro di assistenza.

1. Aprire l'imballaggio.
2. Leggere la documentazione fornita nella confezione.
3. Estrarre gli accessori dall'imballaggio.
4. Estrarre l'apparecchio dall'imballaggio.
5. Smaltire i materiali di imballaggio conformemente alle normative locali.

## ▲ AVVERTIMENTO

Per motivi di sicurezza, inserire la batteria solo dopo aver assemblato completamente l'apparecchio.

## 3 INSTALLAZIONE

### 3.1 INSTALLAZIONE DEL SEDILE

*Fare riferimento alla figura 3*

1. Posizionare il gruppo sedile sopra il pannello del sedile e allineare i fori come indicato.
2. Installare i bulloni, le rondelle e i dadi e serrarli saldamente.
3. Attaccare le maniche ai dadi.
4. Assicurarsi che il sedile sia fissato saldamente.
5. Collegare la spina del sedile alla macchina.

### 3.2 INSTALLAZIONE DEL VOLANTE

*Fare riferimento alla figura 4-5*

#### i NOTA

Assicurarsi che la fessura sia rivolta verso il sedile.

1. Installare l'albero dello sterzo nell'accoppiatore, ruotandolo secondo necessità per allineare il foro nell'albero con il foro del bullone nell'accoppiatore.
2. Installare due bulloni e serrare saldamente.

#### i NOTA

Serrare i bulloni al valore mostrato.

3. Installare il piantone dello sterzo. Notare le linguette sulla parte inferiore del piantone dello sterzo che si inseriscono nei fori nell'apertura e assicurarsi che il piantone dello sterzo sia posizionato saldamente.
4. Assicurarsi che la ruota del tosaerba sia puntata in avanti, quindi installare il volante sopra il piantone dello sterzo con forza.
5. Installare il bullone e la rondella, serrando saldamente.
6. Installare la piastra di copertura del volante.

### 3.3 INSTALLARE IL COPRIPACCIAMATURA

*Fare riferimento alla figura 6*

Al momento della spedizione, il tosaerba è configurato per lo scarico laterale. Se si desidera applicare pacciamatura:

1. Posizionare il copripacciamatura sulla linguetta sull'alloggiamento del tosaerba.
2. Allineare i fori nel copripacciamatura e i fori nell'alloggiamento del tosaerba.
3. Installare e serrare bulloni, viti, morsetti di fissaggio e anello del cuscinetto come indicato.



## 3.4 RUOTE ANTISCALPO

*Fare riferimento alla figura 2*

Le ruote antiscalpo sono un accessorio standard dei prodotti Cramer. Le ruote antiscalpo sono progettate per evitare la formazione di solchi durante il taglio di erba su terreni irregolari. Dopo aver impostato l'altezza di taglio, regolare le ruote antiscalpo in modo tale che si estendano sotto il piatto di taglio ma non siano a contatto con il terreno. Le ruote antiscalpo devono sporgere dalla parte inferiore del piatto di taglio di 0,6-1,9 cm. Con la macchina posizionata su una superficie piana e a livello, le ruote antiscalpo possono essere sollevate o abbassate da 1,9 cm a 4,4 cm dalla parte inferiore della superficie delle lame. Per sollevare o abbassare le ruote antiscalpo, usare i diversi fori di fissaggio dell'asse sulla staffa di fissaggio delle ruote (in base al modello).

## 3.5 UTILIZZARE L'APP

*Fare riferimento alla figura 7-8*

1. Visitare il sito web di Fleet Management: [fleet.cramertools.com](http://fleet.cramertools.com)
2. Creare un account quindi accedi.
3. Invitare altri utenti della propria organizzazione.
4. Scansionare il codice QR, scaricare l'app e accedere.
5. Aggiungere un dispositivo. Individuare sul presente Manuale il numero di serie, il codice di associazione e il codice QR nell'etichetta apposta sul veicolo. Scansionare o digitare manualmente il codice QR.

## 4 ISTRUZIONI PER L'USO

### 4.1 OPERAZIONI PRELIMINARI

#### 4.1.1 REGOLAZIONE DEL SEDILE

*Fare riferimento alla figura 9*

Regolare la posizione del sedile per assicurarsi di essere in grado di stabilire un contatto saldo con il pedale dell'acceleratore e del freno prima di utilizzare il tosaerba.

1. Sedersi sul sedile e sollevare la leva di regolazione dello stesso.
2. Tenendo la leva, far scorrere il sedile nella posizione desiderata.
3. Rilasciare la leva e assicurarsi che il sedile sia bloccato in posizione prima di azionare il tosaerba.

### ▲ AVVERTIMENTO

Assicurarsi che il sedile sia bloccato in posizione prima di utilizzare il tosaerba. Un sedile non sicuro può causare lo spostamento dell'operatore e la perdita di controllo del tosaerba, con possibili lesioni personali gravi o mortali.

#### 4.1.2 REGOLAZIONE DELL'ALTEZZA DEL PIATTO DI TAGLIO

*Fare riferimento alla figura 10*

Prima di usare la macchina, regolare l'altezza del piatto di taglio in base alle condizioni dell'erba.

L'altezza del piatto è regolabile da 3.81-11.4 cm. L'altezza del piatto di taglio deve essere regolata durante il lavoro onde evitare ceppi, pietre o altri ostacoli che potrebbero danneggiarlo.

### ▲ AVVERTENZA

Tenere saldamente la leva di regolazione dell'altezza del piatto durante l'impostazione dell'altezza dello stesso e rilasciarla solo quando è fissata nella fessura desiderata. Il rilascio rapido della leva potrebbe schiacciare o trascinare la mano dell'operatore.

1. Arrestare il tosaerba e disinnestare le lame.
2. Girare la chiave in posizione OFF e inserire il freno di stazionamento.
3. Per sollevare il piatto di taglio, afferrare la leva di regolazione dell'altezza del piatto, spingerla a sinistra per sganciarla dalla fessura, spostarsi verso la parte posteriore del tosaerba, quindi spingerla a destra nella fessura per fissarla.

- Per abbassare il piatto di taglio, afferrare la leva di regolazione dell'altezza del piatto, spingerla a sinistra per sganciarla dalla fessura, spostarla verso la parte anteriore del tosaerba, quindi spingerla a destra nella fessura per fissarla.

## 4.1.3 INSTALLAZIONE DEL GRUPPO BATTERIA

*Fare riferimento alla figura 11*

Per verificare che le batterie del tosaerba siano completamente cariche, controllare l'indicatore di livello della batteria. Fare riferimento al manuale della batteria per ulteriori dettagli.

- Sollevare il pannello sedile.
- Sollevare il coperchio del vano batteria.
- Installare la batteria nel vano batteria.

### ▲ AVVERTIMENTO

Allineare le scanalature della batteria con la porta della batteria. Assicurarsi che il fermo della batteria scatti correttamente nel vano batteria.

## 4.1.4 PRIMA DI UTILIZZARE LA MACCHINA

- Assicurarsi che l'area di lavoro sia libera da bambini, astanti e animali domestici.
- Liberare l'area di lavoro da oggetti che potrebbero essere scagliati dalle lame del tosaerba.
- Controllare il funzionamento del freno.
- Controllare la pressione degli pneumatici.
- Verificare che non vi siano elementi di fissaggio allentati.
- Verificare che tutte le protezioni siano al loro posto e funzionino correttamente.
- Rimuovere eventuali detriti dal tosaerba.
- Testare il sistema di interblocco di sicurezza.
- Regolare il sedile nella posizione desiderata.
- Verificare il livello di carica della batteria.

## 4.1.5 SISTEMA DI INTERBLOCCO DI SICUREZZA

*Fare riferimento alla figura 12*

Il tosaerba è dotato di un sistema di interblocco di sicurezza per proteggere l'operatore spegnendo le lame se l'operatore si alza dal sedile con le lame in funzione. Testare il sistema prima di ogni utilizzo per assicurarsi che funzioni correttamente.

- Accertarsi che l'interruttore di controllo della direzione sia in posizione neutra (N) e che l'interruttore della presa di forza sia abbassato.
- Inserire la chiave di avviamento e girarla in posizione ON.
- Rilasciare il freno di stazionamento.
- Sollevare l'interruttore della presa di forza per attivare le lame.
- Sollevare brevemente il sedile, ma non scendere dal tosaerba.

Le lame dovrebbero disattivarsi entro 5 secondi. In caso contrario, contattare il servizio clienti. Non azionare il tosaerba finché il sistema di blocco di sicurezza non è stato riparato.

## 4.2 AZIONARE LA MACCHINA

### 4.2.1 ACCENSIONE DELL'APPARECCHIO

#### i NOTA

Liberare l'area da eventuali astanti prima di utilizzare il tosaerba. Se qualcuno entra nell'area di falciatura, fermarsi immediatamente; il lavoro non deve riprendere fino a quando gli astanti non avranno lasciato l'area.

- Sollevare il piatto di taglio nella posizione più alta.
- Inserire la chiave di avviamento e girarla in posizione ON.

3. Portare l'interruttore di controllo direzione in folle (N).
4. Rilasciare il freno di stazionamento.
5. Tirare verso l'alto l'interruttore PTO sul piatto per avviare le lame di taglio per la falciatura.
6. Premere l'interruttore di controllo direzione in posizione di guida (D) e portarsi alla posizione di taglio desiderata.

## **i** NOTA

Prestare attenzione quando si attraversano sentieri di ghiaia o passi carrai. Prima di attraversare, disinnestare le lame e sollevare il piatto di taglio nella posizione più alta per ridurre al minimo la possibilità di rimbalzo. Guidare lentamente per evitare la perdita di trazione e controllo.

## **i** NOTA

Non tentare di cambiare la direzione di funzionamento mentre il tosaerba è in movimento. Fermarsi sempre completamente prima di cambiare la direzione del tosaerba.

### **4.2.2 IMPOSTARE IL PULSANTE DEL CONTROLLO AUTOMATICO DELLA VELOCITÀ**

1. Mentre si guida il tosaerba in avanti, premere il pedale dell'acceleratore fino a raggiungere la velocità desiderata.
2. Premere il pulsante del controllo automatico della velocità e tenerlo premuto per più di 0,4s.
3. Rilasciare la pressione sul pedale dell'acceleratore. La velocità della falciatrice dovrebbe rimanere costante.

### **4.2.3 RILASCIARE IL PULSANTE DEL CONTROLLO AUTOMATICO DELLA VELOCITÀ**

1. Toccare leggermente il pedale dell'acceleratore, premere il pedale del freno.

### **4.2.4 INSERIRE IL FRENO DI STAZIONAMENTO**

1. Premere completamente e tenere premuto il pedale del freno.
2. Tirare la maniglia del freno di stazionamento verso l'alto, trattenendola.
3. Rilasciare il pedale del freno.
4. Rilasciare la leva del freno di stazionamento.

## **▲ AVVERTIMENTO**

Non lasciare mai il tosaerba incustodito quando il motore è in funzione. Verificare che il freno di stazionamento sia inserito e che la chiave sia stata rimossa. Il mancato inserimento del freno di stazionamento potrebbe causare il movimento del tosaerba, e lasciare la chiave inserita potrebbe portare all'uso non autorizzato con conseguenti gravi lesioni alla persona.

### **4.2.5 RILASCIARE IL FRENO DI STAZIONAMENTO**

1. Premere il pedale del freno per rilasciare il freno di stazionamento.

### **4.2.6 ARRESTO DELL'APPARECCHIO**

1. Arrestare il tosaerba su una superficie piana e a livello.
2. Inserire il freno di stazionamento.
3. Spingere l'interruttore PTO per disattivare le lame.
4. Girare la chiave di avviamento in posizione OFF.

### **4.2.7 FUNZIONAMENTO IN MODALITÀ INVERSA**

*Fare riferimento alla figura 13*

- Premere il pedale del freno e arrestare completamente il tosaerba.
- Spingere l'interruttore PTO per disattivare le lame.
- Posizionare l'interruttore di controllo della direzione in posizione di retromarcia (R).
- Premere il pulsante di taglio in retromarcia.
- Alzare l'interruttore PTO, premere lentamente il pedale dell'acceleratore e tosare in retromarcia secondo necessità.

## ▲ AVVERTIMENTO

Non tagliare l'erba in retromarcia a meno che non sia assolutamente necessario. Guardare sempre in basso e indietro prima e durante la retromarcia per assicurarsi che non vi siano bambini, astanti o animali domestici nell'area di taglio. Bisogna sempre ricordare che anche una sola frazione di secondo è sufficiente per causare incidenti mortali o lesioni gravi.

## ▲ AVVERTIMENTO

Prestare particolare attenzione prima e durante la retromarcia con il kit per il cesto opzionale (non fornito) installato, in quanto potrebbe limitare la visibilità. Guardare sempre attentamente indietro e in basso per accertarsi che non vi siano bambini, astanti e animali domestici, e spostare lentamente il tosaerba per evitare incidenti che possono causare morte o gravi lesioni.

### 4.2.8 UTILIZZARE LA PRESA DI RICARICA USB

*Fare riferimento alla figura 14*

La porta di ricarica USB fornisce una potenza di ricarica di 5 Volt CC fino a 2,1 ampere per telefono cellulare, lettore MP3 o altri dispositivi USB. Consultare il manuale dell'utente del dispositivo per i requisiti di ricarica specifici.

Collegare un'estremità di un cavo USB (non fornito) al dispositivo e l'altra estremità alla porta di ricarica USB del tosaerba, per iniziare a caricare il dispositivo.

#### i NOTA

Il tentativo di caricare dispositivi con potenza nominale superiore a 2,1 ampere potrebbe danneggiare la porta di ricarica USB e/o il tosaerba.

#### i NOTA

La porta USB è alimentata solo all'avvio della macchina.

## ▲ AVVERTIMENTO

Non utilizzare mai le cuffie o altro dispositivo elettronico, quali smartphone o tablet, mentre si utilizza il tosaerba. La guida distratta può provocare un incidente con conseguenze di morte o di gravi lesioni all'operatore o ad un eventuale astante.

### 4.2.9 SUGGERIMENTI PER L'USO

*Fare riferimento alla figura 15*

- Mantenere le lame del tosaerba affilate.
- Assicurarsi che il prato sia libero da sassi, bastoncini, fili di ferro, giocattoli, gusci, rami e altri oggetti che potrebbero danneggiare le lame o il motore del tosaerba. Non falciare su paletti che delimitano una proprietà o altri pali metallici. Tali oggetti potrebbero danneggiare la lama o essere proiettati accidentalmente dal tosaerba in qualsiasi direzione, causando gravi lesioni all'operatore e ad altri.
- Per ottenere un buon risultato, tagliare sempre un terzo o meno dell'altezza dell'erba.
- Quando si lavora su grandi aree, iniziare girando a destra in modo che i ritagli si scarichino lontano da arbusti, recinzioni, vialetti, ecc. Dopo uno o due giri, lavorare nella direzione opposta, girando a sinistra fino al termine.
- Tagliare l'erba in modo che lo sfalcio fuoriesca verso l'area del prato già tagliata.
- Quando si taglia erba fitta, ridurre la velocità per consentire un taglio più efficace e un corretto scarico dello sfalcio.
- **Durante la rasatura normale**, tagliare solo 38 mm (1.5") dell'altezza dell'erba. Una rasatura più profonda non è raccomandato a meno che l'erba non sia rada o sia la fine della stagione di falciatura.
- Non tosare erba bagnata. Altrimenti l'erba umida aderisce alla parte inferiore del piatto, impedendo il corretto insaccamento o la pacciamatura dello sfalcio.
- L'erba nuova o folta può richiedere un taglio più stretto o un'altezza di taglio maggiore.
- Mantenere puliti il piatto di taglio e lo scivolo di scarico laterale. Rimuovere l'erba tagliata, le foglie, lo sporco e qualsiasi altro residuo accumulato prima e dopo ogni utilizzo. Per le operazioni di pulitura, non utilizzare un tubo da giardino.

## i NOTA

Arrestare sempre il tosaerba, lasciare che le lame si fermino completamente e rimuovere la chiave di avviamento prima di pulire sotto il tosaerba.

### 4.2.10 UTILIZZO SU TERRENI IN PENDENZA

*Fare riferimento alla figura 16*

Le pendenze sono un fattore importante correlato alla perdita di controllo e agli incidenti di ribaltamento, che possono provocare lesioni gravi o morte. Il funzionamento su tutte le pendenze richiede particolare cautela. Se risulta difficoltoso risalire il pendio o se l'operazione crea disagio, si raccomanda di non procedere.

- Viaggiare nella direzione consigliata dal produttore sui pendii. Prestare attenzione mentre si opera in prossimità di dislivelli.
- Non utilizzare la macchina in nessuno dei casi in cui trazione, sterzo o stabilità potrebbero essere compromessi. I pneumatici potrebbero slittare anche se le ruote sono ferme.
- Mantenere sempre la marcia innestata durante la discesa. Non procedere a motore spento in discesa.
- Percorrere i terreni in pendenza verso l'alto e verso il basso; non attraversarli perpendicolarmente.
- Prestare attenzione a buche, solchi, dossi, pietre o altri ostacoli nascosti. I terreni irregolari possono causare il ribaltamento della macchina. L'erba alta può nascondere eventuali ostacoli.
- Non usare la macchina in prossimità di fossati, discese ripide o scarpate. La macchina potrebbe ribaltarsi improvvisamente se una ruota supera un ciglio o se il ciglio cede.
- Selezionare una bassa velocità in modo da non doversi fermare o cambiare marcia durante operazioni condotte in pendenza.
- Non falciare su erba bagnata. Gli pneumatici possono perdere aderenza.
- Non avviare o arrestare la macchina e non effettuare svolte sui terreni in pendenza. Se le ruote perdono aderenza, arrestare le lame e procedere lentamente in discesa.
- Tutti i movimenti sui terreni in pendenza devono essere lenti e gradualmente. Non effettuare bruschi cambi di velocità o direzione, che potrebbero causare il ribaltamento della macchina.
- Prestare particolare attenzione durante l'uso della macchina quando è collegata a un accessorio, perché quest'ultimo può influenzare la stabilità della macchina. Non usare l'apparecchio su pendenze eccessive.
- Se si utilizza il kit per il cesto opzionale, prestare estrema attenzione e azionare il tosaerba lentamente quando si lavora su pendii, in quanto il kit potrebbe modificare la stabilità del tosaerba.
- Utilizzare sempre i freni durante la discesa. Non tentare di lasciare il tosaerba in folle in discesa.

## 5 SISTEMA ELETTRICO

### 5.1 SICUREZZA ELETTRICA

- Rimuovere la chiave e le batterie e leggere il manuale dell'operatore prima di regolare o riparare la macchina.
- Rimuovere sempre la chiave e le batterie prima di lavorare sulla presente macchina.
- Rimuovere sempre la chiave e le batterie durante il trasporto della macchina.
- Mantenere la macchina priva di residui di erba, foglie e altri detriti. NON spruzzare acqua per pulire la macchina. Utilizzare esclusivamente aria compressa. Indossare adeguate protezioni per gli occhi e le orecchie durante la pulizia della macchina.
- Indossare sempre occhiali di sicurezza e dispositivi di protezione vicino alla batteria. Usare utensili elettricamente isolati.
- Pulire il vano batteria, il vano motore, il piatto di taglio, il sedile ecc. e rimuovere sporcizia e detriti.

Non usare solventi, detersivi aggressivi o sostanze abrasive.

- Con la chiave in posizione ON, la lama del tosaerba può innestarsi quando l'interruttore ON/OFF (PTO) delle lame del piatto è innestato, anche se il motore di trasmissione non gira. Tenere l'area libera da astanti quando si inserisce l'interruttore ON/OFF della lama del piatto di taglio.
- Tutte le aree di manutenzione e stoccaggio devono essere adeguatamente ventilate in conformità con i codici e le ordinanze antincendio applicabili onde evitare rischi di incendio.
- Non fumare, non accendere fuochi e non causare scintille in prossimità delle batterie.
- Tenere le batterie fuori dalla portata dei bambini.
- Mantenere i dispositivi di protezione correttamente posizionati e fissati saldamente. Se sono danneggiati, ripararli o sostituirli immediatamente. Non rimuovere o modificare i dispositivi di sicurezza.

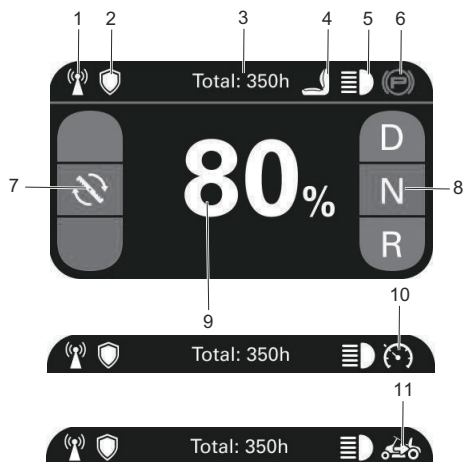
## 5.2 INFORMAZIONI SUL SISTEMA ELETTRICO.

Il tosaerba Cramer è alimentato da un sistema elettrico a 82 volt. Consiste dei seguenti componenti:

1. Lama e regolatore di trasmissione (1)
2. Motore lama (2)
3. Acceleratore (1)
4. Display digitale (1)
5. Motore ruote (1)
6. Vano batteria (1)

## 5.3 DISPLAY DIGITALE

La funzione del display digitale, situato sul pannello di controllo, è fornire informazioni sul sistema elettrico all'operatore. Tali informazioni sono fornite sotto forma di grafici, codici e cifre.



N.	Nome	Funzione
1		Segnale GPS 4G
2		Scudo Verde
3	Totale: 350 ore	Tempo di lavoro del veicolo
4		Il pulsante del sedile è chiuso.
5		Luci LED
6		Il freno di stazionamento è inserito.
7		Velocità lama
8	D/N/R	Direzione di guida: Avanzamento (D), Folle (N) e Retromarcia (R).
9	80%	Percentuale batteria
10		Leva di controllo della velocità
11		La modalità di taglio in retromarcia è attivata.

## 6 ERRORE

Il sistema CANBUS interviene per proteggere l'utente e la macchina quando rileva un problema. Quando agisce per spegnere la macchina o un componente, indicherà che si è verificato un errore e tale errore verrà visualizzato sul display digitale. Tutti gli errori elettrici sono contrassegnati da una lettera seguita da un numero. La prima lettera descrive il sistema che ha causato l'errore come nel presente grafico:

Nome	Significato
T	Regolatore di guida e motore
PMU	Unità di gestione dell'alimentazione (nel vano batteria)
ML	Regolatore motore lama sinistro
MR	Regolatore motore lama destro
V	Veicolo

## 6.1 CODICE ERRORE

Codice errore	Descrizione	Soluzione
T11	Sovratensione	La tensione è troppo alta. Riavviare l'alimentazione.
T12	Sottotensione	La tensione è troppo bassa. Ricaricare il gruppo batteria prima dell'uso.
T13	Errore di autotest del regolatore	Se si riscontra questo problema, contattare il proprio distributore per trovare una soluzione.
T14	Motore di azionamento in stallo	Controllare se le ruote motrici sono bloccate e riavviare l'alimentazione.
T15	Errore encoder motore	Verificare che il connettore effetto Hall del regolatore azionamento sia collegato correttamente, quindi riavviare l'alimentazione.
T16	Errore nel circuito del driver regolatore	Se si riscontra questo problema, contattare il proprio distributore per trovare una soluzione.
T17	Regolatore temperatura eccessiva	La temperatura del regolatore è troppo alta. Attendere che il regolatore si raffreddi, quindi riavviare l'alimentazione.
T18	Surriscaldamento motore	La temperatura del motore è troppo alta. Attendere che il motore si raffreddi, quindi riavviare l'alimentazione.
T21	Sensore temperatura motore anomala	Controllare il cablaggio del sensore di temperatura per anomalie.
T22	Carico corrente parte motrice dell'hardware del regolatore	Il carico è troppo alto. Riavviare l'alimentazione.
T23	Errore di pre-carica	Riavviare l'alimentazione.
T25	Corrente eccessiva del software motore	Il carico è troppo alto. Riavviare l'alimentazione.
T26	Errore MOS elemento motore	Se si riscontra questo problema, contattare il proprio distributore per trovare una soluzione.
T27	Perdita di fase motore	Verificare che i cavi del motore del regolatore azionamento siano collegati correttamente, quindi riavviare l'alimentazione.
T28	Surriscaldamento del regolatore elemento motore	La temperatura del regolatore è troppo alta. Attendere che il regolatore si raffreddi, quindi riavviare l'alimentazione.
V14	Sequenza delle operazioni di taglio in retromarcia errata	Premere il pulsante di falciatura in retromarcia prima di avviare le operazioni di falciatura in retromarcia.
V15	Errore di autotest del veicolo	<ol style="list-style-type: none"> <li>1. Prima di avviare il veicolo, verificare che il freno sia in posizione inserita.</li> <li>2. Prima di avviare il veicolo, posizionare l'interruttore della taglierina in posizione OFF e verificare che l'interruttore della taglierina sia collegato correttamente.</li> <li>3. Prima di avviare il veicolo, posizionare la leva del cambio FNR in posizione N.</li> <li>4. Verificare che il connettore sotto il sedile sia collegato correttamente.</li> <li>5. Non premere il pulsante del controllo della velocità quando si avvia il veicolo.</li> <li>6. Non premere il pedale dell'acceleratore quando si avvia il veicolo.</li> </ol>

Codice errore	Descrizione	Soluzione
V16	Sequenza operativa errata	Riportare l'acceleratore e l'interruttore delle lame nelle posizioni iniziali.
V17	Errore comunicazione SPI	Riavviare l'alimentazione.
V18	Guasto vano batteria (PMU).	Verificare che i cavi dell'acceleratore siano collegati correttamente e riavviare l'alimentazione.
V22	Segnale lame anomalo	Verificare che l'interruttore di avviamento della lama sia collegato correttamente, quindi riportare l'interruttore nella posizione iniziale.
V21	Errore comunicazione CAN del dispositivo PMU	Comunicazione con il vano batteria terminata. Riavviare l'alimentazione.
V23	Interruttore presenza operatore anomalo	Verificare che il connettore sotto il sedile sia collegato correttamente, quindi riavviare l'alimentazione.
ML3	Sovracorrente del software della lama sinistra	Controllare il carico di taglio e riavviare l'alimentazione.
ML4	Lama sinistra in stallo	Controllare il carico di taglio e riportare l'interruttore di avviamento della lama nella posizione iniziale.
ML6	Errore MOS lama sinistra	Se si riscontra questo problema, contattare il proprio distributore per trovare una soluzione.
ML7	Mancanza fase motore lama sinistra	Verificare che i cavi del regolatore lama e del motore siano collegati correttamente, quindi riavviare l'alimentazione.
ML9	Temperatura del regolatore della lama sinistra anomala	La temperatura del regolatore è troppo alta. Attendere che il regolatore si raffreddi, quindi riavviare l'alimentazione
ML14	Sovracorrente dell'hardware della lama sinistra	Controllare il carico di taglio e riavviare l'alimentazione.
ML15	La lama sinistra non si è avviata	Controllare il carico di taglio e riportare l'interruttore di avviamento della lama nella posizione iniziale.
MR3	Protezione da bassa velocità del motore	Controllare il carico di taglio e riavviare l'alimentazione.
MR4	Protezione da eccessiva velocità del motore	Controllare il carico di taglio e riportare l'interruttore di avviamento della lama nella posizione iniziale.
MR6	Errore del sensore Hall del motore	Se si riscontra questo problema, contattare il proprio distributore per trovare una soluzione.
MR7	Perdita di fase del regolatore	Verificare che i cavi del regolatore lama e del motore siano collegati correttamente, quindi riavviare l'alimentazione.
MR9	Errore di circuito aperto MOSFET	La temperatura del regolatore è troppo alta. Attendere che il regolatore si raffreddi, quindi riavviare l'alimentazione.
MR14	Tensione regolatore bassa	Controllare il carico di taglio e riavviare l'alimentazione.
MR15	Tensione regolatore alta	Controllare il carico di taglio e riportare l'interruttore di avviamento della lama nella posizione iniziale.
PMU10	Errore di circuito batteria aperto	La temperatura del vano batteria e della batteria è troppo bassa. Utilizzare la macchina ad una temperatura adeguata e riavviare l'alimentazione.
PMU11	Errore PMU importante	La temperatura del vano batteria e della batteria è troppo alta. Attendere che la batteria si raffreddi, quindi riavviare l'alimentazione.



Codice errore	Descrizione	Soluzione
PMU12	Errore PMU secondario	Un grave errore nel vano batteria ha impedito l'avvio dei sistemi di azionamento e lama. Riavviare l'alimentatore e riprovare.
PMU13	Nessun pacco batteria disponibile	Verificare di utilizzare la batteria corretta, quindi riavviare l'alimentazione.
PMU	Pacchi batteria disponibili insufficienti, la funzionalità potrebbe essere limitata.	Si prega di inserire più pacchi batteria.
NA	Errore di comunicazione display	Controllare le parti di collegamento del display e la rete CAN.
	Selezione display errato	Selezionare il display corretto per il proprio modello di veicolo

## 7 MANUTENZIONE

### 7.1 MANUTENZIONE DELLE LAME

Controllare le lame quotidianamente, perché sono essenziali per garantire l'efficienza della macchina e un prato ben tenuto. Mantenerle affilate; una lama smussata strappa l'erba invece di tagliarla, causando la formazione di sfilacciature scure sull'erba qualche ora dopo l'operazione. Inoltre, una lama smussata richiede più potenza. Sostituire le lame se sono piegate, incrinata o danneggiate.

#### ▲ AVVERTIMENTO

Non tentare di raddrizzare una lama piegata riscaldandola o di saldare una lama incrinata o danneggiata, perché la lama può rompersi e causare lesioni gravi. Sostituire le lame usurate o danneggiate.

#### ▲ AVVERTIMENTO

Non intervenire sulle lame quando la chiave è inserita nell'interruttore di accensione. Girare la chiave in posizione "OFF", rimuovere le unità batteria dalla macchina. Bloccare la macchina in posizione rialzata se è necessario intervenire sulla parte inferiore. Indossare guanti di protezione durante la manipolazione delle lame. Verificare lo stato delle lame se la macchina urta una pietra, un ramo o un altro oggetto estraneo.

#### ▲ PERICOLO

Dopo l'affilatura, verificare che le lame siano bilanciate. Dopo l'affilatura, verificare che le lame siano bilanciate. Uno strumento di bilanciamento commerciale è disponibile presso negozi di ferramenta; in alternativa, è possibile controllare il bilanciamento della lama posizionandola su un cono o un bullone da 12,7 mm (1/2"). La lama non deve essere inclinata. Ruotare lentamente la lama e verificare che non ondeggi. Se la lama non è bilanciata, allinearla prima di reinstallarla. Appoggiare la lama su una superficie piatta e verificare che non sia deformata. Se la lama è deformata, sostituirla.

#### ▲ AVVERTIMENTO

- La parte curva della lama deve essere rivolta verso l'alto, verso l'interno del piatto per garantire un taglio corretto.
- Quando si montano le lame, ruotarle dopo l'installazione per garantire che le punte delle lame non si tocchino tra loro o sui lati del tosaerba.
- Il mancato serraggio corretto del bullone può comportare la perdita della lama, con conseguenti lesioni gravi.
- Le lame del tosaerba sono affilate e possono tagliare. Indossare guanti e prestare particolare attenzione durante gli interventi sulle lame.

#### 7.1.1 SOSTITUZIONE DELLA LAMA

Fare riferimento alla figura 17

1. Arrestare il motore, rimuovere la chiave di avviamento e inserire il freno di stazionamento.

- Alzare il piatto di taglio nella posizione più alta per consentire l'accesso alle lame.

## i NOTA

Se necessario, sollevare il tosaerba posizionandolo su un sollevatore o utilizzando un martinetto e dei cavalletti, oppure rimuovere il piatto di taglio come descritto nella sezione precedente per accedere alle lame.

## ▲ AVVERTIMENTO

Se si solleva il tosaerba per accedere alle lame, assicurarsi che il tosaerba sia fissato correttamente e che il freno di stazionamento sia inserito prima di procedere. Il mancato corretto fissaggio del tosaerba potrebbe provocarne la caduta, con conseguenti lesioni gravi o mortali.

- Incastrate un blocco di legno tra la lama e il piatto di taglio per evitare che la lama ruoti.
- Allentare il dado della lama ruotandolo in senso antiorario (guardando dal fondo del tosaerba) utilizzando una chiave a bussola da 16 mm (non fornita).
- Rimuovere il dado della lama, il distanziatore, il carter della lama e la lama.
- Infilare il dado della lama sull'albero e serrare a mano.
- Serrare il dado della lama in senso orario utilizzando una chiave dinamometrica (non fornita) per assicurarsi che il bullone sia serrato correttamente. La coppia consigliata per il dado della lama è 90 N.m~100N.m (66~74 ft.lbs).

## ▲ AVVERTIMENTO

Assicurarsi che la lama sia posizionata correttamente e che il dado della lama sia serrato secondo le specifiche di coppia di cui sopra. Il mancato fissaggio corretto della lama potrebbe causarne l'allentamento e provocare gravi lesioni all'operatore.

- Ripetere l'operazione per la seconda lama, se necessario.

## i NOTA

Assicurarsi che tutte le parti vengano sostituite nell'ordine esatto in cui sono state rimosse.

## 7.2 SOSTITUIRE IL FARO

*Fare riferimento alla figura 18*

Contattare il servizio clienti o visitare il nostro sito Web online per ordinare un nuovo faro.

- Parcheggiare il tosaerba su una superficie piana e inserire il freno di stazionamento.
- Arrestare il motore e rimuovere la chiave di avviamento.
- Rimuovere e mettere da parte la vite a testa esagonale e la rondella piatta che tengono in posizione il pannello del pavimento del tosaerba.
- Sollevare leggermente il pannello del pianale per accedere alle due viti a testa esagonale e alle rondelle piatte che fissano il faro in posizione. Rimuovere le viti e le rondelle e metterle da parte.
- Scollegare il vecchio faro e smaltirlo.
- Collegare il nuovo faro e reinstallare le rondelle e le viti. Avvitare saldamente.
- Abbassare il pianale e reinstallare la rondella e la vite per fissarlo.

## 7.3 PNEUMATICI

Per un taglio a livello è importante che tutti gli pneumatici siano gonfiati alla pressione corretta. Le pressioni raccomandate sono elencate nella tabella seguente:

## i NOTA

La pressione degli pneumatici deve essere misurata o regolata quando gli pneumatici sono freddi.

Ruote motrici	8 psi
Ruote anteriori	24 psi

## i NOTA

Ispezionare gli pneumatici quotidianamente. Sostituirli immediatamente se sono danneggiati.

## ▲ AVVERTIMENTO

Controllare attentamente la pressione degli pneumatici durante il gonfiaggio. Una quantità eccessiva di aria negli pneumatici può causarne lo scoppio, con il rischio di lesioni.

## 7.4 LUBRIFICAZIONE

Fare riferimento alla figura 19

Aggiungere olio prima dell'operazione.

Tipo di olio	SAE85W-140
Proprietà dell'olio	180 ml

Contattare il proprio rivenditore Cramer per la sostituzione del lubrificante.

## i NOTA

Sostituire l'olio del cambio dopo aver utilizzato la macchina per 50 ore per la prima volta, quindi procedere con la sostituzione ogni 200 ore.

## 7.5 VALORI DI COPPIA

### ▲ AVVERTIMENTO

Prestare particolare attenzione durante il serraggio dei dadi ruota e dei bulloni delle lame. Il serraggio a una coppia scorretta può causare il distacco di una ruota o una lama, con il rischio di danni o lesioni.

Di seguito sono riportati i valori di coppia:

Parte	Ft-lbs.	Nm
Dadi ruota	89	120
Bulloni delle lame	66	90

**Solo dadi ad alette**-Si consiglia di controllarli dopo le prime 2 ore di funzionamento, inizialmente ogni 100 ore e successivamente alla rimozione per riparazione o sostituzione.

## 7.6 MANUTENZIONE DEL GRUPPO BATTERIA

Il tuo Cramer tosaerba è alimentato da batteria che, se sottoposta a corretta manutenzione, garantisce diversi anni di vita utile. Per una cura adeguata, attenersi alle seguenti istruzioni:

- Caricare sempre le batterie dopo ogni utilizzo.
- Ogni volta che una batteria è completamente scarica e spenta, si raccomanda di procedere alla ricarica il prima possibile. Se la batteria si scarica spesso significa che la sua durata sarà ridotta e potrebbe subire danni permanenti. Non è necessario ricaricarla completamente; è sufficiente lasciarla sotto carica per 5-10 minuti. Si raccomanda di ricaricarla entro 24 ore.
- Evitare che erba, sporcizia e detriti si raccolgano vicino ai terminali della batteria e nel suo alloggiamento.
- Caricare le batterie al chiuso in un luogo ben ventilato e asciutto, lontano da scintille o fiamme. Non esporre mai il caricabatterie a pioggia, vapore o liquidi.
- Caricare solo batterie al litio fornite da Cramer.
- Non toccare parti esposte del caricabatterie (morsetti) o del connettore di uscita.
- Non utilizzare con cavi e fili difettosi. Sostituire immediatamente cavi e fili difettosi.
- Per la conservazione a lungo termine, assicurarsi che la temperatura di conservazione sia compresa tra -20°C e 45°C entro un mese e tra 0°C e 35°C tra due e dodici mesi.
- L'ambiente di lavoro per la batteria è -20°C -55°C per lo scarico e 0°C -55°C per la carica.

## 7.7 MANUTENZIONE FILTRO VANO BATTERIA

Sostituire il filtro del vano batteria ogni 200 ore.

## 7.8 RIPARAZIONI

### i IMPORTANTE

Attendere che tutte le parti in movimento si arrestino prima di regolare, pulire o riparare la macchina. Tutte le operazioni di riparazione o manutenzione che richiedono energia elettrica devono essere effettuate esclusivamente da personale qualificato. Leggere e rispettare le avvertenze di sicurezza riportate nel manuale.

### i IMPORTANTE

Tutte le operazioni di riparazione o manutenzione che richiedono energia elettrica devono essere effettuate esclusivamente da personale qualificato.

- Parcheggiare la macchina su un terreno a livello. Accertarsi che le leve di comando dello sterzo siano a folle e che l'interruttore PTO sia in posizione "OFF". Sollevare il piatto, ruotare la chiave in posizione "OFF", rimuovere la chiave dall'interruttore e rimuovere le batterie dal vano batteria sotto il sedile.
- Qualsiasi operazione di manutenzione che richieda la rimozione dei carter di sicurezza deve essere eseguita da un tecnico dell'assistenza qualificato.
- Usare un'asta o uno strumento simile per pulire la parte inferiore della macchina, evitando così di posizionare il proprio corpo, in particolare braccia e mani, sotto la macchina.
- Tenere la macchina pulita e rimuovere eventuali depositi di rifiuti e sfalci.
- Tenere il vano batteria, il piatto e la postazione dell'operatore puliti da rifiuti accumulati, erba tagliata e altri detriti.
- Pulire il vano batteria, il vano motore, il piatto di taglio, il sedile ecc. e rimuovere sporcizia e detriti. Per la pulizia, utilizzare esclusivamente aria compressa. NON USARE acqua, solventi, detergenti aggressivi o sostanze abrasive.
- Indossare adeguate protezioni per gli occhi durante gli interventi sulle batterie, l'affilatura delle lame e la rimozione dei detriti. Non tentare di regolare o riparare il motore di trazione, il piatto di taglio o altri accessori quando il motore è in funzione. Tutte le operazioni di riparazione o manutenzione che richiedono energia elettrica devono essere effettuate esclusivamente da personale qualificato.
- Non lavorare mai sotto la macchina o un accessorio che non sono stati messi in sicurezza da cavalletti. Accertarsi che la macchina sia sicura quando viene sollevata e posizionata sui cavalletti.
- I cavalletti non devono consentire alla macchina di muoversi quando il sistema di trazione è in funzione e le ruote motrici sono in rotazione. Utilizzare esclusivamente cavalletti per automobile omologati. Per bloccare la macchina in posizione sollevata, utilizzare esclusivamente cavalletti per automobile appropriati con capacità di carico pari o superiore a 907,2 kg (2000 libbre). Utilizzarli sempre in coppia. Seguire le istruzioni fornite insieme ai cavalletti per veicoli.
- Non toccare le parti calde della macchina.
- Mantenere dadi e bulloni ben serrati, in particolare i bulloni di fissaggio delle lame. Mantenere la macchina in buone condizioni di funzionamento.
- Non manomettere mai i dispositivi di sicurezza. Controllare con regolarità che funzionino correttamente.
- Girare la chiave in posizione "OFF" prima di sbloccare lo scivolo di scarico.
- Non pulire lo scivolo di scarico quando la macchina è in funzione. Ruotare la chiave in posizione "OFF" e assicurarsi che le lame si siano fermate prima della pulizia. Usare un'asta per rimuovere le ostruzioni dall'area di scarico. Non usare mai le mani!
- Arrestare la macchina e attendere che le lame si fermino prima di rimuovere un'ostruzione dallo scivolo di scarico. I componenti del sistema di raccolta dell'erba sono soggetti a usura, danni e deterioramento; ciò può comportare l'esposizione delle parti mobili o il lancio di oggetti. Controllare frequentemente i componenti e sostituirli con parti consigliate dal produttore, se necessario.
- Prestare attenzione quando si lavora sotto il piatto poiché le lame del tosaerba sono estremamente affilate. Indossare guanti e prestare particolare attenzione durante gli interventi sulle lame.
- Utilizzare solo ricambi originali Cramer per il tosaerba al fine di garantire il mantenimento degli standard originali.
- Scollegare sempre le batterie prima di trasportare la macchina. Mantenere la macchina priva di residui di erba, foglie e altri detriti.
- Controllare spesso il funzionamento del freno. Regolare e riparare come richiesto dal caso.

- Tenere in buono stato o sostituire le etichette e le istruzioni di sicurezza, se necessario.
- Far riparare il tosaerba con operatore a bordo da un riparatore qualificato utilizzando solo pezzi di ricambio identici. Ciò garantirà il mantenimento della sicurezza del tosaerba con operatore a bordo.
- Ricaricare la batteria esclusivamente con il caricabatteria specificato dal costruttore. Un caricabatteria adatto a un certo tipo di gruppo batteria comporta il rischio di incendio se utilizzato con gruppi batteria di tipo diverso.

## 8 TRASPORTO E CONSERVAZIONE

### 8.1 TRASPORTO

#### ▲ AVVERTIMENTO

Prestare particolare attenzione quando si carica o scarica la macchina su un rimorchio. Premere il pulsante di guida a bassa velocità e spostare con cautela le leve di guida secondo necessità al fine di controllare la velocità. Fare sempre retromarcia sul rimorchio durante il caricamento. Quando si carica o si scarica il tosaerba, non superare l'angolo massimo consigliato di 15°. La mancata osservanza di queste istruzioni può causare la perdita di controllo e provocare il decesso, gravi lesioni o danni materiali.

#### ▲ AVVERTIMENTO

Prestare attenzione quando si carica o scarica il tosaerba su un rimorchio. Assicurarsi che il piatto di taglio sia sollevato nella posizione più alta in modo che non rimanga impigliato nella rampa. Le ruote del tosaerba possono staccarsi dalla rampa o dal rimorchio, facendo ruotare o ribaltare il tosaerba e causare un pericolo di schiacciamento che può causare morte o gravi lesioni.

1. Parcheggiare il tosaerba su una superficie piana.
2. Sollevare il piatto di taglio nella posizione più alta.
3. Posizionare e fissare la rampa al rimorchio secondo le istruzioni del produttore.

#### i NOTA

Si consiglia di utilizzare una rampa di carico a tutta larghezza che sia almeno 30 centimetri più larga del tosaerba al fine di ridurre al minimo il rischio che le ruote del tosaerba escano dal lato della rampa.

4. Riportare lentamente il tosaerba sulla rampa e nel rimorchio.
5. Abbassare completamente il piatto di taglio.
6. Inserire il freno di stazionamento.
7. Spegnerne il tosaerba e rimuovere la chiave.
8. Fissare il tosaerba secondo necessità utilizzando cinghie o cavi per impedirne il movimento durante il trasporto.

#### ▲ AVVERTIMENTO

Al fine di evitare avviamenti o movimenti accidentali che potrebbero causare gravi lesioni, rimuovere sempre la chiave di avviamento e inserire il freno di stazionamento durante il trasporto del tosaerba.

### 8.2 PULIZIA E STOCCAGGIO

#### 8.2.1 PULIZIA DELLA MACCHINA

- Rimuovere eventuali accumuli di erba e foglie sopra o intorno al coprimotore (non utilizzare acqua da un ugello ad alta pressione per lavare il motore).
- Di tanto in tanto pulire il tosaerba con un panno asciutto.
- Se i detriti si accumulano sul lato inferiore del tosaerba durante l'uso, arrestare il motore, spegnere la macchina e pulirla con un raschietto utilizzando uno strumento appropriato.

#### 8.2.2 PULIRE IL PIATTO DI TAGLIO

*Fare riferimento alla figura 20*

- Inserire il freno di stazionamento nelle zone di parcheggio.
- Regolare l'altezza del piatto di taglio al minimo.

- Collegare l'attacco rapido dell'imbocco lavaggio in dotazione al tubo da giardino.
- Collegare il tubo da giardino con l'attacco rapido all'imbocco lavaggio sul piatto di taglio. L'imbocco lavaggio si trova sul lato sinistro del piatto di taglio.
- Aprire l'acqua.
- Tirare l'interruttore della presa di forza per avviare le lame di taglio del tosaerba e regolare la velocità della lama al massimo.
- Sciacquare sotto il piatto per circa un minuto.
- Sganciare le lame del tosaerba spingendo l'interruttore PTO verso il basso.
- Chiudere l'acqua e rimuovere il tubo da giardino e l'attacco rapido dall'imbocco lavaggio.
- Rimuovere l'attacco rapido dal tubo da giardino e conservarlo per un uso futuro.
- Spegnerne completamente il tosaerba.

## 8.2.3 STOCCARE IL TOSAERBA

Per preparare la macchina allo stoccaggio è necessario eseguire le seguenti operazioni.

- Pulire la macchina come descritto nella sezione precedente.
- Ispezionare la lama e sostituirla o affilarla, se necessario (fare riferimento alla sezione Manutenzione).
- Non riporre la macchina vicino a materiali corrosivi, come fertilizzanti o salgemma.
- Tenere la macchina fuori dalla portata dei bambini.
- Non coprire la macchina con un telo di plastica resistente. I rivestimenti in plastica trattengono l'umidità attorno alla macchina, causando ruggine e corrosione.
- Controllare accuratamente eventuali parti usurate o danneggiate che devono essere sostituite e ordinarle al proprio rivenditore.
- Contattare il centro assistenza per lubrificare a fondo la macchina.
- Caricare e riparare completamente le batterie.
- Non sgonfiare gli pneumatici.
- La macchina deve essere conservata in un luogo ben ventilato, pulito e asciutto poiché il caricabatteria non può essere utilizzato in un ambiente umido.
  - Mantenere sempre le batterie completamente cariche. È particolarmente importante evitare danni alla batteria quando la temperatura è inferiore a 0°C (32°F).
  - Collegare l'adattatore del caricabatterie alla porta di ricarica e le batterie secondo la sezione Adattatore di ricarica, nella sezione Impianto elettrico.
  - Collegare il caricabatterie ad una presa elettrica adeguata. Per maggiori dettagli sull'uso del caricabatterie e sulla ricarica delle batterie, fare riferimento alle sezioni Caricabatteria, Ricarica della batteria e Raccomandazioni per la ricarica della sezione Impianto elettrico.
  - Per massimizzare la durata della batteria, è meglio caricare completamente le batterie poco dopo ogni utilizzo.

## 8.2.4 PREPARARE PER L'USO DOPO LO STOCCAGGIO

Prima di utilizzare il tosaerba dopo che è stato riposto, è necessario eseguire le seguenti operazioni:

- Caricare completamente le batterie.
- Controllare la pressione degli pneumatici e gonfiare se necessario.
- Guidare brevemente il tosaerba e controllare tutti i sistemi e i componenti per assicurarsi che funzionino correttamente.

9 RISOLUZIONE DEI PROBLEMI

PROBLEMA	POSSIBILE CAUSA	SOLUZIONE
Il veicolo non si muove.	Il vano batteria non è inserito nella batteria o non è designato Cramer come batteria.	Per garantire il normale funzionamento del veicolo, è necessario inserire almeno 1 pezzo tra i prodotti designati per la batteria Cramer nel vano batteria.
	La batteria non è carica.	Controllare la carica della batteria.
	Nessuno è seduto sul sedile o l'interruttore di presenza operatore non è chiuso.	Assicurarsi che il conducente sia seduto sul sedile.
	Il freno di stazionamento è inserito.	Assicurarsi di disinnestare completamente il freno di stazionamento, in modo che le ruote possano ruotare liberamente.
	Il vano batteria è inattivo.	Portare l'interruttore a chiave in posizione OFF e attendere più di 5 secondi prima di riavviare la macchina.
Guasto improvviso durante la guida	La batteria non è carica.	Per garantire il normale funzionamento dell'intero veicolo, è necessario posizionare almeno 1 pezzo di prodotti Cramer designati come batteria nel vano batteria e assicurarsi che la batteria sia alimentata.
	Strade dissestate, con conseguente disconnessione dell'interruttore di presenza operatore.	Inserire il freno di stazionamento, riavviare la macchina e spingere il joystick.
	Guasto al pedale dell'acceleratore.	Contattare il personale Cramer addetto al servizio post vendita.
	Il regolatore guida non funziona.	Contattare il personale Cramer addetto al servizio post vendita.
La lama non funziona dopo aver tirato l'interruttore PTO.	Il vano batteria non è inserito nella batteria specificata da Cramer.	Per garantire il normale funzionamento dell'intero veicolo, è necessario posizionare almeno 1 pezzo di prodotti Cramer designati come batteria nel vano batteria e assicurarsi che la batteria sia alimentata.
	La carica della batteria è inferiore al 5%.	Controllare la carica della batteria, se la carica della batteria è bassa, caricare la batteria.
	L'interruttore presenza operatore non è chiuso.	Assicurarsi che il conducente sia seduto sul sedile.
	L'interruttore della lama (PTO) non è nella posizione iniziale prima dell'accensione.	Premere il PTO e tirarlo di nuovo verso l'alto.
	Blocco motore lama o altra protezione funzionale.	Al fine di garantire una rotazione regolare della lama, controllare che non ci siano erbacce e altri oggetti estranei nel collegamento tra la lama e il motore. Si consiglia di sollevare il piatto e avviare la lama prima di regolare il piatto sulla marcia richiesta.
	Il regolatore non funziona correttamente.	Assicurarsi che non vi siano altri errori visualizzati sul display.
La lama si ferma durante il taglio dell'erba.	Il regolatore della lama non funziona correttamente.	Controllare il codice di errore che appare sul display.
	Sovraccarico motore lama.	Pulire l'interno del piatto, assicurarsi che non vi siano rotazioni anomale della lama, premere l'interruttore PTO, riavviare la macchina e ridurre il carico della lama, alzan-

PROBLEMA	POSSIBILE CAUSA	SOLUZIONE
		do l'altezza del piatto di taglio o riducendo la velocità di avanzamento.
	La temperatura della batteria è troppo alta.	Non utilizzarlo immediatamente dopo il completamento della ricarica, altrimenti potrebbe attivare l'errore di protezione della temperatura della batteria.
	La carica della batteria è inferiore al 5%.	La carica della batteria è bassa, caricare la batteria.
	La lama viene colpita da un oggetto estraneo, provocandone un arresto improvviso.	Ruotare la chiave in posizione OFF e attendere più di 5 secondi prima di riavviare la macchina.
	Il regolatore del motore non funziona correttamente.	Controllare il codice di errore che appare sul display.
Il tosaerba taglia l'erba in modo irregolare e la differenza di altezza è notevole.	La lama è smussata.	Lucidare la lama come indicato nel manuale.
	La lama è piegata.	Sostituire la lama piegata, sostituire la lama secondo le istruzioni e indossare indumenti protettivi.
	Il piatto di taglio non è piatto.	Appiattire il piatto di taglio secondo le istruzioni per garantire che le altezze sinistra e destra siano uguali.
L'altezza di taglio effettiva non corrisponde all'altezza di taglio selezionata.	Allentare i bulloni di fissaggio del ponte.	Regolare i bulloni di fissaggio del piatto per assicurarsi che lo stesso sia installato saldamente. Nota: il piatto deve essere messo nuovamente a livello dopo aver regolato i bulloni di montaggio.
	Il piatto è usurato o è stato seriamente danneggiato.	Sostituire il piatto.
Operazione anomala veicolo	Il prato è troppo bagnato.	Prima di avviare le operazioni, controllare le condizioni dell'erba. Se l'erba è troppo bagnata, attendere che si asciughi al vento o al sole, attendere che la rugiada del prato si dissolva prima di procedere.
	Il tosaerba è impostato per tagliare troppa erba in una sola volta.	Se l'erba è troppo fitta e alta, sollevare il piatto ed evitare il più possibile di tagliare l'erba fitta.
Eccessiva vibrazione della macchina	Le lame si sono allentate.	Lucidare la lama secondo il metodo descritto nel manuale.
	Le lame sono piegate.	Sostituire la lama piegata, prestando attenzione alla corretta sostituzione della lama secondo le istruzioni e indossando guanti protettivi.
	Piatto irregolare.	Appiattire il piatto di taglio secondo le istruzioni per garantire che le altezze sinistra e destra siano uguali.
	Allentare il piatto.	Bloccare i bulloni fissi del piatto.
	Il tosaerba è impostato per tagliare troppa erba in una sola volta.	Se l'erba è troppo fitta e alta, sollevare il piatto, cercando di evitare di tagliare l'erba fitta.
Foglie o detriti lasciati sul terreno dopo la falciatura.	Il tosaerba è impostato per tagliare troppa erba in una sola volta.	Se l'erba è troppo densa e alta, sollevare il piatto, se l'erba è più alta di 15 cm, utilizzare due cicli di taglio per ottenere il risultato desiderato, cercando di evitare di tagliare l'erba fitta.
	L'erba è troppo bagnata.	Si raccomanda di controllare le condizioni dell'erba prima della falciatura; se l'erba è troppo bagnata, attendere che si asciughi al vento o al sole, e attendere che la rugiada del prato si dissolva prima di falciare.
	La velocità di guida è troppo elevata.	Diminuire la velocità di guida.



PROBLEMA	POSSIBILE CAUSA	SOLUZIONE
	La velocità di taglio della lama è troppo bassa.	Aumentare il livello di velocità della lama.
Breve durata del taglio	La falciatura di erba fitta può causare una breve durata della falciatura.	Il sollevamento del piatto o la diminuzione di velocità della lama possono aumentare il tempo di utilizzo del tosaerba con una sola carica.
Il tosaerba tende a "scappare"	Diversa pressione degli pneumatici	Controllare regolarmente la pressione degli pneumatici posteriori del tosaerba come indicato nel manuale.
Il veicolo non si avvia dopo il lavaggio.	Pulizia impropria, come acqua nello schermo LED, nel vano batteria e in altri componenti elettronici.	<ol style="list-style-type: none"> <li>1. Si prega di seguire le istruzioni per la pulizia della macchina.</li> <li>2. Se il veicolo viene accidentalmente bagnato a fondo, metterlo in un luogo asciutto per 12ore o asciugarlo prima dell'uso.</li> <li>3. Contattare il personale Cramer addetto al servizio post vendita.</li> </ol>
Il tosaerba è bloccato.	Erbacce e rifiuti ammucchiati sul piatto.	Si prega di seguire le istruzioni per la pulizia della macchina ogni volta che si utilizza la stessa.
In posizione di stazionamento, la macchina scivola rapidamente sul pendio e sbanda.	Grave usura degli pneumatici.	Contattare il personale post-vendita per la sostituzione degli pneumatici.
	Il freno elettromagnetico è danneggiato o molto usurato.	Contattare il personale post-vendita per la sostituzione del freno elettromagnetico.
	Il freno elettromagnetico si sblocca manualmente.	Controllare il freno elettromagnetico e riportarlo nella posizione iniziale.

## 10 SPECIFICHE TECNICHE

<b>Modello</b>	<b>82LT107</b>
Tensione	82 V
Peso lordo del veicolo	106±3 kg
Lunghezza	170 cm
Altezza	117 cm
Larghezza (con scarico)	135 cm
Larghezza (senza scarico)	107 cm
Larghezza piatto	107 cm
Velocità di avanzamento	0-8 mph
Velocità in retromarcia	0-3 mph
Gamma di altezza taglio	3.81-11.4 cm
Livelli di regolazione dell'altezza di taglio	7 pezzi
Velocità a vuoto	2400/3000/3200 RPM
Tempo di ricarica	4 h (con caricatore ad8 ampere)
Potenza motore	1.2 kW (motore lame) 1.2 (Motore di azionamento)
MAX gestione pendenze	15°
Numero di lame (scarico/pacciamme)	2 pezzi
Livello di pressione sonora misurato	$L_{pA} = 84.77 \text{ dB(A)}$ , $K_{pA} = 3 \text{ dB(A)}$
Livello di potenza sonora misurato	$L_{wA} = 98.24 \text{ dB(A)}$
Livello di potenza sonora garantito	$L_{wA,d} = 100 \text{ dB(A)}$
Vibrazioni	Bracci: $\leq 2.5 \text{ m/s}^2$ , $K = 1.5 \text{ m/s}^2$ Struttura principale: $\leq 2.5 \text{ m/s}^2$ , $K = 1.5 \text{ m/s}^2$

## 11 GARANZIA LIMITATA

### 11.1 CHE COSA È COPERTO DA QUESTA GARANZIA

Cramer fornisce la seguente garanzia solo all'acquirente originale ("Proprietario") - la garanzia non è trasferibile:

**A. Uso residenziale:** I prodotti Cramer usati per normali scopi privati\* sono garantiti per cinque (5) anni o 1500 ore di utilizzo totale (la condizione che si verifica per prima tra le due) dalla data di acquisto contro ogni difetto di materiale o fabbricazione del telaio, del piatto di taglio e delle batterie. I prodotti di consumo come gli pneumatici e le batterie sono garantiti per trenta (30) giorni dalla data di acquisto. Se il Proprietario rileva un difetto di materiale o fabbricazione entro il periodo di validità della garanzia:

- Il proprietario deve informare tempestivamente Cramer o un rivenditore autorizzato per iscritto, telefonicamente, di persona o tramite e-mail o app. Tale comunicazione deve essere ricevuta da Cramer o dal rivenditore autorizzato entro cinque (5) anni dalla data d'acquisto.
- Entro un lasso di tempo ragionevole dalla comunicazione e dalla verifica del difetto, Cramer correggerà il difetto di materiale o di fabbricazione del prodotto Cramer, riparando o sostituendo i componenti, a sua discrezione, con parti di ricambio nuove o usate.
- Tali riparazioni, materiale e manodopera inclusi, sono a carico di Cramer e sono fornite esclusivamente al Proprietario originale.

**B. Uso commerciale:** I prodotti Cramer usati per scopi commerciali e istituzionali sono garantiti per cinque (5) anni o 1500 ore di utilizzo totale (la condizione che si verifica per prima tra le due) dalla data di acquisto contro ogni difetto di materiale o fabbricazione del telaio, del piatto di taglio e delle batterie. I prodotti di consumo (compresi, a titolo esemplificativo e non esaustivo, pneumatici e batterie) sono garantiti per trenta (30) giorni dalla data di acquisto. Se il Proprietario rileva un difetto di materiale o fabbricazione entro il periodo di validità della garanzia:

- Il proprietario deve informare tempestivamente Cramer o un rivenditore autorizzato per iscritto, telefonicamente, di persona o tramite e-mail o app. Tale comunicazione deve essere ricevuta da Cramer o dal rivenditore autorizzato entro cinque (5) anni dalla data d'acquisto.
- Entro un lasso di tempo ragionevole dalla comunicazione e dalla verifica del difetto, Cramer correggerà il difetto di materiale o di fabbricazione del prodotto Cramer, riparando o sostituendo il/i componente/i, a sua discrezione, con parti di ricambio nuove o usate.
- Tali riparazioni, materiale e manodopera inclusi, sono a carico di Cramer e sono fornite esclusivamente al Proprietario originale (di natura commerciale).

## i NOTA

Se le batterie non vengono sottoposte a una corretta manutenzione e non vengono ricaricate completamente, la loro durata di servizio sarà ridotta e la garanzia della batteria sarà annullata. Le clausole della presente garanzia limitata non si applicano a danni dovuti a:

- Abuso o negligenza, ad esempio danni causati dall'acqua, collegamenti allentati o dispositivi di fissaggio arrugginiti o corrosi.
- Mancanza di manutenzione; danni dovuti all'installazione scorretta della batteria; negligenza, rottura, esposizione a temperature estreme come, a titolo esemplificativo e non esaustivo, temperature sottozero, temperature elevate, prossimità di fonti di calore tra cui radiatori o fiamme, esposizione all'acqua o ad altre sostanze, utilizzo della batteria quando è sovraccarica o scarica.
- Batterie ricaricate con dispositivi diversi dal caricabatteria originale.

**Nota a piè:** *\*" Nel presente documento, per "normali scopi privati" si intende l'uso del Prodotto sulla propria proprietà dell'acquirente. L'uso in più luoghi è considerato uso commerciale, per il quale si applica la garanzia per l'uso commerciale.*

## 11.2 A CHI AFFIDARE GLI INTERVENTI IN GARANZIA

Tutti gli interventi in garanzia devono essere effettuati da un rivenditore Cramer autorizzato o un tecnico Cramer autorizzato. I costi relativi alle chiamate al centro di assistenza e/o al trasporto del prodotto da e verso il rivenditore autorizzato per gli interventi in garanzia sono a carico del proprietario del prodotto. Per richiedere un intervento in garanzia, rivolgersi a un rivenditore autorizzato.

## 11.3 CHE COSA NON È COPERTO DA QUESTA GARANZIA

Cramer non applica la garanzie nelle seguenti circostanze:

- Riparazioni effettuate da persone non autorizzate.
- Danni causati dall'uso del prodotto Cramer per scopi diversi da quelli per cui è progettato.
- Danni causati da disastri naturali come incendi, inondazioni, vento e fulmini.
- Danni causati da negligenza, abuso, uso anomalo, improprio o irragionevole, incidenti o danni causati dall'acqua.
- Danni causati dall'uso di parti, accessori o componenti non autorizzati.
- Riparazioni o sostituzioni come risultato di eventuali alterazioni o modifiche, a sola discrezione di Cramer, che influisca negativamente sul funzionamento, sulle prestazioni o sulla durata dell'apparecchiatura.
- Prodotti, componenti o parti non fabbricati da Cramer.
- Prodotti con dati di identificazione alterati come, a titolo esemplificativo e non esaustivo, numeri di serie rimossi e/o resi illeggibili.
- Deprezzamento o danni causati da normale usura, mancanza di manutenzione ragionevole e adeguata, mancata osservanza del manuale del proprietario del prodotto, delle istruzioni di funzionamento, manutenzione e regolazione o di altre istruzioni operative fornite da Cramer.
- Parti per la normale manutenzione e assistenza, ad includere, a titolo informativo ma non esaustivo, lubrificanti, parti di messa a punto, lame, affilatura delle lame, cuscinetti, regolazioni dei freni o dello sterzo.
- Prodotti con programmazione non approvata per quel prodotto, comprese modifiche a parametri, programmazioni o regolazioni postvendita o qualsiasi modifica non approvata a componenti, elettronica o software.

## 11.4 ESCLUSIONE DI GARANZIA

La presente garanzia sostituisce qualsiasi altra garanzia, esplicita o implicita, tra cui garanzie implicite di commerciabilità e idoneità per finalità particolari. Tuttavia, se il Prodotto Cramer è stato acquistato come prodotto di consumo, eventuali garanzie implicite di commerciabilità e idoneità per finalità particolari sono limitate alla durata della presente garanzia limitata. Poiché alcuni Paesi non consentono limitazioni alla durata di una garanzia implicita, le limitazioni sopra riportate potrebbero non essere applicabili. La presente garanzia conferisce diritti legali specifici al consumatore, che potrebbe godere anche di altri diritti a seconda del Paese.

IT

## 11.5 LIMITAZIONE DEI RIMEDI

In nessun caso Cramer può essere ritenuta responsabile per eventuali danni speciali, incidentali o consequenziali in caso di violazione della garanzia, violazione del contratto, negligenza, responsabilità oggettiva o qualsiasi altra teoria giuridica. Tra tali danni si annoverano, a titolo informativo ma non esaustivo:

- Perdita di profitto
- Perdita di risparmi o entrate
- Perdita dell'utilizzo del Prodotto Cramer o di qualsiasi apparecchiatura associata
- Costo del capitale
- Costo di qualsiasi attrezzatura, struttura, servizio o tempo di inattività sostitutivi
- Le pretese di terzi, compresi i clienti, e danni alla proprietà

## 11.6 PERIODO DI VALIDITÀ

Salvo diversamente stabilito dalle leggi nazionali:

Qualsiasi azione relativa alla violazione della garanzia deve essere inoltrata da cinque (5) anni o sessanta (60) mesi dalla data di acquisto in caso di uso residenziale e/o commerciale.

Se la data di fabbricazione precede di un lasso di tempo ragionevole l'acquisto da parte del consumatore originale, la garanzia Cramer potrebbe essere soggetta ad ulteriori limitazioni.

## 11.7 ALTRE GARANZIE

Il presente accordo è inteso come accordo completo ed esclusivo tra le parti, e sostituisce eventuali accordi precedenti, orali o scritti, e qualsiasi altra comunicazione tra le parti relativamente all'oggetto di questo accordo.

## 11.8 RESPONSABILITÀ DEL PROPRIETARIO

È necessario mantenere il Prodotto Cramer seguendo le procedure di manutenzione descritte nel manuale dell'utente. I costi di tali operazioni di manutenzione periodica, effettuate dal rivenditore o dal consumatore, sono a carico del Proprietario.

Questa macchina, come qualsiasi altro apparecchio alimentato elettricamente, è potenzialmente pericoloso se non viene utilizzato correttamente. Tutti gli operatori devono usare il prodotto con attenzione nel rispetto delle norme di sicurezza. Prima di far uso del Prodotto Cramer tutti gli operatori devono familiarizzarsi con le istruzioni per l'uso e la sicurezza della macchina riportate nel manuale, e con le avvertenze di sicurezza riportate sulla macchina stessa.

## 11.9 ALLOCAZIONE DEI RISCHI

Il presente accordo ripartisce i rischi di malfunzionamento del prodotto tra Cramer e il Proprietario. Tale allocazione è riconosciuta da entrambi le parti e si riflette nel prezzo dei beni.

## 11.10 REGISTRAZIONE DELLA GARANZIA

Salvo diversamente stabilito dalle leggi nazionali:

1. I proprietari devono registrare la macchina presso Cramer entro dieci (10) giorni dalla data di acquisto.
2. La registrazione può essere completata compilando il modulo di registrazione della garanzia fornito nel manuale dell'operatore.
3. La registrazione può essere completata anche utilizzando i moduli online [sucramertools.com](http://sucramertools.com) o utilizzando l'app e fornendo la prova di acquisto (scontrino con data di acquisto).

**12 DICHIARAZIONE DI CONFORMITÀ CE**

Nome e indirizzo del fabbricante:

Nome: Greenworks Tools Europe GmbH  
Indirizzo: Brunnenweg 17, 64331 Weiterstadt, Germania

Nome e indirizzo della persona autorizzata a compilare il fascicolo tecnico:

Nome: Ralf Pankalla  
Indirizzo: Brunnenweg 17, 64331 Weiterstadt, Germania

Con la presente si dichiara che il prodotto

Categoria: Trattorino tosaerba  
Modello: 82LT107  
Numero di serie: Vedere l'etichetta nominale del prodotto  
Anno di fabbricazione: Vedere l'etichetta nominale del prodotto

- è conforme ai requisiti pertinenti della direttiva Macchine 2006/42/CE.
- è conforme ai requisiti delle seguenti direttive europee:
  - 2014/30/UE
  - 2011/65/UE & (UE)2015/863

Inoltre, si dichiara di aver utilizzato i seguenti (parti/clausole degli) standard armonizzati europei:

- EN 62841-1, EN ISO 5395-1, EN ISO 5395-3, EN ISO 14982, IEC 62321-3-1, IEC 62321-4, IEC 62321-5, IEC 62321-6, IEC 62321-7-1, IEC 62321-7-2, IEC 62321-8

Luogo, data: 11.11.2022

Firma: Ted Qu, Direttore Qualità



<b>1</b>	<b>Description.....</b>	<b>103</b>			
1.1	Aperçu.....	103	7.4	Lubrification.....	116
1.2	Panneau de commande.....	103	7.5	Valeurs de couple.....	116
<b>2</b>	<b>Déballage de la machine.....</b>	<b>104</b>	7.6	Maintenance de pack-batterie.....	116
<b>3</b>	<b>Installation.....</b>	<b>104</b>	7.7	Maintenance de filtre de compartiment de batterie.....	117
3.1	Installation du siège.....	104	7.8	Entretien.....	117
3.2	Installation du volant.....	104	<b>8</b>	<b>Transport et stockage.....</b>	<b>118</b>
3.3	Installation du cache de mulching.....	105	8.1	Transport.....	118
3.4	Roues anti-scalping.....	105	8.2	Nettoyage et stockage.....	118
3.5	Utilisation de l'app.....	105	<b>9</b>	<b>Dépannage.....</b>	<b>121</b>
<b>4</b>	<b>Instructions d'utilisation.....</b>	<b>105</b>	<b>10</b>	<b>Données techniques.....</b>	<b>124</b>
4.1	Avant le travail.....	105	<b>11</b>	<b>Garantie limitée.....</b>	<b>124</b>
4.2	Utilisation de la machine.....	107	11.1	Couverture de cette garantie.....	124
<b>5</b>	<b>Système électrique.....</b>	<b>109</b>	11.2	Exécution de l'entretien sous garantie....	125
5.1	Sécurité du système électrique.....	109	11.3	Exclusions de cette garantie.....	125
5.2	Informations du système électrique.....	110	11.4	Exonération de garantie.....	126
5.3	Affichage numérique.....	110	11.5	Limitation des recours.....	126
<b>6</b>	<b>Erreurs.....</b>	<b>111</b>	11.6	Limite temporelle.....	126
6.1	Code d'erreur.....	112	11.7	Aucune autre garantie.....	126
<b>7</b>	<b>Maintenance.....</b>	<b>114</b>	11.8	Responsabilité du propriétaire.....	126
7.1	Maintenance de lame de tondeuse.....	114	11.9	Assignment des risques.....	126
7.2	Remplacement de phare.....	115	11.10	Enregistrement de la garantie.....	126
7.3	Pneus.....	115	<b>12</b>	<b>Déclaration de conformité CE</b>	<b>127</b>

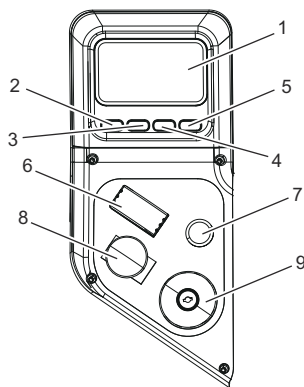
## 1 DESCRIPTION

### 1.1 APERÇU

Voir fiche de figure à part 1-20

- |   |   |
|---|---|
| <p>1 Levier d'ajustement de siège</p> <p>2 Déflecteur d'herbe latérale</p> <p>3 Pédale de frein</p> <p>4 Panneau de commande</p> <p>5 Levier d'ajustement de hauteur de carter</p> <p>6 Pédale d'accélérateur</p> <p>7 Poignée de frein de stationnement</p> <p>8 Phares</p> <p>9 Porte-gobelet</p> <p>10 Port USB</p> <p>11 Roues anti-scalping</p> <p>12 Panneau de siège</p> <p>13 Fiche de sécurité de siège</p> <p>14 Arbre de direction</p> <p>15 Coupleur</p> <p>16 Colonne de direction</p> | <p>17 Volant</p> <p>18 Plaque de capot</p> <p>19 Cache de mulching</p> <p>20 Bague de roulement</p> <p>21 Attaches de fixation</p> <p>22 Numéro de série</p> <p>23 Code d'appariement</p> <p>24 Code QR</p> <p>25 Compartiment de batterie</p> <p>26 Batterie</p> <p>27 Loquet de batterie</p> <p>28 Lame</p> <p>29 Port de remplissage d'huile</p> <p>30 Sortie de purge d'huile</p> <p>31 Flexible de jardin</p> <p>32 Accouplement rapide</p> <p>33 Port de lavage</p> |
|---|---|

### 1.2 PANNEAU DE COMMANDE



#	Nom	Fonction
1	Affichage numérique	Cet affichage offre des informations importantes sur le système électrique. Référez-vous à la section Électrique pour des informations complètes.
2	Commande de régime moteur de lame / Retour	Ajustez la vitesse de lame (cyclique) sur la page d'accueil. Appuyez sur le bouton pour revenir à la page précédente.
3	Navigation de menu / Page haut	Allez à la dernière page de l'affichage numérique. Revenez à l'écran d'accueil.
4	Interrupteur de lampe / Page bas	Allumez /éteignez les lampes une fois sur la page d'accueil. Allez à la page suivante de l'affichage numérique.
5	Bouton de régulateur / Confirmer	Appuyez sans relâcher plus de 0,4 s pour activer la fonction de régulateur puis appuyez sur le bouton pour confirmer.
6	Interrupteur de sens	Le sens du mouvement de la tondeuse est commandé avec l'interrupteur de sens. Les réglages disponibles sont Conduite (D), Neutre (N) et Marche arrière (R).
7	Bouton de tonte en marche arrière	Pour la coupe en marche arrière, le bouton de tonte en marche arrière doit être activé.
8	Interrupteur d'alimentation	L'interrupteur sert à allumer /éteindre la tondeuse. La clé de contact doit être insérée avant que l'interrupteur ne puisse être utilisé.
9	Interrupteur marche/arrêt des lames de carter (PDF)	Cet interrupteur engage les moteurs de lames. Levez l'interrupteur pour engager les lames et baissez-le pour les stopper.

#### i IMPORTANT

N'engagez jamais les moteurs de lames si le carter est chargé. Les moteurs ou le carter pourraient s'endommager.

## 2 DÉBALLAGE DE LA MACHINE

### ▲ AVERTISSEMENT

Assurez-vous d'assembler correctement la machine avant son usage.

### ▲ AVERTISSEMENT

- Si des pièces de la machine sont endommagées, n'utilisez pas la machine.
- Si des pièces sont manquantes, n'utilisez pas la machine.
- Si des pièces sont endommagées ou manquantes, contactez le centre d'entretien.

1. Ouvrez l'emballage.
2. Lisez la documentation fournie dans la boîte.
3. Retirez toutes les pièces non-assemblées de la boîte.
4. Retirez la machine de la boîte.
5. Mettez la boîte et le matériau d'emballage au rebut dans le respect de la réglementation locale.

### ▲ AVERTISSEMENT

Pour votre sécurité personnelle, n'insérez pas la batterie avant que l'outil ne soit assemblé complètement.

## 3 INSTALLATION

### 3.1 INSTALLATION DU SIÈGE

Voir figure 3

1. Placez l'assemblage de siège sur le panneau de siège et alignez les orifices comme illustré.
2. Installez les boulons, rondelles et écrous et serrez fermement.
3. Fixez les manchons sur les écrous.
4. Assurez-vous de l'assise en toute sécurité.
5. Connectez la fiche de sécurité de siège à la machine.

### 3.2 INSTALLATION DU VOLANT

Voir figure 4-5

### i REMARQUE

Assurez-vous que les fentes font face au siège.

1. Installez l'arbre de direction dans le coupleur, en tournant selon les besoins pour aligner l'orifice dans l'arbre avec l'orifice de boulon dans le coupleur.
2. Installez deux boulons et serrez fermement.

### i REMARQUE

Serrez les boulons à la valeur indiquée.

3. Installez la colonne de direction. Notez les languettes au fond de la colonne de direction qui s'ajustent dans les orifices de l'ouverture et assurez-vous que la colonne de direction est fermement en place.
4. Assurez-vous que la roue de la tondeuse est dirigée tout droit en avant puis installez le volant en forçant sur la colonne de direction.
5. Installez le boulon et la rondelle et serrez fermement.
6. Retirez la plaque de cache du volant.



## 3.3 INSTALLATION DU CACHE DE MULCHING

Voir figure 6

À l'expédition, la tondeuse est configurée pour une décharge latérale. Pour le mulching :

1. Placez le cache de mulching sur la languette du carter de tondeuse.
2. Alignez les orifices du cache de mulching et ceux du carter de tondeuse.
3. Installez et serrez les boulons, vis, attaches de fixation et bague de roulement comme illustré.

## 3.4 ROUES ANTI-SCALPING

Voir figure 2

Des kits de roues anti-scalping sont fournis en série sur les unités Cramer. Ces roues anti-scalping sont pensées pour minimiser le scalpage en cas de tonte sur un terrain grossier ou irrégulier. Après le réglage de la hauteur de coupe, ajustez les roues anti-scalping de sorte à les étendre sous le carter mais sans toucher le sol. Elles devraient systématiquement se trouver au moins 0,6 cm à 1,9 cm sous le carter. Avec l'unité reposant sur une surface plane de niveau, la position des roues peut être ajustée (haut ou bas) si nécessaire entre 1,9 cm et 4,4 cm sous la surface de lame. Montez ou descendez les roues en utilisant les différents orifices de support d'essieu dans le support de montage des roues (selon le modèle).

## 3.5 UTILISATION DE L'APP

Voir figure 7-8

1. Visitez le site Web de Fleet Management : [fleet.cramertools.com](http://fleet.cramertools.com)
2. Créez un compte puis connectez-vous.
3. Invitez d'autres utilisateurs de votre organisation.
4. Scannez le code QR, téléchargez l'app et connectez-vous.
5. Ajoutez un dispositif. Trouvez le numéro de série, le code d'appariement et le code QR sur l'étiquette d'appariement du véhicule dans ce manuel. Scannez le code QR ou saisissez-le manuellement.

## 4 INSTRUCTIONS D'UTILISATION

### 4.1 AVANT LE TRAVAIL

#### 4.1.1 AJUSTEMENT DU SIÈGE

Voir figure 9

Ajustez la position du siège pour vous assurer d'un contact ferme avec les pédales d'accélérateur et de frein avant d'utiliser la tondeuse.

1. Asseyez-vous sur le siège et levez le levier d'ajustement de siège.
2. Tout en maintenant le levier, glissez le siège sur la position souhaitée.
3. Relâchez le levier et assurez-vous que le siège est verrouillé en position avant d'utiliser la tondeuse.

### ▲ AVERTISSEMENT

Assurez-vous que le siège est verrouillé en place avant d'utiliser la tondeuse. Un siège qui n'est pas fixé risque de laisser glisser l'opérateur et de lui faire perdre le contrôle de la tondeuse, occasionnant de possibles blessures graves, voire mortelles.

#### 4.1.2 AJUSTEMENT DE HAUTEUR DE COUPE DE CARTER

Voir figure 10

Avant d'utiliser la tondeuse, levez la hauteur du carter sur la position de coupe la mieux adaptée à votre pelouse.

La hauteur du plateau de coupe est réglable depuis 3.81-11.4 cm. Le carter devrait être levé pendant la tonte pour éviter les souches, pierres et autres obstacles susceptibles d'endommager le carter de tondeuse.

## ▲ AVERTISSEMENT

Maintenez fermement le levier d'ajustement de hauteur de carter pour régler la hauteur de carter et relâchez-le uniquement quand il est fixé dans la fente souhaitée. En relâchant rapidement le levier, vous pourriez créer un risque de pincement ou de traction sur la main de l'opérateur.

1. Arrêtez la tondeuse et dégagez les lames.
2. Positionnez la clé sur OFF et serrez le frein de stationnement.
3. Pour lever le carter de coupe, saisissez le levier d'ajustement de hauteur de carter, poussez vers la gauche pour le dégager de la fente, déplacez-le vers l'arrière de la tondeuse puis poussez à droite dans la fente pour le fixer.
4. Pour baisser le carter de coupe, saisissez le levier d'ajustement de hauteur de carter, poussez vers la gauche pour le dégager de la fente, déplacez-le vers l'avant de la tondeuse puis poussez à droite dans la fente pour le fixer.

### 4.1.3 INSTALLATION DE LA BATTERIE

Voir figure 11

Pour vous assurer que les batteries sont chargées à fond, vérifiez l'indicateur de niveau de batterie. Voir le manuel de la batterie pour en savoir plus.

1. Levez le panneau de siège.
2. Levez le cache du compartiment de batterie.
3. Installez le pack-batterie dans le compartiment de batterie.

## ▲ AVERTISSEMENT

Alignez les nervures de la batterie avec le port de batterie. Assurez-vous que le loquet de batterie s'enclenche avec fluidité dans le compartiment de batterie.

### 4.1.4 AVANT D'UTILISER LA MACHINE

- Assurez-vous qu'aucun enfant, passant ou animal de compagnie ne se trouve dans la zone de travail.
- Dégagez la zone de travail des objets pouvant être projetés par les lames de tondeuse.
- Vérifiez le fonctionnement du frein.
- Vérifiez la pression des pneus.
- Vérifiez si des fixations sont desserrées.
- Assurez-vous que toutes les protections sont en place et fonctionnent correctement.
- Nettoyez les débris de la tondeuse.
- Testez le système de verrouillage de démarrage de sécurité.
- Ajustez le siège sur la position souhaitée.
- Vérifiez le niveau de charge de batterie.

### 4.1.5 SYSTÈME DE VERROUILLAGE DE DÉMARRAGE DE SÉCURITÉ

Voir figure 12

Cette tondeuse bénéficie d'un système de verrouillage de démarrage de sécurité pour protéger l'opérateur en arrêtant les lames si l'opérateur abandonne son siège avec les lames en marche. Testez le système avant chaque usage pour vous assurer de son fonctionnement correct.

1. Assurez-vous que l'interrupteur de sens est sur la position Neutre (N) et que l'interrupteur PDF est abaissé.
2. Insérez la clé de contact et positionnez-la sur ON.
3. Desserrez le frein de stationnement.
4. Levez l'interrupteur PDF pour activer les lames.
5. Levez-vous brièvement du siège mais ne descendez pas de la tondeuse.

Les lames devraient s'arrêter dans les 5 secondes. Dans le cas contraire, contactez le service clientèle. N'utilisez pas la tondeuse avant que le système de verrouillage de démarrage de sécurité ne soit réparé.

## 4.2 UTILISATION DE LA MACHINE

### 4.2.1 DÉMARRAGE DE LA MACHINE

#### **i** REMARQUE

Faites sortir les passants de la zone avant d'utiliser la tondeuse. Si quiconque entre dans la zone de tonte, arrêtez immédiatement et ne reprenez pas la tonte tant que les passants ne sont pas sortis de la zone.

1. Levez le carter de tondeuse sur la position la plus élevée.
2. Insérez la clé de contact et positionnez-la sur ON.
3. Positionnez l'interrupteur de sens sur Neutre (N).
4. Desserrez le frein de stationnement.
5. Tirez vers le haut l'interrupteur PDF de carter afin de démarrer les lames de coupe pour la tonte.
6. Positionnez l'interrupteur de sens sur Conduite (D) et conduisez jusqu'à l'emplacement de tonte souhaité.

#### **i** REMARQUE

Soyez prudent en traversant les allées et chemins en gravier. Avant de traverser, dégagez les lames et levez le carter de coupe sur la position la plus élevée afin de minimiser la possibilité de ricochet. Conduisez lentement pour éviter une perte de contrôle et de traction.

#### **i** REMARQUE

Ne tentez pas de changer de direction de fonctionnement pendant que la tondeuse est en mouvement. Arrêtez-vous toujours complètement avant de changer de direction avec la tondeuse.

### 4.2.2 ACTIVATION DU RÉGULATEUR

1. Si vous conduisez en marche avant, appuyez sur la pédale d'accélérateur jusqu'à atteindre le niveau de vitesse souhaité.
2. Appuyez sur le bouton de régulateur sans le relâcher plus de 0,4 s.
3. Relâchez la pression sur la pédale d'accélérateur. La vitesse de la tondeuse devrait demeurer constante.

### 4.2.3 DÉSACTIVATION DU RÉGULATEUR

1. Touchez la pédale d'accélérateur et enfoncez la pédale de frein.

### 4.2.4 SERRAGE DU FREIN DE STATIONNEMENT

1. Enfoncez à fond la pédale de frein sans la relâcher.
2. Tirez la poignée de frein de stationnement vers le haut sans la relâcher.
3. Relâchez la pédale de frein.
4. Desserrez la poignée de frein de stationnement.

#### **▲** AVERTISSEMENT

Ne laissez jamais la tondeuse sans surveillance avec le moteur en marche. Vérifiez que le frein de stationnement est serré et que la clé est retirée. Le fait de ne pas serrer le frein de stationnement pourrait entraîner un mouvement de la tondeuse et le fait de laisser la clé pourrait permettre un usage sans autorisation susceptible de causer des blessures graves.

### 4.2.5 DESSERRAGE DU FREIN DE STATIONNEMENT

1. Enfoncez la pédale de frein pour desserrer le frein de stationnement.

### 4.2.6 ARRÊT DE LA MACHINE

1. Arrêtez la tondeuse sur une surface plane et de niveau.
2. Serrez le frein de stationnement.
3. Enfoncez l'interrupteur PDF vers le bas pour arrêter les lames.

4. Positionnez la clé sur OFF.

## 4.2.7 FONCTIONNEMENT EN MODE MARCHÉ ARRIÈRE

Voir figure 13

- Enfoncez la pédale de frein et arrêtez complètement la tondeuse.
- Enfoncez l'interrupteur PDF vers le bas pour arrêter les lames.
- Positionnez l'interrupteur de sens sur Marche arrière (R).
- Appuyez sur le bouton de tonte en marche arrière.
- Levez l'interrupteur PDF, enfoncez lentement la pédale d'accélérateur et tondez en marche arrière, selon les besoins.

### ▲ AVERTISSEMENT

Ne tondez pas en marche arrière sauf si c'est absolument nécessaire. Regardez systématiquement vers le bas et en arrière avant de reculer pour vous assurer qu'aucun enfant, passant ou animal de compagnie n'entre dans la zone de tonte. N'oubliez pas : une fraction de seconde d'inattention suffit à infliger des blessures graves, voire mortelles.

### ▲ AVERTISSEMENT

Soyez spécialement prudent avant et pendant la marche arrière avec le kit ensacheur (non fourni) installé car il peut entraver la visibilité. Regardez systématiquement en arrière et vers le bas pour identifier les enfants en bas âge, les passants et les animaux de compagnie et déplacez-vous lentement avec la tondeuse pour éviter les accidents de recul susceptibles de causer des blessures graves, voire mortelles.

## 4.2.8 UTILISATION DU PORT USB

Voir figure 14

Le port de charge USB offre une puissance de charge de 5 Volts CC jusqu'à 2,1 A pour votre portable, lecteur MP3 ou autre dispositif USB. Consultez le manuel du propriétaire de votre dispositif pour les exigences de charge spécifiques.

Connectez un bout du câble USB (non fourni) à votre dispositif et l'autre bout au port de charge USB sur la tondeuse pour débiter la charge de votre dispositif.

### i REMARQUE

Une tentative de charger des dispositifs présentant un nominal supérieur à 2,1 A risque d'endommager le port de charge USB ou la tondeuse.

### i REMARQUE

Le port USB est alimenté uniquement quand la machine est démarrée.

### ▲ AVERTISSEMENT

N'utilisez jamais d'écouteurs ou un quelconque dispositif électronique, comme un smartphone ou une tablette, en utilisant la tondeuse. Un travail distrait peut provoquer un accident susceptible de causer des blessures graves, voire mortelles, pour l'opérateur comme les passants.

## 4.2.9 CONSEILS D'UTILISATION

Voir figure 15

- Maintenez les lames de tondeuse affûtées.
- Assurez-vous que le gazon est débarrassé des pierres, bâtons, fils, jouets, noix, branches et autres objets susceptibles d'endommager le moteur ou les lames de tondeuse. Ne tondez pas sur les piquets de la propriété ou autres montants métalliques. Ces objets pourraient endommager la lame ou être accidentellement projetés par la tondeuse dans une direction imprévisible et causer des blessures graves à l'opérateur et à autrui.
- Pour un gazon en bon état, coupez systématiquement un tiers ou moins de la longueur totale de l'herbe.

- Pour tondre de grands espaces, commencez en virant à droite de sorte que les coupures se déchargent à l'écart des arbustes, barrières, allées, etc. Après un ou deux tours, tondez en sens opposé en effectuant des virages à gauche jusqu'à ce que vous terminiez.
- Tondez de sorte que les coupures déchargées sortent en direction de la zone de gazon déjà tondu.
- Si vous coupez une herbe dense, ralentissez pour assurer une coupe plus efficace et une décharge appropriée des coupures.
- **Durant la tonte normale**, coupez uniquement environ 38mm (1,5") des brins d'herbe. Une coupe supérieure n'est pas recommandée sauf si l'herbe est éparse ou à la fin de la saison de tonte.
- Ne coupez pas l'herbe mouillée. Elle va adhérer au soubassement du carter et empêcher un ensachage ou un mulching correct des coupures d'herbe.
- L'herbe jeune ou épaisse peut nécessiter une coupe plus étroite ou une hauteur de coupe supérieure.
- Préservez la propreté de la rampe de décharge latérale et du carter de tondeuse. Retirez les coupures d'herbe, feuilles, saletés et autres débris accumulés avant et après chaque usage. N'arrosez pas avec un flexible de jardin pour nettoyer.

## i REMARQUE

Arrêtez systématiquement la tondeuse, laissez les lames s'arrêter complètement et retirez la clé de contact avant de nettoyer sous la tondeuse.

### 4.2.10 TRAVAIL EN PENTE

Voir figure 16

Les pentes sont un facteur majeur de perte de contrôle et d'accidents de basculement, sources de blessures graves, voire mortelles. Le travail en pente exige un surcroît de précaution. Si vous n'arrivez pas à reculer sur la pente ou si vous ne vous ne sentez à l'aise pour le faire, ne la tondez pas.

- En pente, déplacez-vous dans le sens recommandé par le fabricant. Soyez prudent pour travailler à proximité des pentes prononcées.
- N'utilisez pas la machine sous une quelconque condition où la traction, la direction ou la stabilité est en question. Les pneus pourraient glisser même avec les roues à l'arrêt.
- Maintenez systématiquement la machine avec une vitesse enclenchée pour descendre une pente. Ne descendez pas une pente en roue libre.
- Tondez les pentes en montée et en descente, pas transversalement.
- Faites attention aux trous, ornières, bosses, pierres ou autres objets masqués. Un terrain irrégulier risque de faire se retourner la machine. Les herbes hautes peuvent masquer les obstacles.
- Ne tondez pas à proximité des ravins, fossés ou remblais. La machine pourrait se retourner soudainement si une roue passe le bord du ravin, voire si un rebord cède.
- Choisissez une vitesse lente afin de ne pas avoir à vous arrêter ni à changer de vitesse en pente.
- Ne tondez pas sur une herbe humide. Les pneus risquent de perdre leur traction.
- Évitez les démarrages, arrêts et virages en pente. Si les pneus perdent leur traction, libérez la ou les lames et descendez lentement la pente.
- Tous vos mouvements en pente doivent être lents et progressifs. N'effectuez aucun changement soudain de vitesse ou de direction, susceptibles de faire basculer la machine.
- Faites spécialement attention en utilisant la machine avec des accessoires : ils risquent d'affecter la stabilité de la machine. Ne travaillez pas sur des pentes prononcées.
- Si vous utilisez le kit ensacheur optionnel, soyez extrêmement prudent et conduisez la tondeuse lentement en travaillant sur des pentes. En effet, le kit ensacheur peut altérer la stabilité de la tondeuse.
- Utilisez systématiquement les freins pour descendre une pente. Ne tentez pas de laisser la tondeuse descendre en roue libre en position Neutre.

## 5 SYSTÈME ÉLECTRIQUE

### 5.1 SÉCURITÉ DU SYSTÈME ÉLECTRIQUE

- Retirez la clé et les batteries et lisez le manuel du propriétaire avant tout ajustement ou réparation de l'unité.

- Retirez systématiquement la clé et les batteries avant de travailler sur cette unité.
- Retirez systématiquement la clé et les batteries pour le transport de l'unité.
- Débarrassez l'unité des coupures d'herbe, feuilles et autres débris. NE pulvérisez PAS d'eau pour nettoyer l'unité. Utilisez uniquement de l'air comprimé. Portez une protection auditive et oculaire adéquate pour le nettoyage de l'unité.
- Portez systématiquement des lunettes de sécurité et un équipement de protection à proximité de la batterie. Utilisez des outils isolés.
- Débarrassez le compartiment de batterie, le compartiment du moteur d'entraînement, le carter de tondeuse, le siège, etc., de tous les débris et salissures. N'utilisez pas de solvants, de détergents agressifs ou de produits abrasifs.
- Lorsque la clé est positionnée sur ON, la lame de tondeuse peut s'engager si l'interrupteur marche/arrêt des lames de carter (PDF) est engagé même si le moteur d'entraînement ne tourne pas. Maintenez les passants à l'écart pour engager l'interrupteur marche/arrêt des lames de coupe.
- Toutes les zones de maintenance et de stockage devraient être correctement ventilées selon les ordonnances et codes applicables à la protection contre les incendies afin d'éviter un danger de départ de feu.
- Interdisez toute flamme, étincelle ou fumée à proximité des batteries.
- Maintenez les batteries hors de portée des enfants.
- Maintenez systématiquement les écrans protecteurs, caches et protections en place et bien fixés. S'ils s'endommagent, réparez ou remplacez-les immédiatement. Ne modifiez ou retirez jamais les dispositifs de sécurité.

## 5.2 INFORMATIONS DU SYSTÈME ÉLECTRIQUE

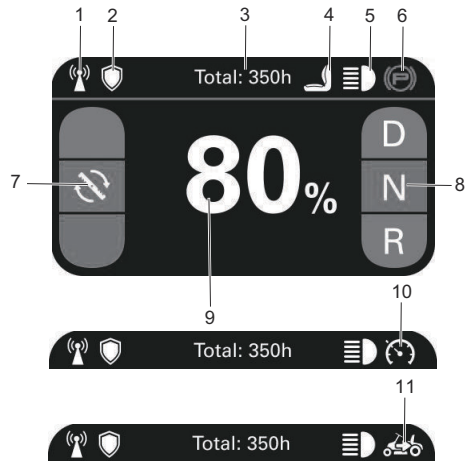
La tondeuse Cramer est alimentée par un système électrique de 82 volts. Il comprend les composants suivants :

1. Contrôleur d'entraînement et lame (1)
2. Moteurs de lames (2)
3. Accélérateur (1)
4. Affichage numérique (1)
5. Moteur de roues (1)
6. Compartiment de batterie (1)

## 5.3 AFFICHAGE NUMÉRIQUE

Situé sur le panneau de commande, l'affichage numérique offre à l'opérateur des informations sur le

système électrique. Il donne des informations détaillées sous la forme de motifs, codes et nombres.



#	Nom	Fonction
1		Signal 4G GPS
2		GreenShield
3	Total : 350h	Autonomie de véhicule
4		L'interrupteur de siège est fermé.
5		Témoins LED
6		Le frein de stationnement est engagé.
7		Vitesse de lame
8	D/N/R	Sens de conduite : Conduite (D), Neutre (N) et Marche arrière (R).
9	80%	Pourcentage batterie
10		Régulateur
11		Le mode de tonte en marche arrière est activé.

## 6 ERREURS

Le système CANBUS agit pour protéger l'utilisateur et la machine dès qu'il détecte un problème. S'il agit en arrêtant la machine ou un composant, il indique qu'une erreur s'est produite en l'affichant sur l'affichage numérique. Toutes les erreurs électriques comportent un code lettré suivi d'un nombre. La première lettre décrit le système ayant causé l'erreur selon le tableau suivant :

Nom	Signification
T	Moteur et contrôleur d'excitateur
PMU	Unité de gestion de puissance (dans le compartiment de batterie)
ML	Contrôleur de moteur de lames gauche
MR	Contrôleur de moteur de lames droite
V	Véhicule

## 6.1 CODE D'ERREUR

Codes d'erreur	Description	Solution
T11	Surtension	La tension est trop haute. Redémarrez l'alimentation électrique.
T12	Sous-tension	La tension est trop basse. Chargez le pack-batterie avant usage.
T13	Erreur d'autotest de contrôleur	Si vous rencontrez ce problème, contactez votre distributeur pour une solution.
T14	Moteur d'entraînement calé	Vérifiez si les roues d'entraînement sont bloquées et redémarrez l'alimentation électrique.
T15	Erreur d'encodeur de moteur	Vérifiez que le connecteur de capteur Hall du contrôleur d'entraînement est bien connecté puis redémarrez l'alimentation électrique.
T16	Erreur de circuit d'excitateur de contrôleur	Si vous rencontrez ce problème, contactez votre distributeur pour une solution.
T17	Surchauffe de partie entraînement de contrôleur	La température du contrôleur est trop élevée. Attendez que le contrôleur refroidisse puis redémarrez l'alimentation électrique.
T18	Surchauffe de moteur d'entraînement	La température du moteur est trop élevée. Attendez que le moteur refroidisse puis redémarrez l'alimentation électrique.
T21	Anomalie de capteur de température de moteur d'entraînement	Recherchez les anomalies du câblage du capteur de température.
T22	Surintensité de matériel de partie entraînement de contrôleur	La charge est trop haute. Redémarrez l'alimentation électrique.
T23	Erreur de précharge	Redémarrez l'alimentation électrique.
T25	Surintensité de logiciel d'entraînement	La charge est trop haute. Redémarrez l'alimentation électrique.
T26	Erreur MOS d'entraînement	Si vous rencontrez ce problème, contactez votre distributeur pour une solution.
T27	Perte de phase de moteur	Vérifiez que les câbles de moteur du contrôleur d'entraînement sont bien connectés puis redémarrez l'alimentation électrique.
T28	Surchauffe de contrôleur d'entraînement	La température du contrôleur est trop élevée. Attendez que le contrôleur refroidisse puis redémarrez l'alimentation électrique.
V14	Séquence incorrecte de fonctionnement de tonte en marche arrière	Appuyez sur le bouton de tonte en marche arrière avant la tonte en marche arrière.
V15	Erreur d'autotest de véhicule	<ol style="list-style-type: none"> <li>1. Avant de démarrer le véhicule, vérifiez que le frein est en position engagée.</li> <li>2. Avant de démarrer le véhicule, placez l'interrupteur de coupeur sur la position OFF et vérifiez que l'interrupteur de coupeur est bien connecté.</li> <li>3. Avant de démarrer le véhicule, placez le levier de vitesse FNR en position N.</li> <li>4. Vérifiez que le connecteur sous le siège est correctement connecté.</li> <li>5. N'enfonchez pas le bouton de régulateur lors du démarrage du véhicule.</li> </ol>



Codes d'erreur	Description	Solution
		6. N'enfoncez pas la pédale d'accélérateur lors du démarrage du véhicule.
V16	Séquence incorrecte de fonctionnement	Ramenez l'interrupteur de lames et l'accélérateur sur leur position initiale.
V17	Erreur de communication SPI	Redémarrez l'alimentation électrique.
V18	Panne de compartiment de batterie (PMU)	Vérifiez que les câbles d'accélérateur sont bien connectés puis redémarrez l'alimentation électrique.
V22	signal de lame anormal	Vérifiez que l'interrupteur de démarrage de lames est bien connecté puis ramenez l'interrupteur en position initiale.
V21	Erreur de communication CANBUS	Temporisation de la communication avec le compartiment de batterie. Redémarrez l'alimentation électrique.
V23	Anomalie d'interrupteur de présence d'opérateur	Vérifiez que le connecteur sous le siège est bien connecté puis redémarrez l'alimentation électrique.
ML3	Surintensité de logiciel de lame gauche	Vérifiez la charge de tonte et redémarrez l'alimentation électrique.
ML4	Lame gauche calée	Vérifiez la charge de tonte et ramenez l'interrupteur de démarrage de lames en position initiale.
ML6	Erreur MOS de lame gauche	Si vous rencontrez ce problème, contactez votre distributeur pour une solution.
ML7	Perte de phase de moteur de lame gauche	Vérifiez que les câbles de moteur et le contrôleur de lames sont bien connectés puis redémarrez l'alimentation électrique.
ML9	Anomalie de température de contrôleur de lame gauche	La température du contrôleur est trop élevée. Attendez que le contrôleur refroidisse puis redémarrez l'alimentation électrique.
ML14	Surintensité de matériel de lame gauche	Vérifiez la charge de tonte et redémarrez l'alimentation électrique.
ML15	Échec de démarrage de lame gauche	Vérifiez la charge de tonte et ramenez l'interrupteur de démarrage de lames en position initiale.
MR3	Protection de sous-régime de moteur	Vérifiez la charge de tonte et redémarrez l'alimentation électrique.
MR4	Protection de surrégime de moteur	Vérifiez la charge de tonte et ramenez l'interrupteur de démarrage de lames en position initiale.
MR6	Erreur de capteur HALL de moteur	Si vous rencontrez ce problème, contactez votre distributeur pour une solution.
MR7	Perte de phase de contrôleur	Vérifiez que les câbles de moteur et le contrôleur de lames sont bien connectés puis redémarrez l'alimentation électrique.
MR9	Erreur circuit ouvert MOSFET	La température du contrôleur est trop élevée. Attendez que le contrôleur refroidisse puis redémarrez l'alimentation électrique.
MR14	Sous-tension de contrôleur	Vérifiez la charge de tonte et redémarrez l'alimentation électrique.
MR15	Surtension de contrôleur	Vérifiez la charge de tonte et ramenez l'interrupteur de démarrage de lames en position initiale.
PMU10	Erreur de circuit ouvert de pack-batterie	La température du compartiment de batterie et de la batterie est trop basse. Utilisez la machine à une température adaptée puis redémarrez l'alimentation électrique.

Codes d'erreur	Description	Solution
PMU11	Erreur majeure PMU	La température du compartiment de batterie et de la batterie est trop haute. Attendez que la batterie refroidisse puis redémarrez l'alimentation électrique.
PMU12	Erreur secondaire PMU	Une erreur majeure dans le compartiment de batterie a empêché le démarrage des systèmes d'entraînement et de lames. Redémarrez l'alimentation électrique et réessayez.
PMU13	Aucun pack-batterie disponible	Vérifiez que vous utilisez le pack-batterie correct puis redémarrez l'alimentation électrique.
PMU	Pack-batteries disponibles insuffisants, fonctionnalité potentiellement limitée.	Veillez insérer davantage de pack-batteries.
SO	Erreur de communication d'affichage	Vérifiez les pièces de connexion de l'affichage et le réseau CAN.
	Affichage incorrect sélectionné	Veillez sélectionner l'affichage correct pour votre modèle de véhicule.

## 7 MAINTENANCE

### 7.1 MAINTENANCE DE LAME DE TONDEUSE

Vérifiez quotidiennement les lames de tondeuse. Elles sont essentielles au bon entretien du gazon et à l'efficacité énergétique. Maintenez-les affûtées -- une lame salie va arracher au lieu de couper l'herbe, laissant une motte brune déchiquetée sur l'herbe en quelques heures. Une lame salie consomme aussi plus d'énergie. Remplacez toute lame voilée, fissurée ou cassée.

#### ▲ AVERTISSEMENT

Ne tentez jamais de redresser une lame voilée en la chauffant, ni de souder une lame fissurée ou cassée. En effet, la lame risque de se briser et de causer des blessures graves. Remplacez les lames usées ou endommagées.

#### ▲ AVERTISSEMENT

Ne travaillez jamais avec les lames si la clé est dans l'interrupteur d'allumage. Positionnez la clé sur OFF et retirez les pack-batteries de la machine. Calez la tondeuse si vous devez travailler dessous. Portez des gants pour manipuler les lames. Vérifiez systématiquement l'état des lames si la tondeuse heurte une pierre, une branche ou un autre corps étranger !

#### ▲ DANGER

Un affûtage ponctuel peut être effectué avec une lime. Vérifiez l'équilibre des lames après le meulage. Un outil commercial d'équilibrage est disponible dans la plupart des magasins de bricolage. Vous pouvez aussi effectuer l'équilibrage en plaçant la lame sur un poinçon linéaire inversé ou un boulon de 12,7 mm (1/2"). La lame ne doit pas pencher ni s'incliner. En la faisant tourner lentement, la lame ne doit pas trembler. Si la lame est déséquilibrée, rectifiez-la avant de la remettre. Posez la lame sur une surface plane et vérifiez la distorsion. Remplacez toute lame déformée.

#### ▲ AVERTISSEMENT

- Le tranchant (partie incurvée) de la lame doit pointer vers le haut en direction de l'intérieur du carter pour assurer une bonne coupe.
- Pour le montage des lames, faites-les tourner après l'installation afin de vous assurer que les pointes de lame ne se touchent pas entre elles et avec les parois de la tondeuse.
- Un défaut de serrage du boulon peut entraîner une perte de lame et donc des blessures graves.
- Les lames de tondeuse sont affûtées et peuvent donc couper. Portez des gants et faites preuve de davantage de prudence pour leur entretien.

## 7.1.1 REMPLACEMENT DE LAME

Voir figure 17

1. Arrêtez le moteur, retirez la clé de contact et serrez le frein de stationnement.
2. Relevez la hauteur du carter de coupe sur la position la plus élevée afin de pouvoir accéder aux lames.

### i REMARQUE

Si nécessaire, levez la tondeuse en la plaçant sur un pont ou avec un cric et des chandelles ou encore retirez le carter de coupe comme décrit à la section précédente afin de pouvoir accéder aux lames.

### ▲ AVERTISSEMENT

Si vous levez la tondeuse afin de pouvoir accéder aux lames, assurez-vous que la tondeuse est bien arrimée et que le frein de stationnement est serré avant de procéder. Si la tondeuse n'est pas correctement arrimée, elle risque de tomber et de causer des blessures graves, voire mortelles.

3. Coincez un bloc de bois entre la lame et le carter de tondeuse pour empêcher la lame de tourner.
4. Desserrez l'écrou de lame en le tournant dans le sens antihoraire (observé depuis le dessous de la tondeuse) avec une clé de 16 mm ou une clé à douille (non fournie).
5. Retirez l'écrou de lame, l'espaceur, l'isolation de la lame et la lame.
6. Filetez l'écrou de lame sur l'arbre et serrez à la main.
7. Serrez l'écrou de lame dans le sens horaire avec une clé dynamométrique (non fournie) afin de vous assurer que le boulon est correctement serré. Le couple recommandé pour l'écrou de lame est de 90 Nm~100 Nm (66~74 ft.lbs).

### ▲ AVERTISSEMENT

Assurez-vous que la lame est bien en place et que l'écrou de lame est serré selon les spécifications de couple précédentes. Si la lame n'est pas correctement arrimée, elle risque de se desserrer et de causer des blessures graves.

8. Faites de même pour la seconde lame, si nécessaire.

### i REMARQUE

Assurez-vous que toutes les pièces sont remises en place dans l'ordre exact de leur retrait.

## 7.2 REMPLACEMENT DE PHARE

Voir figure 18

Appelez le service clientèle ou visitez notre site Web en ligne pour commander un nouveau phare.

1. Stationnez la tondeuse sur une surface de niveau et serrez le frein de stationnement.
2. Arrêtez le moteur et retirez la clé de contact.
3. Retirez et mettez de côté la vis hex et la rondelle plate maintenant le panneau de plancher de la tondeuse en place.
4. Levez légèrement le panneau de plancher pour accéder aux deux vis hex et aux rondelles plates fixant le phare en place. Retirez les vis et les rondelles et mettez-les de côté.
5. Débranchez l'ancien phare et mettez-le au rebut.
6. Enfichez le nouveau phare et remettez les vis et rondelles. Serrez fermement.
7. Abaissez le panneau de plancher et remettez les vis et rondelle pour fixer.

## 7.3 PNEUS

Pour une tonte nivelée, il est important que les pneus soient bien gonflés. La pression recommandée est de :

### i REMARQUE

La pression de pneu devrait uniquement être mesurée ou ajustée lorsque les pneus sont froids.

# Français

Roues d'entraînement	8 psi
Roulettes avant	24 psi

## i REMARQUE

Inspectez les pneus quotidiennement. Remplacez immédiatement en cas de dommage.

## ▲ AVERTISSEMENT

Vérifiez par prudence la pression des pneus pendant le gonflage. Un pneu surgonflé risque d'exploser et de causer des blessures graves.

FR

## 7.4 LUBRIFICATION

Voir figure 19

Veillez ajouter de l'huile avant le travail.

Type d'huile	SAE85W-140
Capacité d'huile	180 ml

Contactez votre revendeur Cramer pour remplacer la lubrification.

## i REMARQUE

Remplacez l'huile du réducteur après les 50 premières heures de service de la machine puis toutes les 200 heures.

## 7.5 VALEURS DE COUPLE

## ▲ AVERTISSEMENT

Portez une attention particulière au serrage des écrous de roue d'entraînement et des boulons d'axe de lame. Un défaut de serrage correct de ces éléments peut entraîner une perte de lame ou de roue et donc des dommages et des blessures graves.

Les valeurs de couple sont fournies ci-dessous :

Pièce	Ft-lbs.	Nm
Écrous de roue	89	120
Boulon d'axe de lame	66	90

**Écrous de roue uniquement** -Il est recommandé de les vérifier après 2 heures de fonctionnement, initialement, puis toutes les 100 heures et après chaque retrait pour réparation ou remplacement.

## 7.6 MAINTENANCE DE PACK-BATTERIE

Votre tondeuse Cramer est alimentée par un pack-batterie qui, s'il est correctement entretenu, vous offre une longévité d'utilisation. Pour un entretien approprié, respectez les instructions suivantes :

- Chargez systématiquement les batteries après chaque usage.
- Dès qu'un pack-batterie est complètement déchargé et hors tension, il est préférable de recharger la batterie dès que possible. Une décharge profonde du pack-batterie signifie une longévité d'utilisation écourtée de la batterie qui peut, en outre, être endommagée en permanence. Une charge complète n'est pas nécessaire. Elle est bénéfique même si vous chargez le pack-batterie uniquement 5-10 minutes. Il est préférable de le recharger dans les 24 heures.
- Empêchez l'herbe, les salissures et les débris de s'accumuler à proximité des bornes de batterie et de la zone de la batterie.
- Chargez les batteries à l'intérieur dans une zone sèche et bien ventilée, à l'écart des étincelles et des flammes. N'exposez jamais le chargeur à la pluie, à la vapeur ou à un liquide.

- Chargez uniquement les batteries au lithium fournies par Cramer.
- Ne touchez pas la portion sans isolation du chargeur (broches de borne) ou le connecteur de sortie.
- N'utilisez pas avec des cordons ou des fils défectueux. Remplacez immédiatement les cordons et fils défectueux.
- Pour un stockage à long terme, assurez-vous que la température de stockage est entre -20°C et 45°C pendant un mois et entre 0°C et 35°C pour 2 à 12 mois.
- L'environnement de travail du pack-batterie doit être entre -20°C et 55°C pour la décharge et 0°C et 55°C pour la charge.

## 7.7 MAINTENANCE DE FILTRE DE COMPARTIMENT DE BATTERIE

Remplacez le filtre du compartiment de batterie toutes les 200 heures.

## 7.8 ENTRETIEN

### **i** IMPORTANT

Attendez l'arrêt de tous les mouvements avant l'ajustement, le nettoyage ou les réparations. Les réparations comme la maintenance nécessitant une alimentation électrique devraient uniquement être effectuées par un personnel de maintenance formé. Lisez et respectez les avertissements de sécurité sur la couverture du manuel.

### **i** IMPORTANT

Les réparations comme la maintenance nécessitant une alimentation électrique devraient uniquement être effectuées par un personnel de maintenance formé.

- Stationnez la tondeuse sur un sol de niveau. Assurez-vous que les leviers de commande de direction sont sur la position neutre et que l'interrupteur PDF est sur OFF. Levez le carter, positionnez la clé sur OFF, retirez la clé de l'interrupteur et enlevez les pack-batteries du compartiment de batterie sous le siège.
- Toute opération de maintenance nécessitant le retrait des caches de sécurité doit être effectuée par un technicien d'entretien formé.
- Utilisez un bâton ou un instrument similaire pour nettoyer sous la tondeuse en vous assurant qu'aucun membre du corps -- spécialement les bras et les mains -- ne se trouve sous la tondeuse.
- Préservez la propreté de votre machine et retirez tout dépôt de salissure et les coupures d'herbe.
- Préservez la propreté du compartiment de batterie, du carter et de la station d'opérateur en éliminant toute accumulation de salissures, de coupures d'herbe et d'autres débris.
- Débarrassez le compartiment de batterie, le compartiment du moteur d'entraînement, le carter de tondeuse, le siège, etc., de tous les débris et salissures. Pour le nettoyage, utilisez uniquement de l'air comprimé. N'utilisez PAS d'eau, de solvants, de détergents agressifs ou de produits abrasifs.
- Portez systématiquement une protection oculaire adéquate pour l'entretien des batteries ou pour le meulage des lames de tondeuse et le retrait des débris accumulés. Ne tentez jamais un quelconque ajustement ou réparation sur le système d'entraînement de tondeuse, le carter de tondeuse ou un quelconque accessoire si le système d'entraînement de traction est en marche. Les réparations comme la maintenance nécessitant une alimentation électrique devraient uniquement être effectuées par un personnel de maintenance formé.
- Ne travaillez jamais sous la machine ou un accessoire tant qu'elle n'est pas soutenue en toute sécurité sur un cric de levage. Assurez-vous que la machine est sécurisée lorsqu'elle est levée ou placée sur les chandelles.
- Le cric de levage ne doit pas permettre le mouvement de la machine lorsque le système d'entraînement de traction est en marche et les roues d'entraînement en rotation. Utilisez uniquement un cric de levage certifié. Utilisez uniquement un cric de levage approprié offrant un poids minimum nominal de 907,2 kg (2000 livres) pour maintenir l'unité levée. Utilisez-les uniquement par paire. Respectez les instructions fournies avec le cric de levage de véhicule.
- Ne touchez pas les pièces chaudes de la machine.
- Maintenez les écrous et boulons serrés, spécialement les boulons d'accessoire de lame. Maintenez l'équipement en bon état de service.
- N'altérez jamais les dispositifs de sécurité. Vérifiez régulièrement leur fonctionnement correct.
- Positionnez la clé sur OFF avant de déboucher le déflecteur d'herbe.
- Ne dégagez jamais le déflecteur d'herbe avec la machine en marche. Positionnez la clé sur OFF et assurez-vous que les lames sont bien arrêtées avant le nettoyage. Utilisez un bâton pour dégager une zone de décharge obstruée. N'utilisez jamais vos mains !

- Arrêtez l'unité et laissez les lames s'arrêter avant de déboucher le déflecteur d'herbe. Les composants du système de collecte d'herbe sont sujets à l'usure, aux dommages et à la détérioration, risquant d'exposer ainsi des pièces mobiles ou de permettre la projection d'objets. Vérifiez fréquemment les composants et remplacez par des pièces recommandées par le fabricant, si nécessaire.
- Faites preuve de prudence pour travailler sous le carter car les lames de tondeuse sont extrêmement affûtées. Portez des gants et faites preuve de davantage de prudence pour leur entretien.
- Utilisez uniquement des pièces de tondeuse Cramer d'origine pour vous assurer de respecter les normes initiales.
- Retirez systématiquement les batteries pour le transport de l'unité. Débarrassez l'unité des coupures d'herbe, feuilles et autres débris.
- Vérifiez fréquemment le fonctionnement du frein. Ajustez et entretenez si nécessaire.
- Assurez la maintenance ou le remplacement des étiquettes de sécurité et d'instructions, si nécessaire.
- Faites assurer l'entretien de votre tondeuse à gazon autoportée par un réparateur qualifié utilisant uniquement des pièces de rechange identiques. Vous assurez ainsi la préservation de la sécurité de la tondeuse à gazon autoportée.
- Rechargez uniquement avec le chargeur spécifié par le fabricant. Un chargeur adapté à un type de pack-batterie peut créer un risque d'incendie s'il est utilisé avec un pack-batterie d'un autre type.

## 8 TRANSPORT ET STOCKAGE

### 8.1 TRANSPORT

#### ▲ AVERTISSEMENT

Faites extrêmement attention en chargeant ou déchargeant la machine d'une remorque. Appuyez sur le bouton d'entraînement lent et déplacez prudemment les leviers d'entraînement selon les besoins pour maîtriser la vitesse. Pour charger, reculez systématiquement sur la remorque. Pour charger ou décharger la tondeuse, ne dépassez pas l'angle de fonctionnement maximum recommandé de 15°. Le non-respect de ces instructions peut entraîner une perte de contrôle et causer des blessures graves, voire mortelles, ou des dégâts matériels.

#### ▲ AVERTISSEMENT

Faites attention en chargeant ou déchargeant la tondeuse d'une remorque. Assurez-vous que le carter de coupe est levé sur la position la plus élevée de sorte à ne pas se bloquer sur la rampe. Les roues de la tondeuse peuvent sortir de la rampe ou de la remorque, faisant pivoter ou basculer la tondeuse et causant ainsi un risque d'écrasement pouvant entraîner des blessures graves, voire mortelles.

1. Stationnez la tondeuse sur une surface de niveau.
2. Levez le carter de coupe sur la position la plus élevée.
3. Positionnez et fixez la rampe sur la remorque selon les instructions du fabricant.

#### i REMARQUE

Nous vous recommandons d'utiliser une rampe de chargement suffisamment large, soit au moins 30 cm plus large que la tondeuse, afin de minimiser le risque de sortie de rampe des roues de la tondeuse.

4. Reculez lentement avec la tondeuse sur la rampe et dans la remorque.
5. Abaissez complètement le carter de tondeuse.
6. Serrez le frein de stationnement.
7. Arrêtez la tondeuse et retirez la clé.
8. Arrimez la tondeuse selon les besoins avec des sangles ou des câbles pour éviter tout mouvement durant le transport.

#### ▲ AVERTISSEMENT

Pour éviter tout démarrage ou mouvement accidentel susceptible de causer des blessures graves, retirez systématiquement la clé de contact et serrez le frein de stationnement pour le transport de la tondeuse.

### 8.2 NETTOYAGE ET STOCKAGE

## 8.2.1 NETTOYEZ LA MACHINE

- Retirez toute accumulation d'herbe et de feuilles sur ou autour du cache de moteur (N'utilisez pas d'eau d'un pistolet haute pression pour rincer le moteur).
- Essayez occasionnellement la tondeuse avec un chiffon sec pour la nettoyer.
- Si des débris s'accumulent sous la tondeuse durant l'utilisation, arrêtez le moteur, éteignez la machine et raclez pour nettoyer avec un outil approprié.

## 8.2.2 NETTOYAGE DU CARTER DE TONDEUSE

Voir figure 20

- Serrez le frein de stationnement. dans les fentes de stationnement.
- Ajustez le carter de tondeuse sur la hauteur la plus basse.
- Fixez l'accouplement rapide de port de lavage fourni sur le flexible de jardin.
- Fixez le flexible de jardin avec l'accouplement rapide sur le port de lavage du carter de tondeuse. Le port de lavage est sur la gauche du carter de tondeuse.
- Ouvrez l'eau.
- Tirez l'interrupteur PDF pour démarrer les lames de coupe de la tondeuse et ajustez la vitesse des lames sur le maximum.
- Rincez sous le carter avec de l'eau pendant environ une minute.
- Dégagez les lames de tondeuse en poussant l'interrupteur PDF vers le bas.
- Arrêtez l'eau et retirez le flexible de jardin et l'accouplement rapide du port de lavage.
- Retirez l'accouplement rapide du flexible de jardin et rangez-le pour usage ultérieur.
- Arrêtez complètement la tondeuse.

## 8.2.3 STOCKAGE DE LA MACHINE

Procédez comme suit afin de préparer la machine pour son stockage.

- Nettoyez la machine selon les descriptions de la section précédente.
- Inspectez la lame et remplacez-la ou affûtez-la, si nécessaire (voir la section Maintenance).
- Ne stockez pas la machine à côté de substances corrosives comme des engrais ou d'halite (sel de déneigement).
- Maintenez la machine hors de portée des enfants.
- Ne couvrez pas la machine sous une bâche en plastique solide. Le plastique solide piège l'humidité autour de la machine, entraînant rouille et corrosion.
- Vérifiez soigneusement toutes les pièces usées ou endommagées nécessitant un remplacement et commandez-les auprès de votre revendeur.
- Veuillez contacter le centre d'entretien pour une lubrification approfondie de la machine.
- Chargez complètement et assurez l'entretien des batteries.
- Ne dégonflez pas les pneus.
- La machine devrait être stockée dans un endroit bien ventilé, propre et sec car le chargeur de batterie ne peut pas être utilisé dans un environnement humide.
  - Maintenez systématiquement les batteries complètement chargées. Il est spécialement important d'éviter des dommages de batterie lorsque la température chute sous 0°C (32°F).
  - Fixez l'adaptateur de chargeur sur le port de charge et les batteries selon la section Adaptateur de charge de la section Système électrique.
  - Branchez le chargeur dans la prise électrique appropriée. Référez-vous aux sections Chargeur de batterie, Charge de batterie et Recommandations de charge de la section Système électrique pour en savoir plus sur l'usage du chargeur et la charge des batteries.
  - Pour maximiser la vie utile des batteries, préférez-les recharger complètement peu de temps avant chaque usage.

## 8.2.4 PRÉPARATION À L'UTILISATION APRÈS STOCKAGE

Procédez comme suit avant d'utiliser la tondeuse après son stockage :

- Chargez les batteries à fond.

- Vérifiez la pression des pneus et gonflez-les si nécessaire.
- Conduisez brièvement la tondeuse et vérifiez tous les systèmes et composants pour vous assurer de leur bon fonctionnement.



## 9 DÉPANNAGE

PROBLÈME	CAUSE POSSIBLE	SOLUTION
Le véhicule ne bouge pas.	Le compartiment de batterie n'est pas inséré dans le pack-batterie ou pas dans le pack-batterie Cramer spécifié.	Pour assurer le fonctionnement normal du véhicule, au moins 1 élément des produits de pack-batterie Cramer spécifiés devrait être présent dans le compartiment de batterie.
	Le pack-batterie n'est pas chargé.	Vérifiez la charge du pack-batterie.
	Personne n'est assis sur le siège ou l'interrupteur de présence d'opérateur n'est pas fermé.	Assurez-vous que le conducteur est assis sur le siège.
	Le frein de stationnement est engagé.	Assurez-vous de desserrer complètement le frein de stationnement de sorte que les roues puissent tourner librement.
	Le compartiment de batterie est en état de veille.	Positionnez la clé de contact sur OFF et attendez plus de 5 secondes avant de redémarrer la machine.
Arrêt soudain durant la conduite	La batterie n'est pas chargée.	Pour assurer le fonctionnement normal du véhicule, au moins 1 élément des produits de pack-batterie Cramer spécifiés doit être placé dans le compartiment de batterie en ayant vérifié que le pack-batterie est chargé.
	Routes accidentées et cahoteuses causant une déconnexion de l'interrupteur de présence d'opérateur.	Serrez le frein de stationnement et redémarrez la machine puis appuyez sur le joystick.
	Panne de pédale des gaz.	Contactez le personnel du service après-vente Cramer.
	Panne de contrôleur d'entraînement.	Contactez le personnel du service après-vente Cramer.
La lame ne fonctionne pas après avoir tiré sur l'interrupteur PDF.	Le compartiment de batterie n'est pas inséré dans le pack-batterie spécifié par Cramer.	Pour assurer le fonctionnement normal du véhicule, au moins 1 élément des produits de pack-batterie Cramer spécifiés doit être placé dans le compartiment de batterie en ayant vérifié que le pack-batterie est chargé.
	La puissance de la batterie est inférieure à 5%.	Vérifiez la charge du pack-batterie. Si elle est faible, chargez la batterie.
	L'interrupteur de présence d'opérateur n'est pas fermé.	Assurez-vous que le conducteur est assis sur le siège.
	L'interrupteur de lames (PDF) n'est pas en position initiale avant la mise en marche.	Enfoncez le PDF et tirez-le à nouveau vers le haut.
	Blocage de moteur de lames ou autre protection fonctionnelle.	Vérifiez l'absence d'herbes ou autres corps étrangers au niveau de la connexion entre la lame et le moteur pour assurer la fluidité de la rotation de la lame. Il est recommandé de relever le carter et de démarrer la lame avant d'ajuster la vitesse correcte du carter.
	Dysfonctionnement de contrôleur de marche.	Assurez-vous de l'absence d'autre erreur affichée.
La lame s'arrête en tondant le gazon.	Dysfonctionnement de contrôleur de lames.	Vérifiez le code d'erreur qui s'affiche.
	Surcharge de moteur de lames.	Nettoyez l'intérieur du carter, assurez-vous que la rotation de la lame est normale, appuyez sur l'interrupteur PDF, redémarrez la machine et réduisez la charge sur la lame, soit en accroissant la hauteur du carter de coupe, soit en réduisant la vitesse de conduite.

PROBLÈME	CAUSE POSSIBLE	SOLUTION
	Température de pack-batterie trop élevée.	Ne l'utilisez pas immédiatement après la fin de la charge. Vous risquez de déclencher l'erreur de protection de température du pack-batterie.
	La puissance de la batterie est inférieure à 5%.	La puissance du pack-batterie est faible. Veuillez charger la batterie.
	La lame est heurtée par un corps étranger entraînant un arrêt soudain.	Positionnez la clé sur OFF et attendez plus de 5 secondes avant de redémarrer la machine.
	Dysfonctionnement de contrôleur d'entraînement.	Vérifiez le code d'erreur qui s'affiche.
La tondeuse coupe l'herbe de manière irrégulière et la différence de hauteur est très importante.	La lame est émoussée.	Affûtez la lame selon le manuel.
	La lame est tordue.	Remplacez la lame tordue selon les instructions et portez un équipement de protection.
	Le carter n'est pas à plat.	Mettez à plat le carter selon les instructions pour assurer que les hauteurs à droite et à gauche sont égales.
La hauteur de tonte réelle ne correspond pas à celle marquée choisie.	Desserrez les boulons de fixation du carter.	Ajustez les boulons de fixation du carter pour assurer leur installation ferme. Note : le carter doit être à nouveau nivelé après l'ajustement des boulons de montage.
	Le carter a été gravement endommagé ou usé.	Remplacez avec un carter neuf.
Déchiquetage anormal du véhicule	Le gazon est trop humide.	Avant la coupe, veuillez vérifier l'état de l'herbe. Si l'herbe est trop humide, veuillez attendre que le vent ou le soleil la sèche. Attendez que la rosée se dissipe avant la coupe.
	La tondeuse est réglée pour couper trop d'herbe à la fois.	Si l'herbe est trop dense ou haute, veuillez lever le carter et éviter de couper l'herbe dense autant que possible.
Vibrations de machine excessives	Les lames sont desserrées.	Affûtez la lame selon la méthode du manuel.
	Les lames sont tordues.	Remplacez la lame tordue en prêtant attention au remplacement correct de la lame selon les instructions et portez des gants de protection.
	Carter irrégulier.	Mettez à plat le carter selon les instructions pour assurer que les hauteurs à droite et à gauche sont égales.
	Desserrez le carter.	Verrouillez les boulons fixes du carter.
	La tondeuse est réglée pour couper trop d'herbe à la fois.	Si l'herbe est trop dense ou haute, veuillez lever le carter et tenter d'éviter de couper l'herbe dense.
Débris ou brins d'herbe restant au sol après la tonte.	La tondeuse est réglée pour couper trop d'herbe à la fois.	Si l'herbe est trop dense ou haute, veuillez lever le carter. Si l'herbe dépasse 15cm, veuillez effectuer deux cycles de tonte pour obtenir la tonte souhaitée en tentant d'éviter de couper l'herbe trop dense.
	L'herbe est trop humide.	Avant la coupe, veuillez vérifier l'état de l'herbe. Si l'herbe est trop humide, veuillez attendre que le vent ou le soleil la sèche. Attendez que la rosée se dissipe avant la tonte.
	La vitesse de conduite est excessive.	Réduisez la vitesse de conduite.
	La vitesse de coupe de la lame est trop basse.	Augmentez la vitesse de la lame.

PROBLÈME	CAUSE POSSIBLE	SOLUTION
Durée de tonte courte	La tonte de l'herbe dense peut réduire la durée de la tonte.	Levez le carter ou réduisez la vitesse de la lame pour augmenter l'autonomie de la tondeuse avec une seule charge.
Emballement de la tondeuse	Pressions de pneus différentes	Vérifiez la pression du pneu arrière de la tondeuse régulièrement, selon le manuel.
Le véhicule ne démarre pas après le lavage.	Nettoyage inapproprié, notamment de l'eau dans l'écran LED, le compartiment de batterie ou les autres parties renfermant des composants électroniques.	<ol style="list-style-type: none"> <li>1. Veuillez suivre les instructions pour le nettoyage de la machine.</li> <li>2. Si le véhicule est accidentellement trempé, placez-le dans un endroit sec pendant 12h ou séchez-le avec une soufflante avant de l'utiliser.</li> <li>3. Contactez le personnel du service après-vente Cramer.</li> </ol>
La tondeuse est bloquée.	Mauvaises herbes et détritux accumulés sur le carter.	Veillez suivre les instructions pour le nettoyage de la machine à chaque fois que vous l'avez utilisée.
Stationnée, la machine glisse rapidement sur la pente et dérape.	Usure prononcée des pneus.	Contactez le personnel du service après-vente pour remplacer les pneus.
	Le frein électromagnétique est endommagé ou énormément usé.	Contactez le personnel du service après-vente pour remplacer le frein électromagnétique.
	Le frein électromagnétique est desserré manuellement.	Vérifiez le frein électromagnétique et remettez-le en position initiale.

## 10 DONNÉES TECHNIQUES

N° de modèle	82LT107
Tension	82 V
Poids de véhicule brut	106±3 kg
Longueur	170 cm
Hauteur	117 cm
Largeur (avec déflecteur)	135 cm
Largeur (sans déflecteur)	107 cm
Largeur de carter	107 cm
Vitesse de marche avant	0-8 mph
Vitesse de marche arrière	0-3 mph
Plage de hauteur de coupe	3.81-11.4 cm
Niveau d'ajustement de hauteur de coupe	7 pcs
Vitesse à vide	2400/3000/3200 tr/min
Temps de chargement	4 h (avec chargeur 8 A)
Puissance de moteur	1.2 kW (moteur de lames)
	1.2 (moteur d'entraînement)
Compatibilité de pente MAXI.	15°
Nombre de lames (déflecteur /mulching)	2 pcs
Niveau de pression acoustique mesuré	$L_{pA} = 84.77$ dB(A), $K_{pA} = 3$ dB(A)
Niveau de puissance acoustique mesuré	$L_{wA} = 98.24$ dB(A)
Niveau de puissance acoustique garanti	$L_{wA,d} = 100$ dB(A)
Vibration	Bras : $\leq 2.5$ m/s <sup>2</sup> , $K = 1.5$ m/s <sup>2</sup>
	Corps : $\leq 2.5$ m/s <sup>2</sup> , $K = 1.5$ m/s <sup>2</sup>

## 11 GARANTIE LIMITÉE

### 11.1 COUVERTURE DE CETTE GARANTIE

Cramer offre la garantie suivante à l'acquéreur initial ("Propriétaire") uniquement - la garantie est incessible :

**A. Usage résidentiel :** Le produit Cramer utilisé pour des fins résidentielles normales\* est garanti pendant cinq (5) ans ou 1 500 heures d'usage totales (première occurrence) à compter de la date d'achat pièces et main-d'œuvre sur le châssis, le carter et les batteries. Les consommables comme les pneus et les lames bénéficient d'une garantie de trente (30) jours à compter de la date d'achat. Si, durant la période de garantie, le Propriétaire découvre un défaut de pièce ou de main-d'œuvre :

- Le Propriétaire doit notifier le défaut dans les meilleurs délais à Cramer ou à un revendeur agréé, par écrit, e-mail, appel téléphonique, via l'application ou en personne. En aucun cas ladite notification ne saurait être reçue par Cramer ou un revendeur agréé plus de cinq (5) ans après la date d'achat.
- Dans un délai raisonnable après ladite notification et après vérification que le défaut est couvert par la garantie : Cramer corrige tout défaut de pièces ou de main-d'œuvre sur le produit Cramer par réparation ou remplacement des pièces, à son gré, avec des pièces de rechange neuves ou usagées.
- Ces réparations, notamment les pièces et la main-d'œuvre, sont à la charge de Cramer mais uniquement dans le cas du Propriétaire initial.

**B. Usage commercial :** Le produit Cramer utilisé pour des fins résidentielles commerciales et institutionnelles\* est garanti pendant cinq (5) ans ou 1 500 heures d'usage totales (première occurrence) à compter de la date d'achat pièces et main-d'œuvre sur le châssis, le carter et les batteries. Les consommables (notamment les pneus et les lames) bénéficient d'une garantie de trente (30) jours à compter de la date d'achat. Si, durant la période de garantie, le Propriétaire découvre un défaut de pièce ou de main-d'œuvre :

- Le Propriétaire doit notifier le défaut dans les meilleurs délais à Cramer ou à un revendeur agréé, par écrit, e-mail, appel téléphonique, via l'application ou en personne. En aucun cas ladite notification ne saurait être reçue par Cramer ou un revendeur agréé plus de cinq (5) ans après la date d'achat.
- Dans un délai raisonnable après ladite notification et après vérification que le défaut est couvert par la garantie : Cramer corrige tout défaut de pièces ou de main-d'œuvre sur le produit Cramer par réparation ou remplacement des pièces, à son gré, avec des pièces de rechange neuves ou usagées.
- Ces réparations, notamment les pièces et la main-d'œuvre, sont à la charge de Cramer mais uniquement dans le cas du Propriétaire (commercial) initial.

**FR**

## i REMARQUE

Un défaut d'entretien correct des batteries et de maintien d'une charge complète réduit la vie utile des batteries et annule leur garantie. Les dispositions de cette garantie limitée ne concernent pas les défaillances imputables à :

- Abus ou négligence comme un dégât des eaux, un câble desserré ou une visserie rouillée ou corrodée.
- Défaut de maintenance appropriée, dommages causés par une installation inappropriée de la batterie, négligence, casse, exposition à des conditions de température extrêmes notamment le gel, des températures élevées, la proximité avec des sources de chaleur comme les chauffages ou le feu, l'exposition à l'eau ou autres substances, les décombres, le fonctionnement de la batterie en état de décharge ou de surcharge.
- Une batterie chargée par des systèmes autres que le chargeur de batterie du type d'équipement d'origine.

**Note de bas de page :** *\*\* Fins résidentielles normales" signifie ici l'usage du Produit à l'endroit de votre domicile. L'usage à plusieurs endroits est considéré comme un usage commercial et c'est alors la garantie en cas d'usage commercial qui s'applique.*

## 11.2 EXÉCUTION DE L'ENTRETIEN SOUS GARANTIE

Tout entretien sous garantie doit être effectué par un revendeur agréé Cramer ou un technicien d'entretien agréé Cramer. Les frais de transport ou appels d'entretien pour le produit de et vers le revendeur agréé pour les travaux sous garantie sont à la charge du propriétaire du produit. Pour l'entretien sous garantie, contactez un revendeur agréé.

## 11.3 EXCLUSIONS DE CETTE GARANTIE

Cramer n'assume pas de garantie dans les cas suivants :

- Réparations par des personnes sans agrément.
- Dommages causés par un usage du produit Cramer à des fins autres que celles pour lesquelles il a été conçu.
- Dommages causés par des désastres comme les incendies, les inondations, le vent et la foudre.
- Dommages causés par la négligence, l'abus, l'usage anormal, l'usage inapproprié ou déraisonnable, un accident, la négligence ou un usage impropre comme des dégâts des eaux.
- Réparations ou remplacement résultant de l'usage de pièces ou accessoires sans autorisation.
- Réparations ou remplacement résultant de toute altération ou modification, déterminé par Cramer, amoindissant le fonctionnement, les performances ou la durabilité de l'équipement.
- Produits, composants ou pièces non fabriqués par Cramer.
- Produits dont l'identification a été altérée, notamment un numéro de série retiré ou rendu illisible.
- Dépréciation ou dommage causé par l'usure normale, un défaut de maintenance raisonnable et appropriée, un défaut de respect des instructions de fonctionnement, de maintenance et d'ajustement du manuel du propriétaire du produit ou d'autres instructions fournies par Cramer.
- Pièces d'entretien et de maintenance normales, notamment lubrifiants, pièces de mise au point, lames, affûtage de lame, roulements, freins ou direction.
- Produits dont la programmation n'est pas agréée pour ledit produit, notamment altération de paramètres, programmation ou ajustements post-vente ou toute modification des composants, de l'électronique ou du logiciel.

## 11.4 EXONÉRATION DE GARANTIE

Ces garanties remplacent toutes les autres garanties, explicites ou implicites, notamment les garanties implicites de qualité marchande et d'adaptation à une finalité particulière. Cependant, si le Produit Cramer est acquis sous forme de produit grand public, toute garantie implicite de qualité marchande et d'adaptation à une finalité particulière est limitée à la durée de cette garantie limitée. Certains États réfutent les limitations de durée d'une garantie implicite. Ladite limitation peut donc ne pas vous être opposable. Cette garantie vous confère des droits juridiques spécifiques et vous pouvez disposer également d'autres droits, variables selon l'État.

## 11.5 LIMITATION DES RECOURS

Cramer n'est en aucun cas responsable envers les dommages spéciaux, incidents ou conséquents reposant sur un manquement à la garantie, une rupture de contrat, une négligence, la responsabilité délictuelle stricte et toute autre théorie juridique. Ces dommages incluent notamment :

- Perte de profits
- Perte d'économies ou de revenus
- Perte d'usage du Produit Cramer ou de tout équipement associé
- Coûts en capital
- Coûts de tout équipement de substitution, installation, service ou temps d'arrêt
- Les réclamations de tiers, notamment les clients, et dégâts des biens

## 11.6 LIMITE TEMPORELLE

Sauf si la législation d'État le détermine autrement :

Toute action en manquement à la garantie doit débiter dans les cinq (5) ans ou soixante (60) mois de la date d'achat pour une application résidentielle ou commerciale.

Si la date de fabrication dépasse une plage de temps raisonnable avant l'achat du premier consommateur, la garantie de Cramer peut être sujette à des limitations additionnelles.

## 11.7 AUCUNE AUTRE GARANTIE

Cet accord est entendu comme l'accord complet et exclusif entre les parties, s'imposant à tous les accords préalables, oraux ou écrits, et à toutes les autres communications entre les parties relatives au sujet de cet accord.

## 11.8 RESPONSABILITÉ DU PROPRIÉTAIRE

Vous devez préserver votre Produit Cramer selon les procédures de maintenance décrites dans votre manuel du propriétaire. Cette maintenance de routine, exécutée par vous ou un revendeur, est à votre charge.

Comme tous les autres équipements à alimentation électrique, cette machine est potentiellement dangereuse si elle n'est pas utilisée correctement. Tout opérateur doit être prudent et avoir systématiquement la sécurité à l'esprit. Avant d'utiliser le Produit Cramer, tout opérateur doit soigneusement se familiariser avec le manuel du propriétaire relatif au fonctionnement et à la sécurité de la machine mais aussi avec les avertissements de sécurité sur la machine elle-même.

## 11.9 ASSIGNATION DES RISQUES

Cet accord assigne les risques de défaillance du produit entre Cramer et le Propriétaire. Cette assignation est reconnue par les deux parties et reflétée dans le prix des marchandises.

## 11.10 ENREGISTREMENT DE LA GARANTIE

Sauf si la législation d'État le détermine autrement :

1. Les propriétaires doivent enregistrer l'unité auprès de Cramer dans les dix (10) jours suivant la date d'achat.
2. L'enregistrement peut être effectué en renseignant le Formulaire d'enregistrement de la garantie qui est fourni dans le manuel opérateur.
3. L'enregistrement peut être effectué également en utilisant les formulaires en ligne sur [cramertools.com](http://cramertools.com) ou avec l'application et en fournissant une preuve d'achat (reçu comportant la date d'achat).

## 12 DÉCLARATION DE CONFORMITÉ CE

Nom et adresse du fabricant :

Nom : Greenworks Tools Europe GmbH  
Adresse : Brunnenweg 17, 64331 Weiterstadt, Allemagne

Nom et adresse de la personne autorisée à compiler le dossier technique :

Nom : Ralf Pankalla  
Adresse : Brunnenweg 17, 64331 Weiterstadt, Allemagne

Nous déclarons ici que le produit

Catégorie : Tondeuse autoportée  
Modèle : 82LT107  
Numéro de série : Voir étiquette de caractéristiques du produit  
Année de construction : Voir étiquette de caractéristiques du produit

- est en conformité avec les dispositions pertinentes de la Directive Machine 2006/42/CE.
- est en conformité avec les dispositions des autres Directives CE suivantes :
  - 2014/30/UE
  - 2011/65/UE & 2015/863/UE

En outre, nous déclarons que les (parties /clauses de) normes européennes harmonisées suivantes ont été appliquées :

- EN 62841-1, EN ISO 5395-1, EN ISO 5395-3, EN ISO 14982, IEC 62321-3-1, IEC 62321-4, IEC 62321-5, IEC 62321-6, IEC 62321-7-1, IEC 62321-7-2, IEC 62321-8

Lieu et date : 11.11.2022

Signature : Ted Qu, Directeur Qualité

Ted Qu

<b>1</b>	<b>Descrição.....</b>	<b>129</b>	7.6	Manutenção da bateria.....	142
1.1	Vista pormenorizada.....	129	7.7	Manutenção do filtro do compartimento da bateria.....	143
1.2	Painel de controlo.....	129	7.8	Reparação.....	143
<b>2</b>	<b>Retirar a máquina da caixa.....</b>	<b>130</b>	<b>8</b>	<b>Transporte e armazenamento</b>	<b>144</b>
<b>3</b>	<b>Instalação.....</b>	<b>130</b>	8.1	Transporte.....	144
3.1	Instalar o assento.....	130	8.2	Limpeza e armazenamento.....	145
3.2	Instalar o volante.....	130	<b>9</b>	<b>Resolução de problemas.....</b>	<b>147</b>
3.3	Instale a tampa de adubar.....	131	<b>10</b>	<b>Características técnicas.....</b>	<b>150</b>
3.4	Rodas anti-scalp.....	131	<b>11</b>	<b>Garantia limitada.....</b>	<b>150</b>
3.5	Utilizar a aplicação.....	131	11.1	O que é abrangido por esta garantia.....	150
<b>4</b>	<b>Instruções de funcionamento</b>	<b>131</b>	11.2	Quem tem de efetuar o serviço ao abrigo da garantia.....	151
4.1	Antes da operação.....	131	11.3	O que não é abrangido por esta garantia.....	151
4.2	Operar a máquina.....	133	11.4	Cláusula de desresponsabilização da garantia.....	152
<b>5</b>	<b>Sistema elétrico.....</b>	<b>135</b>	11.5	Limitação de indemnização.....	152
5.1	Segurança do sistema elétrico.....	135	11.6	Limite de tempo.....	152
5.2	Informação do sistema elétrico.....	136	11.7	Sem garantias adicionais.....	152
5.3	Ecrã digital.....	136	11.8	Responsabilidade do proprietário.....	152
<b>6</b>	<b>Erros.....</b>	<b>136</b>	11.9	Distribuição dos riscos.....	152
6.1	Código de erro.....	138	11.10	Registo da garantia.....	152
<b>7</b>	<b>Manutenção.....</b>	<b>140</b>	<b>12</b>	<b>Declaração de Conformidade</b>	
7.1	Manutenção da lâmina do trator corta- relva.....	140	<b>CE.....</b>	<b>153</b>	
7.2	Substituir a luz.....	141			
7.3	Pneus.....	141			
7.4	Lubrificação.....	142			
7.5	Valores de binário.....	142			



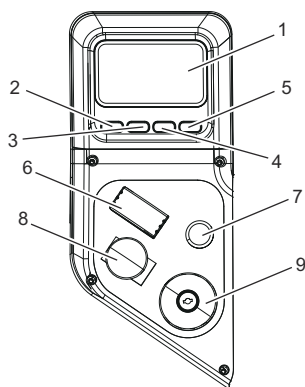
## 1 DESCRIÇÃO

### 1.1 VISTA PORMENORIZADA

Consulte a folha de imagens 1-20 em separado

- |  |                                   |
|--|-----------------------------------|
| 1 Alavanca de ajuste do assento              | 18 Placa de cobertura             |
| 2 Saída lateral de descarga                  | 19 Tampa de adubar                |
| 3 Pedal do travão                            | 20 Anel de rolamento              |
| 4 Painel de controlo                         | 21 Grampos de fixação             |
| 5 Alavanca de ajuste da altura da plataforma | 22 Número de série                |
| 6 Pedal do acelerador                        | 23 Código de emparelhamento       |
| 7 Alavanca do travão de estacionamento       | 24 Código QR                      |
| 8 Luzes                                      | 25 Compartimento da bateria       |
| 9 Suporte para copo                          | 26 Bateria                        |
| 10 Porta USB                                 | 27 Botão de libertação da bateria |
| 11 Rodas anti-scalp                          | 28 Lâmina                         |
| 12 Painel do assento                         | 29 Orifício de enchimento de óleo |
| 13 Ficha do assento                          | 30 Saída de drenagem do óleo      |
| 14 Veio da direcção                          | 31 Mangueira de jardim            |
| 15 Acoplador                                 | 32 Acoplador rápido               |
| 16 Coluna da direcção                        | 33 Porta de lavagem               |
| 17 Volante                                   |                                   |

### 1.2 PAINEL DE CONTROLO



Nº	Nome	Função
1	Ecrã digital	Este ecrã apresenta informação importante do sistema eléctrico. Consulte a secção elétrica para obter a informação completa.

Nº	Nome	Função
2	Controlador de velocidade do motor da lâmina / Voltar	Ajustar a velocidade da lâmina (cíclica) quando se encontra no ecrã inicial. Premir o botão para regressar à página anterior.
3	Navegação no menu / Página para cima	Voltar à última página visualizada no ecrã digital. Regressar ao ecrã inicial.
4	Interruptor da lâmpada / Página para baixo	Ligar/desligar as lâmpadas quando se encontra no ecrã inicial. Avançar para a página seguinte no ecrã digital.
5	Botão da velocidade de cruzeiro / Confirmar	Premir e manter premido durante mais de 0,4 s para ativar a função de velocidade de cruzeiro, premir o botão para confirmar.
6	Interruptor de controlo da direcção	O sentido de movimento do trator corta-relva é controlado com o interruptor de controlo da direcção. As configurações disponíveis são Avanço (D), Ponto-morto (N) e Marcha-atrás (R).
7	Botão de corte da relva em marcha-atrás	Para cortar em marcha-atrás, é necessário ativar o botão de corte da relva em marcha-atrás.
8	Interruptor da alimentação	O interruptor é utilizado para ligar e desligar o trator corta-relva. É necessário inserir a chave de ignição para poder utilizar o interruptor.
9	Interruptor de ligar/desligar as lâminas da plataforma (PTO)	Este interruptor ativa os motores das lâminas. Puxe o interruptor para cima para ativar, e pressione para baixo para libertar os motores.

### **i** IMPORTANTE

Nunca ative os motores das lâminas com a plataforma sob carga. Poderão ocorrer danos nos motores ou na plataforma.

## 2 RETIRAR A MÁQUINA DA CAIXA

### ▲ AVISO

Certifique-se de que monta corretamente a máquina antes da utilização.

### ▲ AVISO

- Se houver peças danificadas, não use a máquina.
- Se houver peças em falta, não utilize a máquina.
- Se houver peças danificadas ou em falta, contacte o centro de reparação.

1. Abra a caixa.
2. Leia a documentação fornecida na caixa.
3. Retire todas as peças desmontadas da caixa.
4. Retire a máquina da caixa.
5. Elimine a caixa e o material de empacotamento de acordo com as normas locais.

### ▲ AVISO

Para sua segurança pessoal, não insira a bateria antes de ter montado a ferramenta por completo.

## 3 INSTALAÇÃO

### 3.1 INSTALAR O ASSENTO

Consulte a imagem 3

1. Coloque o conjunto do assento sobre o painel do assento e alinhe os orifícios conforme apresentado.
2. Instale os parafusos, anilhas e porcas, e aperte bem.
3. Coloque as mangas nas porcas.
4. Certifique-se de que ficam bem colocados.
5. Ligue a ficha do assento à máquina.

### 3.2 INSTALAR O VOLANTE

Consulte a imagem 4-5

### i NOTA

Certifique-se de que as ranhuras estão voltadas para cima, na direção do assento.

1. Instale o veio da direção no acoplador, rodando conforme necessário para alinhar o orifício no veio com o orifício do parafuso no acoplador.
2. Instale dois parafusos e aperte bem.

### i NOTA

Aperte os parafusos para o valor indicado.

3. Instale a coluna da direção. Verifique as patilhas na parte inferior da coluna da direção que encaixam nos orifícios da abertura e certifique-se de que a coluna da direção encaixa devidamente.
4. Certifique-se de que as rodas do trator corta-relva estão totalmente voltadas para a frente e, de seguida, instale o volante na coluna da direção, exercendo força.
5. Instale o parafuso e a anilha; aperte bem.
6. Instale a placa de cobertura do volante.

## 3.3 INSTALE A TAMPA DE ADUBAR

Consulte a imagem 6

O trator corta-relva é fornecido configurado para descarga lateral. Se pretender adubar:

1. Coloque a tampa de adubar na aba da estrutura do trator corta-relva.
2. Alinhe os orifícios da tampa de adubar com os orifícios existentes na estrutura do trator corta-relva.
3. Coloque e aperte os parafusos, os grampos de fixação e o anel de rolamento como ilustrado.

## 3.4 RODAS ANTI-SCALP

Consulte a imagem 2

Os conjuntos de rodas anti-scalp são padrão em unidades Cramer. Estas rodas anti-scalp foram criadas para minimizar o escalpelamento quando cortar em terreno áspero e desnivelado. Após definir a altura de corte, ajuste as rodas anti-scalp de modo a estenderem-se por baixo da plataforma, mas sem entrarem em contacto com o chão. Estas deverão estar sempre a, pelo menos, 0,6 cm a 1,9 cm abaixo da plataforma. Com a unidade numa superfície plana e nivelada, a posição da roda pode ser ajustada para cima ou para baixo, conforme necessário, de 0,6 cm a 1,9 cm abaixo da superfície da lâmina. Mova as rodas para cima ou para baixo, usando os diferentes orifícios de montagem do eixo no suporte de fixação da roda (se aplicável no modelo).

## 3.5 UTILIZAR A APLICAÇÃO

Consulte a imagem 7-8

1. Visite o website da Fleet Management: [fleet.cramertools.com](http://fleet.cramertools.com)
2. Crie uma conta e inicie sessão.
3. Convide outros utilizadores na sua organização.
4. Leia o código QR, transfira a aplicação e inicie sessão.
5. Adicione um dispositivo. Encontre o número de série, o código de emparelhamento e o código QR na etiqueta de correspondência do veículo neste manual. Leia o código QR ou introduza-o manualmente.

# 4 INSTRUÇÕES DE FUNCIONAMENTO

## 4.1 ANTES DA OPERAÇÃO

### 4.1.1 AJUSTAR O ASSENTO

Consulte a imagem 9

Ajuste a posição do assento para se assegurar de que consegue utilizar corretamente o pedal do acelerador e do travão antes de utilizar o trator corta-relva.

1. Sente-se no assento e levante a alavanca de ajuste do assento.
2. Enquanto segura na alavanca, empurre o assento para a posição pretendida.
3. Solte a alavanca e certifique-se de que o assento está bloqueado na posição correta antes de utilizar o trator corta-relva.

### ▲ AVISO

Certifique-se de que o assento está bloqueado em posição antes de utilizar o trator corta-relva. Um assento que não está seguro pode fazer com que o operador mude de posição e perca o controlo do trator corta-relva, resultando em possível morte ou ferimentos pessoais graves.

### 4.1.2 AJUSTAR A ALTURA DE CORTE DA PLATAFORMA

Consulte a imagem 10

Antes de usar o trator corta-relva, aumente a altura da plataforma para a posição que for mais adequada para a sua relva.

A altura da plataforma é ajustada a partir de 3.81-11.4 cm. A plataforma deverá ser subida enquanto corta a relva, para evitar troncos, rochas e outros obstáculos que possam danificar a plataforma do trator corta-relva.

## ▲ CUIDADO

Segure firmemente na alavanca de ajuste da altura da plataforma durante o ajuste da altura da plataforma e liberte-a apenas quando estiver firmemente na ranhura pretendida. Soltar rapidamente a alavanca poderá criar um risco de beliscão ou puxão da mão do operador.

1. Pare o trator corta-relva e desative as lâminas.
2. Rode a chave para a posição de DESLIGAR e ative o travão de estacionamento.
3. Para subir a plataforma de corte, segure a alavanca de ajuste da altura da plataforma, empurre para a esquerda para soltá-la da ranhura, desloque-a na direção da parte de trás do trator corta-relva, e empurre para a direita para fixá-la na ranhura.
4. Para descer a plataforma de corte, segure a alavanca de ajuste da altura da plataforma, empurre para a esquerda para soltá-la da ranhura, desloque-a na direção da parte dianteira do trator corta-relva, e empurre para a direita para fixá-la na ranhura.

### 4.1.3 INSTALAR A BATERIA

Consulte a imagem 11

Para verificar se as baterias do trator corta-relva estão totalmente carregadas, verifique o indicador de nível da bateria. Consulte mais detalhes no manual da bateria.

1. Levante o painel do assento.
2. Levante a tampa do compartimento da bateria.
3. Instale as baterias no compartimento da bateria.

## ▲ AVISO

Alinhe as nervuras da bateria com a porta da bateria. Certifique-se de que a bateria encaixa sem problemas no compartimento da bateria.

### 4.1.4 ANTES DE UTILIZAR A MÁQUINA

- Certifique-se de que na área não se encontram crianças, adultos e animais.
- Limpe a área de objetos que possam ser arremessados pelas lâminas do trator corta-relva.
- Verifique o funcionamento dos travões.
- Verifique a pressão dos pneus.
- Verifique se existem fixadores soltos.
- Verifique se todas as proteções estão no lugar e a funcionar corretamente.
- Limpe os resíduos do trator corta-relva.
- Teste o sistema de bloqueio de segurança.
- Ajuste o assento para a posição desejada.
- Verifique o nível de carga da bateria.

### 4.1.5 SISTEMA DE BLOQUEIO DE SEGURANÇA

Consulte a imagem 12

Este trator corta-relva dispõe de um sistema de bloqueio de segurança para proteger o operador que desliga as lâminas se o operador sair do assento com as lâminas em funcionamento. Teste o sistema antes de cada utilização para se certificar de que está a funcionar corretamente.

1. Certifique-se de que o interruptor de controlo da direção está na posição de ponto-morto (N) e que o interruptor PTO está para baixo.
2. Introduza a chave de ignição e rode para a posição de ligar.
3. Solte o travão de estacionamento.
4. Levante o interruptor PTO para ativar as lâminas.
5. Levante-se brevemente do assento, mas não saia do trator corta-relva.

As lâminas devem desligar-se no prazo de 5 segundos. Caso contrário, entre em contacto com o centro de apoio ao cliente. Não utilize o trator corta-relva até que o sistema de bloqueio de segurança tenha sido reparado.

## 4.2 OPERAR A MÁQUINA

### 4.2.1 LIGAR A MÁQUINA

#### i NOTA

Afaste as pessoas da área antes de utilizar o trator corta-relva. Pare imediatamente e não volte a cortar a relva até que saia da área.

1. Eleve a plataforma do trator corta-relva até à posição mais elevada.
2. Introduza a chave de ignição e rode para a posição de ligar.
3. Empurre o interruptor de controlo da direção para a posição de ponto-morto (N).
4. Solte o travão de estacionamento.
5. Puxe o interruptor PTO da plataforma para cima para ligar as lâminas de corte para cortar a relva.
6. Empurre o interruptor de controlo da direção para na posição de avanço (D) e conduza a máquina até o local onde pretende cortar a relva.

#### i NOTA

Tenha cuidado ao atravessar caminhos de gravilha ou vias de circulação. Antes de atravessar, desative as lâminas e levante a plataforma de corte para a posição mais elevada para minimizar a possibilidade de ressalto. Conduza lentamente para evitar a perda de tração e controlo.

#### i NOTA

Não tente alterar a direção de funcionamento enquanto o trator corta-relva estiver em movimento. Pare sempre completamente antes de mudar a direção do trator corta-relva.

### 4.2.2 DEFINIR A VELOCIDADE DE CRUZEIRO

1. Enquanto conduz o trator corta-relva para a frente, pressione o pedal do acelerador até atingir a velocidade pretendida.
2. Prima o botão da velocidade de cruzeiro e mantenha premido mais de 0,4 s.
3. Liberte a pressão no pedal do acelerador. A velocidade do trator corta-relva deve permanecer constante.

### 4.2.3 REMOVER A VELOCIDADE DE CRUZEIRO

1. Toque no pedal do acelerador e pressione o pedal do travão.

### 4.2.4 ACIONAR O TRAVÃO DE ESTACIONAMENTO

1. Pressione totalmente e mantenha pressionado o pedal do travão.
2. Puxe a alavanca do travão de estacionamento para cima e segure-a.
3. Solte o pedal do travão.
4. Solte a alavanca do travão de estacionamento.

#### ▲ AVISO

Nunca deixe o trator corta-relva sem vigilância quando o motor estiver a trabalhar. Verifique se o travão de estacionamento está engatado e se a chave foi removida. Não engatar o travão de estacionamento pode fazer com que o trator corta-relva se desloque e deixar a chave pode permitir uma utilização não autorizada que pode resultar em ferimentos pessoais graves.

### 4.2.5 SOLTAR O TRAVÃO DE ESTACIONAMENTO

1. Pressione o pedal do travão para libertar o travão de estacionamento.

### 4.2.6 PARAR A MÁQUINA

1. Coloque o trator corta-relva numa superfície plana e nivelada.
2. Acione o travão de estacionamento.

- Empurre o interruptor PTO para baixo para desligar as lâminas.
- Rode a chave para a posição de desligar.

## 4.2.7 FUNCIONAMENTO NO MODO DE MARCHA-ATRÁS

Consulte a imagem 13

- Pressione o pedal do travão e pare completamente o trator corta-relva.
- Empurre o interruptor PTO para baixo para desligar as lâminas.
- Coloque o interruptor de controlo da direção na posição de marcha-atrás (R).
- Prima o botão de corte da relva em marcha-atrás.
- Levante o interruptor PTO, pressione lentamente o pedal do acelerador e efetue o corte da relva em marcha-atrás, conforme necessário.

### ▲ AVISO

Não corte relva em marcha-atrás, exceto se for absolutamente necessário. Olhe sempre para baixo e para trás antes e durante a marcha-atrás para garantir que não entram crianças, pessoas ou animais na área de corte. Lembre-se de que uma fração de segundo de distração é suficiente para causar morte ou ferimentos graves.

### ▲ AVISO

Tenha especial cuidado antes e ao fazer marcha-atrás com o kit ensacador (não fornecido) instalado, pois pode limitar a visibilidade. Olhe sempre atentamente para trás e para baixo para verificar se existem crianças pequenas, adultos e animais e desloque o trator corta-relva lentamente para evitar acidentes que possam causar morte ou ferimentos pessoais graves.

## 4.2.8 UTILIZAR A PORTA USB

Consulte a imagem 14

A porta de carregamento USB fornece uma potência de carregamento de 5 Volts CC a até 2,1 amperes para o seu telemóvel, leitor de MP3 ou outros dispositivos USB. Consulte o manual do utilizador do seu dispositivo para obter informações sobre os requisitos de carregamento específicos.

Ligue uma extremidade de um cabo USB (não fornecido) ao seu dispositivo e a outra extremidade à porta de carregamento USB do trator corta-relva, para começar a carregar o dispositivo.

### i NOTA

A tentativa de carregar dispositivos com uma classificação superior a 2,1 amperes pode danificar a porta de carregamento USB e/ou o trator corta-relva.

### i NOTA

A porta USB só tem corrente elétrica quando a máquina está ligada.

### ▲ AVISO

Nunca utilize auscultadores ou qualquer dispositivo eletrónico, como um smartphone ou tablet, durante a utilização do trator corta-relva. A distração durante a utilização pode resultar num acidente que pode provocar morte ou ferimentos pessoais graves ao operador ou a outras pessoas que se encontrem no local.

## 4.2.9 DICAS DE FUNCIONAMENTO

Consulte a imagem 15

- Mantenha as lâminas do trator corta-relva afiadas.
- Certifique-se de que o relvado está livre de pedras, paus, fios, brinquedos, frutos de casca rija, ramos de árvores e outros objetos que podem danificar as lâminas do trator corta-relva ou o motor. Não corte sobre estacas de propriedade ou outros postes metálicos. Estes objetos podem danificar a lâmina ou ser acidentalmente projetados pelo trator corta-relva em qualquer direção e causar ferimentos pessoais graves ao operador e a outros.
- Para um relvado saudável, corte sempre um terço ou menos do comprimento total da relva.

- Ao cortar grandes áreas, comece por virar para a direita para que os restos de relva cortada sejam descarregados para longe de arbustos, cercas, caminhos, etc. Após uma ou duas voltas, corte na direção oposta, fazendo curvas à esquerda até terminar.
- Corte de modo a que os restos de relva cortada descarregados saiam na direção da área do relvado que já foi cortada.
- Ao cortar relva maciça, reduza a velocidade para permitir um corte mais eficaz e uma descarga adequada dos restos de relva cortada.
- **Durante um corte normal**, corte apenas 38 mm da altura da relva. Cortar mais do que isso não é recomendado, a não ser que a relva seja escassa ou estiver no final da estação de corte.
- Não corte relva molhada. Esta irá ficar presa na parte inferior da plataforma e impedir o ensacamento adequado ou a trituração dos restos de relva cortada.
- Relva nova ou espessa pode exigir um corte mais estreito ou uma altura de corte mais elevada.
- Mantenha a plataforma do trator corta-relva e a saída lateral de descarga limpas. Remova restos de relva cortada, folhas, terra e quaisquer outros resíduos acumulados antes e depois de cada utilização. Não utilize uma mangueira de jardim para limpar.

## i NOTA

Pare sempre o trator corta-relva, deixe que as lâminas parem completamente e retire a chave de ignição antes de limpar por baixo do trator corta-relva.

PT

### 4.2.10 FUNCIONAMENTO EM ENCOSTAS

Consulte a imagem 16

As encostas são um fator importante relacionado com acidentes de perda de controlo e capotamento, que podem resultar em ferimentos graves ou morte. A utilização em todo o tipo de encostas requer atenção adicional. Se não for possível fazer marcha-atrás na encosta ou se sentir inseguro fazê-lo, não corte a relva na encosta.

- Desloque-se na direção recomendada pelo fabricante nas encostas. Tenha cuidado ao utilizar a máquina perto de fossos.
- Não utilize a máquina em qualquer situação em que a tração, direção ou estabilidade sejam um problema. Os pneus podem derrapar mesmo que as rodas estejam paradas.
- Mantenha sempre a máquina engrenada durante a descida de encostas. Não desça a encosta sem a máquina engrenada.
- Corte para cima e para baixo em encostas, e não de lado.
- Evite buracos, raízes, montes, pedras ou outros objetos ocultos. A relva comprida pode esconder objetos.
- Não corte a relva perto de fossos, valas ou aterros. A máquina pode capotar repentinamente se uma roda passar sobre a borda ou se a borda ceder.
- Escolha uma velocidade de deslocação baixa para que não tenha de parar ou mudar de direção enquanto estiver numa encosta.
- Não corte a relva molhada. Os pneus podem perder tração.
- Evite arrancar, parar ou virar numa encosta. Se os pneus perderem tração, liberte as lâminas e desça lentamente e a direito a encosta.
- O movimento em encostas deverá ser lento e gradual. Não faça mudanças bruscas na velocidade ou direção, pois poderá resultar em capotamento da máquina.
- Tenha muito cuidado enquanto utiliza a máquina com acessórios. Estes podem afetar a estabilidade da máquina. Não utilize em encostas com declive acentuado.
- Se utilizar o kit de ensacador opcional, tenha muito cuidado e conduza o trator corta-relva lentamente durante a utilização em encostas, uma vez que o kit ensacador pode alterar a estabilidade do trator corta-relva.
- Utilize sempre os travões ao descer a encosta. Não tente descer a encosta com o trator corta-relva em ponto-morto.

## 5 SISTEMA ELÉTRICO

### 5.1 SEGURANÇA DO SISTEMA ELÉTRICO

- Retire a chave e as baterias e leia o manual do utilizador antes de ajustar ou reparar a unidade.

# Português

- Retire sempre a chave e as baterias antes de trabalhar nesta unidade.
- Retire sempre a chave e as baterias quando transportar a unidade.
- Mantenha a unidade sem restos de relva cortada, folhas e outros resíduos. NÃO pulverize água para limpar a unidade. Use apenas ar comprimido. Use proteção auditiva e ocular adequada quando limpar a unidade.
- Use sempre óculos de segurança e equipamento de proteção perto da bateria. Use ferramentas isoladas.
- Limpe o compartimento da bateria, compartimento do motor condutor, plataforma do trator, assento, etc., de toda a sujidade e resíduos. Não utilize solventes, produtos de limpeza fortes ou abrasivos.
- Com a chave na posição de ligar, a lâmina do trator corta-relva pode ser ativada quando o interruptor de ligar/desligar as lâminas da plataforma (PTO) for ativado, mesmo quando o motor condutor não está a funcionar. Mantenha outras pessoas afastadas da área quando ativar o interruptor de ligar/desligar as lâminas da plataforma.
- Todas as áreas de manutenção e armazenamento deverão ser devidamente ventiladas, de acordo com os códigos de proteção contra incêndio aplicáveis e os decretos para evitar o perigo de incêndio.
- Nunca permita chamas, faíscas ou fumo perto da bateria.
- Mantenha as pilhas fora do alcance das crianças.
- Mantenha sempre as proteções e coberturas no lugar e bem apertadas. Se ficarem danificadas, repare-as ou substitua-as imediatamente. Nunca modifique nem retire os dispositivos de segurança.

## 5.2 INFORMAÇÃO DO SISTEMA ELÉTRICO

O trator corta-relva Cramer é alimentado por um sistema elétrico de 82 volts. É composto pelos seguintes componentes:

1. Lâmina e controlador de condução (1)
2. Motor da lâmina (2)
3. Acelerador (1)
4. Ecrã digital (1)
5. Motor da roda (1)
6. Compartimento da bateria (1)

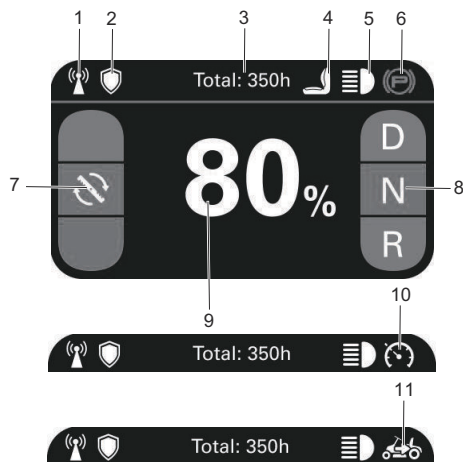
## 5.3 ECRÃ DIGITAL

A função do ecrã digital, localizado no painel de controlo, é fornecer informação do sistema elétrico ao

## 6 ERROS

O sistema CANBUS tomará medidas para proteger o utilizador e a máquina quando detetar um problema. Quando este sistema desliga a máquina ou um componente, indicará que ocorreu um erro e esse erro será exibido no ecrã

operador. Oferece informação detalhada na forma de padrões, códigos e números.



Nº	Nome	Função
1		Sinal de GPS 4G
2		GreenShield
3	Total: 350 h	Tempo de funcionamento do veículo
4		O interruptor do assento está fechado.
5		Luzes LED
6		O travão de estacionamento está engatado.
7		Velocidade da lâmina
8	D/N/R	Direção de condução: Avanço (D), Ponto-morto (N) e Marcha-atrás (R).
9	80%	Porcentagem da bateria
10		Velocidade de cruzeiro
11		O modo de corte da relva em marcha-atrás está ativado.



## Português

digital. Todos os erros elétricos apresentam um código com letras seguido de um número. A primeira letra descreve o sistema que causou o erro de acordo com este gráfico:

<b>Nome</b>	<b>Significado</b>
T	Controlador e motor de condução
PMU	Unidade de gestão de energia (no compartimento da bateria)
ML	Controlador do motor da lâmina esquerda
MR	Controlador do motor da lâmina direita
V	Veículo

PT

## 6.1 CÓDIGO DE ERRO

Código de erro	Descrição	Solução
T11	Sobretensão	A tensão é demasiado elevada. Reinicie a fonte de alimentação.
T12	Subtensão	A tensão é demasiado baixa. Carregue a bateria antes da utilização.
T13	Erro de autoteste do controlador	Se surgir este problema, contacte o seu distribuidor para obter uma solução.
T14	Motor condutor parado	Verifique se as rodas condutoras estão presas e volte a ligar a fonte de alimentação.
T15	Erro do codificador do motor	Verifique se o conector de efeito Hall do controlador de condução está corretamente ligado e, de seguida, reinicie a fonte de alimentação.
T16	Erro no circuito do controlador	Se surgir este problema, contacte o seu distribuidor para obter uma solução.
T17	Sobretensão da peça de condução do controlador	A temperatura do controlador é demasiado elevada. Aguarde que o controlador arrefeça e, de seguida, reinicie a fonte de alimentação.
T18	Sobreaquecimento do motor condutor	A temperatura do motor é demasiado elevada. Aguarde que o motor arrefeça e, de seguida, reinicie a fonte de alimentação.
T21	Sensor de temperatura do motor condutor com anomalia	Verifique a cablagem do sensor de temperatura quanto a anomalias.
T22	Sobrecorrente do hardware da peça de condução do controlador	A carga é demasiado elevada. Reinicie a fonte de alimentação.
T23	Erro de pré-carregamento	Reinicie a fonte de alimentação.
T25	Sobrecorrente do software de acionamento	A carga é demasiado elevada. Reinicie a fonte de alimentação.
T26	Erro de condução MOS	Se surgir este problema, contacte o seu distribuidor para obter uma solução.
T27	Perda de fase do motor	Verifique se os cabos do motor do controlador de condução estão corretamente ligados e, de seguida, reinicie a fonte de alimentação.
T28	Sobretensão do controlador de condução	A temperatura do controlador é demasiado elevada. Aguarde que o controlador arrefeça e, de seguida, reinicie a fonte de alimentação.
V14	Sequência de funcionamento do corte da relva em marcha-atrás incorreta	Prima o botão de corte da relva em marcha-atrás antes de cortar a relva em marcha-atrás.
V15	Erro de autoteste do veículo	<ol style="list-style-type: none"> <li>1. Antes de ligar o veículo, verifique se o travão está na posição engatada.</li> <li>2. Antes de ligar o veículo, coloque o interruptor do cortador na posição de desligar e verifique se o interruptor do cortador está corretamente ligado.</li> <li>3. Antes de ligar o veículo, coloque a alavanca de velocidades FNR na posição N.</li> <li>4. Verifique se a ficha por baixo do assento está corretamente ligada.</li> </ol>

# Português

Código de erro	Descrição	Solução
		5. Não prima o botão da velocidade de cruzeiro ao ligar o veículo. 6. Não pressione o pedal do acelerador ao ligar o veículo.
V16	Sequência de funcionamento incorreta	Volte a colocar o acelerador e o interruptor da lâmina nas respetivas posições iniciais.
V17	Erro de comunicação SPI	Reinicie a fonte de alimentação.
V18	Falha no compartimento da bateria (PMU)	Verifique se os cabos do acelerador estão corretamente ligados e reinicie a fonte de alimentação.
V22	sinal da lâmina anormal	Verifique se o interruptor de ativação da lâmina está corretamente ligado e, de seguida, volte a colocar o interruptor na posição inicial.
V21	Erro de comunicação CAN PMU	A comunicação com o compartimento da bateria excedeu o tempo limite. Reinicie a fonte de alimentação.
V23	Interruptor de presença do operador com anomalia	Verifique se o conetor sob o assento está corretamente ligado e, de seguida, reinicie a fonte de alimentação.
ML3	Sobrecorrente do software da lâmina esquerda	Verifique a carga do trator corta-relva e volte a ligar a fonte de alimentação.
ML4	Lâmina esquerda parada	Verifique a carga de corte e volte a colocar o interruptor de ativação das lâminas na sua posição inicial.
ML6	Erro MOS da lâmina esquerda	Se surgir este problema, contacte o seu distribuidor para obter uma solução.
ML7	Perda de fase do motor da lâmina esquerda	Verifique se o controlador da lâmina e os cabos do motor estão corretamente ligados e, de seguida, reinicie a fonte de alimentação.
ML9	Temperatura do controlador da lâmina esquerda anormal	A temperatura do controlador é demasiado elevada. Aguarde que o controlador arrefeça e, de seguida, reinicie a fonte de alimentação
ML14	Sobrecorrente do hardware da lâmina esquerda	Verifique a carga do trator corta-relva e volte a ligar a fonte de alimentação.
ML15	Falha ao iniciar a lâmina esquerda	Verifique a carga de corte e volte a colocar o interruptor de ativação das lâminas na sua posição inicial.
MR3	Proteção de baixa velocidade do motor	Verifique a carga do trator corta-relva e volte a ligar a fonte de alimentação.
MR4	Proteção de velocidade excessiva do motor	Verifique a carga de corte e volte a colocar o interruptor de ativação das lâminas na sua posição inicial.
MR6	Erro do sensor Hall do motor	Se surgir este problema, contacte o seu distribuidor para obter uma solução.
MR7	Perda de fase do controlador	Verifique se o controlador da lâmina e os cabos do motor estão corretamente ligados e, de seguida, reinicie a fonte de alimentação.
MR9	Erro de circuito aberto MOSFET	A temperatura do controlador é demasiado elevada. Aguarde que o controlador arrefeça e, de seguida, reinicie a fonte de alimentação.
MR14	Subtensão do controlador	Verifique a carga do trator corta-relva e volte a ligar a fonte de alimentação.
MR15	Sobretensão do controlador	Verifique a carga de corte e volte a colocar o interruptor de ativação das lâminas na sua posição inicial.

PT

Código de erro	Descrição	Solução
PMU10	Erro de circuito aberto da bateria	A temperatura do compartimento da bateria e da bateria é demasiado baixa. Utilize a máquina a uma temperatura adequada e reinicie a fonte de alimentação.
PMU11	Erro grave da PMU	A temperatura do compartimento da bateria e da bateria é demasiado elevada. Aguarde até que a bateria arrefeça e, de seguida, reinicie a fonte de alimentação.
PMU12	Erro secundário da PMU	Um erro grave no compartimento da bateria impediu o arranque dos sistemas de condução e das lâminas. Reinicie a fonte de alimentação e tente novamente.
PMU13	Sem baterias disponíveis	Verifique se está a utilizar as baterias corretas e, de seguida, reinicie a fonte de alimentação.
PMU	Baterias insuficientes disponíveis, a funcionalidade pode ser limitada.	Coloque mais baterias.
NA	Erro de comunicação do ecrã	Verifique as peças de ligação do ecrã e a rede CAN.
	Ecrã incorreto selecionado	Selecione o ecrã correto para o modelo do seu veículo

## 7 MANUTENÇÃO

### 7.1 MANUTENÇÃO DA LÂMINA DO TRATOR CORTA-RELVA

Verifique diariamente as lâminas do trator corta-relva. Estas são vitais para a eficiência e para uma relva bem cortada. Mantenha-as afiadas — uma lâmina romba rasga em vez de cortar a relva, deixando um topo rasgado castanho na relva passadas algumas horas. Uma lâmina romba também requer mais energia. Substitua qualquer lâmina que esteja dobrada, rachada ou partida.

#### ▲ AVISO

Nunca tente endireitar uma lâmina dobrada através de aquecimento, nem soldar uma lâmina rachada ou partida, pois a lâmina pode partir e causar ferimentos sérios. Substitua as lâminas gastas ou danificadas.

#### ▲ AVISO

Nunca trabalhe com as lâminas enquanto a chave estiver no interruptor da ignição. Rode a chave para a posição de desligar e retire as baterias da máquina. Bloqueie o trator corta-relva quando tiver de fazer trabalhos por baixo dele. Use luvas quando manusear as lâminas. Verifique sempre se a lâmina tem danos se o trator corta-relva bater contra uma rocha, ramo ou outro objeto estranho!

#### ▲ PERIGO

Pode fazer um afiar superficial com uma lima. Verifique se as lâminas estão equilibradas após serem afiadas. Está disponível comercialmente uma ferramenta de equilíbrio em grande parte das lojas de ferragens, ou pode fazer o equilíbrio colocando a lâmina num ferro de punção invertido ou parafuso de 12,7 mm (1/2"). A lâmina não deverá ficar inclinada. Enquanto gira a lâmina lentamente, esta não deverá oscilar. Se a lâmina estiver desequilibrada, equilibre-a antes de a voltar a instalar. Coloque a lâmina numa superfície plana e verifique se existem distorções. Substitua qualquer lâmina distorcida.

#### ▲ AVISO

- A parte curva da lâmina tem de ficar virada para cima na direção do interior da plataforma, para garantir um corte adequado.
- Quando montar lâminas, rode-as após a instalação, para se certificar de que as pontas das lâminas não tocam uma na outra nem nas partes laterais do trator corta-relva.
- Um binário de aperto errado do parafuso pode dar origem à perda da lâmina, o que pode causar ferimentos graves.
- As lâminas da máquina estão afiadas e podem cortar. Use luvas e tenha muito cuidado quando proceder à manutenção delas.

## 7.1.1 SUBSTITUIÇÃO DA LÂMINA

Consulte a imagem 17

1. Pare o motor, retire a chave de ignição e acione o travão de estacionamento.
2. Eleve a altura da plataforma de corte até à posição mais elevada para permitir o acesso às lâminas.

### i NOTA

Se necessário, levante o trator corta-relva colocando-o num elevador ou utilizando um macaco e suportes, ou retire a plataforma de corte conforme descrito na secção anterior para obter acesso às lâminas.

### ▲ AVISO

Se levantar o trator corta-relva para aceder às lâminas, certifique-se de que o trator corta-relva está devidamente fixo e de que o travão de estacionamento está engatado antes de continuar. A não fixação adequada do trator corta-relva pode provocar a sua queda, resultando em morte ou em possíveis ferimentos pessoais graves.

3. Coloque um bloco de madeira entre a lâmina e a plataforma do trator corta-relva para evitar que a lâmina rode.
4. Desaperte a porca da lâmina rodando-a no sentido inverso ao dos ponteiros do relógio (visto a partir da parte inferior do trator corta-relva) com uma chave de 16 mm ou uma chave de caixa (não fornecida).
5. Retire a porca da lâmina, o espaçador, o isolador da lâmina e a lâmina.
6. Enrosque a porca da lâmina no veio e aperte manualmente.
7. Aperte a porca da lâmina no sentido dos ponteiros do relógio com uma chave dinamométrica (não fornecida) para garantir que o parafuso está devidamente apertado. O binário recomendado para a porca da lâmina é de 90 N.m~100 N.m.

### ▲ AVISO

Certifique-se de que a lâmina está devidamente encaixada e que a porca da lâmina está apertada de acordo com as especificações de binário acima. A não fixação adequada da lâmina poderá fazer com que esta se solte e resultar em possíveis ferimentos pessoais graves.

8. Repita com a segunda lâmina, se necessário.

### i NOTA

Certifique-se de que todas as peças são substituídas pela ordem exata em que foram removidas.

## 7.2 SUBSTITUIR A LUZ

Consulte a imagem 18

Contacte o centro de apoio ao cliente ou visite nosso website online para encomendar uma nova luz.

1. Estacione o trator corta-relva numa superfície nivelada e engate o travão de estacionamento.
2. Desligue o motor e retire a chave de ignição.
3. Retire e guarde o parafuso de cabeça sextavada e a anilha plana que fixam o painel do piso do trator corta-relva no devido lugar.
4. Levante ligeiramente o painel do piso para aceder aos dois parafusos de cabeça sextavada e às anilhas planas que fixam a luz no devido lugar. Remova os parafusos e as anilhas e reserve.
5. Desinstale a luz antiga e elimine-a.
6. Instale a nova luz e volte a instalar as anilhas e os parafusos. Aperte bem.
7. Desça o painel do piso e reinstale a anilha e o parafuso para fixar.

## 7.3 PNEUS

É importante para um corte nivelado que todos os pneus tenham a pressão correta do ar. As pressões recomendadas são:

# Português

## i NOTA

A pressão do pneu só deverá ser medida ou ajustada quando os pneus estiverem frios.

Rodas condutoras	8 psi
Rodas oscilantes dianteiras	24 psi

## i NOTA

Inspeccione os pneus diariamente. Substitua-os imediatamente se estiverem danificados.

## ▲ AVISO

Verifique cuidadosamente a pressão dos pneus enquanto os enche. Demasiado ar nos pneus pode fazer com que rebentem, causando ferimentos sérios.

PT

## 7.4 LUBRIFICAÇÃO

Consulte a imagem 19

Adicione óleo antes de utilizar.

Tipo de óleo	SAE85W-140
Capacidade de óleo	180 ml

Contacte o seu revendedor Cramer para substituir o lubrificante.

## i NOTA

Substitua o óleo da caixa de engrenagens depois de utilizar a máquina durante 50 horas pela primeira vez e, de seguida, substitua o óleo a cada 200 horas.

## 7.5 VALORES DE BINÁRIO

## ▲ AVISO

Preste especial atenção ao aperto das porcas das rodas condutoras e parafusos do eixo da lâmina. Um binário errado destas peças pode dar origem à perda de uma roda ou lâmina, o que pode causar danos sérios ou ferimentos.

Os valores de binário são apresentados abaixo:

Peça	Pés-lb.	Nm
Porcas da roda	89	120
Parafuso do eixo da lâmina	66	90

**Apenas porcas da roda** -Recomendamos que estas sejam verificadas, inicialmente, após as 2 primeiras horas de funcionamento, depois, a cada 100 horas e após a remoção para reparação ou substituição.

## 7.6 MANUTENÇÃO DA BATERIA

O seu trator corta-relva Cramer é alimentado por baterias que, quando devidamente mantidas, irão proporcionar anos de vida útil. Para um cuidado adequado, siga as seguintes instruções:

- Carregue sempre as baterias após cada utilização.
- Sempre que as baterias estejam completamente descarregadas e desligadas, deve carregá-las o quanto antes. A sobrecarga das baterias reduz a duração das mesmas, podendo ficar permanentemente danificadas. Não precisa de a carregar por completo. Até é benéfico que carregue a bateria apenas durante 5 a 10 minutos. É melhor recarregá-la no prazo de 24 horas.
- Não permita a acumulação de relva, terra e resíduos perto dos terminais da bateria e na área da bateria.

- Carregue as baterias no interior num local bem ventilado e seco, longe de faíscas ou chamas. Nunca exponha o carregador a chuva, vapor ou líquido.
- Carregue apenas baterias de lítio fornecidas pela Cramer.
- Não toque na parte não isolada do carregador (pinos do terminal) ou no conector de saída.
- Não use com cabos e fios defeituosos. Substitua cabos e fios defeituosos imediatamente.
- Para um armazenamento prolongado, certifique-se de que a temperatura de armazenamento é de -20 °C a 45 °C no espaço de um mês, e de 0 °C a 35 °C entre dois e dozes meses.
- O ambiente de funcionamento das baterias é de -20 °C a 55 °C para descarga e 0 °C a 55 °C para carga.

## 7.7 MANUTENÇÃO DO FILTRO DO COMPARTIMENTO DA BATERIA

Substitua o filtro do compartimento da bateria a cada 200 horas.

## 7.8 REPARAÇÃO

### i IMPORTANTE

Espere que a máquina pare por completo antes de efetuar ajustes, limpeza ou reparação. As reparações ou manutenção que necessitem de energia deverão ser efetuadas apenas por técnicos de manutenção com formação. Leia e siga os avisos de segurança na parte da frente do manual.

### i IMPORTANTE

As reparações ou manutenção que necessitem de energia deverão ser efetuadas apenas por técnicos de manutenção com formação.

- Estacione o trator corta-relva numa superfície nivelada. Certifique-se de que as alavancas de controlo da direção estão na posição de ponto-morto e que o interruptor PTO está na posição de desligar. Levante a plataforma, rode a chave para a posição de desligar, retire a chave do interruptor e retire as baterias do compartimento da bateria sob o assento.
- Qualquer operação de manutenção que requeira a remoção das coberturas de segurança tem de ser efetuada por um técnico com formação.
- Use um pau ou um instrumento semelhante para limpar por baixo do trator corta-relva, certificando-se de que nenhuma parte do corpo, especialmente os braços e as mãos, se encontra por baixo do trator corta-relva.
- Mantenha a máquina limpa e retire quaisquer depósitos de lixo e de relva cortada.
- Mantenha o compartimento da bateria, a plataforma e a estação do operador limpos, sem lixo acumulado, relva cortada e outros detritos.
- Limpe o compartimento da bateria, compartimento do motor condutor, plataforma do trator, assento, etc., de toda a sujidade e resíduos. Para limpar, use apenas ar comprimido. NÃO utilize água, solventes, produtos de limpeza fortes ou abrasivos.
- Use sempre proteção ocular adequada quando reparar as baterias ou quando afiar as lâminas do trator corta-relva ou retirar os detritos acumulados. Nunca tente fazer quaisquer ajustes ou reparações no sistema condutor do trator corta-relva, plataforma ou qualquer acessório enquanto o sistema de tração estiver a funcionar. As reparações ou manutenção que necessitem de energia deverão ser efetuadas apenas por técnicos de manutenção com formação.
- Nunca efetue trabalhos debaixo da máquina ou do acessório, a menos que sejam devidamente apoiados em suportes por suportes. Certifique-se de que a máquina está segura quando elevada e colocada em cima de suportes.
- Os suportes não deverão permitir que a máquina se mova quando o sistema de tração estiver a funcionar e as rodas condutoras estiverem a rodar. Use apenas suportes certificados. Use apenas suportes adequados, com uma taxa mínima de peso de 907,2 kg para bloquear a unidade. Use apenas aos pares. Siga as instruções de fornecidas com os suportes do veículo.
- Não toque nas peças quentes da máquina.
- Mantenha as porcas e parafusos apertados, especialmente os parafusos de fixação da lâmina. Mantenha o equipamento em bom estado de funcionamento.
- Nunca altere os dispositivos de segurança. Verifique o seu funcionamento correto regularmente.
- Rode a chave para a posição de desligar antes de desobstruir a saída de descarga.

- Nunca limpe a saída de descarga com a máquina a funcionar. Rode a chave para a posição de desligar e certifique-se de que as lâminas pararam antes de limpar. Use um pau para limpar uma área de descarga. Nunca faça isso com as mãos!
- Pare a unidade e permita que as lâminas parem por completo antes de desobstruir a saída. Os componentes do sistema de recolha da relva estão sujeitos a desgaste, danos e deterioração, o que pode expor as peças móveis ou permitir que objetos sejam atirados. Verifique frequentemente os componentes e substitua-os por peças recomendadas pelo fabricante sempre que necessário.
- Tenha cuidado quando efetuar trabalhos debaixo da plataforma, pois as lâminas estão extremamente afiadas. Use luvas e tenha muito cuidado quando proceder à manutenção delas.
- Utilize apenas peças genuínas do trator corta-relva Cramer para garantir a manutenção dos padrões originais.
- Retire sempre as baterias quando transportar a unidade. Mantenha a unidade sem restos de relva cortada, folhas e outros resíduos.
- Verifique o funcionamento dos travões frequentemente. Ajuste e efetue a manutenção conforme necessário.
- Proceda à manutenção ou substitua as etiquetas de instruções e de segurança conforme necessário.
- A manutenção do seu trator corta-relva deverá ser sempre efetuada por pessoas qualificadas, utilizando apenas peças de substituição idênticas. Tal irá assegurar que a segurança do trator corta-relva é mantida.
- Recarregue apenas com o carregador especificado pelo fabricante. Um carregador que seja adequado a um tipo de bateria pode criar um risco de incêndio quando usado com outra bateria.

## 8 TRANSPORTE E ARMAZENAMENTO

### 8.1 TRANSPORTE

#### ▲ AVISO

Tenha especial cuidado ao carregar ou descarregar a máquina num reboque. Prima o botão de baixa velocidade de condução e desloque cuidadosamente as alavancas condutoras, conforme necessário, para controlar a velocidade. Carregue sempre o reboque com o trator corta-relva em marcha-atrás. Ao carregar ou descarregar o trator corta-relva, não exceda o ângulo máximo de inclinação recomendado de 15°. O não cumprimento destas instruções pode resultar em perda de controlo e provocar morte, ferimentos pessoais graves ou danos materiais.

#### ▲ AVISO

Tenha cuidado ao carregar ou descarregar o trator corta-relva num reboque. Certifique-se de que a plataforma de corte está elevada na posição mais elevada, de modo a não ficar presa na rampa. As rodas do trator corta-relva podem sair da rampa ou do reboque, fazendo com que o trator corta-relva rode ou capote, resultando em risco de esmagamento que pode provocar morte ou ferimentos pessoais graves.

1. Estacione o trator corta-relva numa superfície nivelada.
2. Eleve a plataforma de corte até à posição mais elevada.
3. Posicione e fixe a rampa ao reboque de acordo com as instruções do fabricante.

#### i NOTA

Recomendamos a utilização de uma rampa de carga de largura total que seja, pelo menos, 30 cm mais larga do que o trator corta-relva para minimizar o risco de as rodas do trator corta-relva resvalarem da parte lateral da rampa.

4. Recue lentamente o trator corta-relva para a rampa e para o reboque.
5. Baixe completamente a plataforma do trator corta-relva.
6. Acione o travão de estacionamento.
7. Desligue o trator corta-relva e retire a chave.
8. Fixe o trator corta-relva conforme necessário utilizando cintas ou cabos, para evitar o movimento durante o transporte.

#### ▲ AVISO

Para evitar um arranque acidental ou movimento que possa resultar em ferimentos pessoais graves, retire sempre a chave de ignição e acione o travão de estacionamento ao transportar o trator corta-relva.



## 8.2 LIMPEZA E ARMAZENAMENTO

### 8.2.1 LIMPAR A MÁQUINA

- Remova qualquer acumulação de relva e folhas na ou à volta da cobertura do motor (não utilize água de uma pistola de alta pressão para lavar o motor).
- Limpe ocasionalmente o trator corta-relva com um pano seco.
- Se se acumularem resíduos na parte inferior do trator corta-relva durante a utilização, pare o motor, desligue a máquina e limpe com uma ferramenta adequada.

### 8.2.2 LIMPE A PLATAFORMA DO TRATOR CORTA-RELVA

Consulte a imagem 20

- Coloque o travão de estacionamento nas ranhuras de estacionamento.
- Ajuste a altura da plataforma do trator corta-relva para a posição mais baixa.
- Fixe o acoplador rápido da porta de lavagem fornecido à mangueira de jardim.
- Fixe a mangueira de jardim com o acoplador rápido na porta de lavagem na plataforma do trator corta-relva. A porta de lavagem encontra-se no lado esquerdo da plataforma do trator corta-relva.
- Ligue a água.
- Puxe o interruptor PTO para ligar as lâminas de corte do trator corta-relva e ajuste a velocidade das lâminas para o máximo.
- Lave a parte inferior da plataforma com a água durante, aproximadamente, um minuto.
- Desengate as lâminas de corte, empurrando o interruptor PTO para baixo.
- Desligue a água e remova a mangueira de jardim e o acoplador rápido da porta de lavagem.
- Retire o acoplador rápido da mangueira de jardim e guarde-o para futura utilização.
- Desligue completamente o trator corta-relva.

### 8.2.3 GUARDAR A MÁQUINA

Deverá seguir os passos seguintes para preparar a máquina para ser guardada.

- Limpe a máquina conforme descrito na secção anterior.
- Inspeccione a lâmina e substitua-a ou afie-a, se necessário (consulte a secção Manutenção).
- Não guarde a máquina junto a materiais corrosivos, como fertilizantes ou sal grosso.
- Mantenha a máquina fora do alcance das crianças.
- Não cubra a máquina com uma película de plástico sólida. Os revestimentos plásticos acumulam humidade à volta da máquina, o que causa ferrugem e corrosão.
- Verifique atentamente se existem peças gastas ou danificadas que tenham de ser substituídas e encomende-as ao seu revendedor.
- Contacte o centro de reparação quando tiver de lubrificar a máquina de forma aprofundada.
- Carregue por completo e faça a manutenção das baterias.
- Não esvazie os pneus.
- A máquina deverá ser guardada num local bem ventilado, limpo e seco, pois o carregador da bateria não pode ser utilizado num ambiente húmido.
  - Mantenha sempre as baterias completamente carregadas. É especialmente importante evitar danos na bateria quando a temperatura for inferior a 0 °C.
  - Fixe o adaptador do carregador na porta de carregamento e as baterias conforme a secção do adaptador do carregador na secção do sistema elétrico.
  - Ligue o carregador a uma tomada elétrica adequada. Consulte as partes referentes ao carregador da bateria, carregamento da bateria e recomendações de carregamento na secção do sistema elétrico para obter mais detalhes sobre como usar o carregador e carregar as baterias.
  - Para maximizar o tempo de vida da bateria, recomenda-se carregar as baterias por completo pouco tempo depois de cada utilização.

### 8.2.4 PREPARAR PARA UTILIZAÇÃO APÓS ARMAZENAMENTO

Deverá seguir os passos seguintes antes de utilizar o trator corta-relva depois de ter estado armazenado:

## Português

- Carregue totalmente as baterias.
- Verifique a pressão dos pneus e encha conforme necessário.
- Conduza por breves instantes o trator corta-relva e verifique todos os sistemas e componentes para se certificar de que estão a funcionar corretamente.

PT

## 9 RESOLUÇÃO DE PROBLEMAS

PROBLEMA	POSSÍVEIS CAUSAS	SOLUÇÃO
O veículo não se move.	As baterias não estão no compartimento da bateria ou não estão a ser utilizadas baterias designadas pela Cramer.	Para assegurar o funcionamento normal do veículo, deve ser colocada no compartimento da bateria, pelo menos, 1 bateria designada pela Cramer.
	As baterias não estão carregadas.	Verifique a alimentação das baterias.
	Ninguém está sentado no assento ou o interruptor de presença do operador não está fechado.	Certifique-se de que o condutor está sentado no assento.
	O travão de estacionamento está engatado.	Certifique-se de que desengata totalmente o travão de estacionamento, para que as rodas possam rodar livremente.
	O compartimento da bateria está em estado inativo.	Rode a chave de ignição para a posição de desligar e aguarde mais de 5 segundos antes de voltar a ligar a máquina.
Avaria súbita durante a condução	A bateria não está carregada.	Para assegurar o funcionamento normal de todo o veículo, deve ser colocada no compartimento da bateria, pelo menos, 1 bateria designada pela Cramer e assegurar que as baterias estão carregadas.
	Estradas irregulares e acidentadas, resultando na desconexão do interruptor de presença do operador.	Engate o travão de estacionamento, reinicie a máquina e empurre o joystick.
	Avaria no pedal acelerador.	Entre em contacto com o serviço pós-venda da Cramer.
	O controlador de condução falhou.	Entre em contacto com o serviço pós-venda da Cramer.
A lâmina não funciona depois de puxar o interruptor PTO.	As baterias designadas pela Cramer não estão no compartimento da bateria.	Para assegurar o funcionamento normal de todo o veículo, deve ser colocada no compartimento da bateria, pelo menos, 1 bateria designada pela Cramer e assegurar que as baterias estão carregadas.
	A carga da bateria é inferior a 5%.	Verifique a alimentação das baterias; se estiverem fracas, carregue as baterias.
	O interruptor de presença do operador não está fechado.	Certifique-se de que o condutor está sentado no assento.
	O interruptor da lâmina (PTO) não está na posição inicial antes de ligar.	Prima o PTO e puxe-o novamente para cima.
	Bloqueio do motor da lâmina ou outra proteção funcional.	Verifique se não existem ervas daninhas e outros objetos estranhos na ligação entre a lâmina e o motor para garantir uma rotação sem problemas da lâmina. Recomenda-se que puxe a plataforma para cima e ative as lâminas antes de ajustar a plataforma para a engrenagem necessária.
	O controlador de marcha está avariado.	Certifique-se de que não existe outro erro apresentado no ecrã.
A lâmina para ao cortar relva.	O controlador da lâmina está avariado.	Verifique o código de erro que aparece no ecrã.
	Sobrecarga do motor da lâmina.	Limpe o interior da plataforma, certifique-se de que não há rotação anormal da lâmina, prima o PTO, reinicie a máquina e reduza a carga da lâmina, elevando a altura

# Português

PROBLEMA	POSSÍVEIS CAUSAS	SOLUÇÃO
		da plataforma de corte ou reduzindo a velocidade de condução.
	A temperatura das baterias é demasiado elevada.	Não utilize imediatamente após a conclusão do carregamento; caso contrário, poderá despoletar o erro de proteção de temperatura das baterias.
	A carga da bateria é inferior a 5%.	A carga das baterias está baixa, por favor, carregue-as.
	A lâmina é atingida por um objeto estranho, causando uma paragem repentina.	Rode a chave de ignição para a posição de desligar e aguarde mais de 5 segundos antes de voltar a ligar a máquina.
	O controlador de condução está avariado.	Verifique o código de erro que aparece no ecrã.
O trator corta-relva corta a relva de forma desigual e a diferença de altura é muito grande.	A lâmina está romba.	Afie a lâmina de acordo com o manual.
	A lâmina está dobrada.	Substitua a lâmina dobrada de acordo com as instruções e utilize equipamento de proteção.
	A plataforma não está plana.	Nivele a plataforma de acordo com as instruções para garantir que as alturas do lado esquerdo e direito são iguais.
A altura real de corte da relva não corresponde à altura marcada de corte escolhida.	Parafusos de fixação soltos da plataforma.	Ajuste os parafusos de fixação da plataforma para garantir que está firmemente instalada. Nota: a plataforma precisa de ser novamente nivelada após ajustar os parafusos de fixação.
	A plataforma está extremamente gasta ou danificada.	Substitua por uma nova plataforma.
Corte anormal do veículo	O relvado está demasiado molhado.	Antes de cortar, verifique o estado da relva. Se a relva estiver demasiado molhada, aguarde que o vento ou a luz do sol a seque, aguarde que o orvalho do relvado se dissipe antes de cortar.
	O trator corta-relva está ajustado para cortar demasiada relva de uma só vez.	Se a relva for muito densa e alta, levante a plataforma e evite ao máximo cortar relva maciça.
Vibração excessiva da máquina	As lâminas estão soltas.	Afie a lâmina de acordo com método descrito no manual.
	As lâminas estão dobradas.	Substitua a lâmina dobrada, prestando atenção à correta substituição da lâmina de acordo com as instruções e utilize equipamento de proteção.
	Plataforma irregular.	Nivele a plataforma de acordo com as instruções para garantir que as alturas do lado esquerdo e direito são iguais.
	Plataforma solta.	Bloqueie os parafusos fixos da plataforma.
	O trator corta-relva está ajustado para cortar demasiada relva de uma só vez.	Se a relva for muito densa e alta, levante a plataforma, tente evitar cortar relva maciça.
Relva, folhas ou detritos deixados no solo após cortar a relva.	O trator corta-relva está ajustado para cortar demasiada relva de uma só vez.	Se a relva for muito densa e alta, levante a plataforma, se a altura da relva for superior a 15 cm, use dois ciclos de corte para obter o efeito de corte, tente evitar cortar relva maciça.
	A relva está muito molhada.	Verifique o estado da relva antes de cortar, se a relva estiver demasiado molhada, aguarde que o vento ou a luz do sol a seque, aguarde que o orvalho do relvado se dissipe antes de cortar a relva.

# Português

PROBLEMA	POSSÍVEIS CAUSAS	SOLUÇÃO
	A velocidade de condução é demasiado elevada.	Reduza a velocidade de condução.
	A velocidade de corte da lâmina é demasiado baixa.	Aumente o nível de velocidade da lâmina.
Curta duração do corte	Cortar relva maciça pode resultar numa curta duração de corte.	Elevar a plataforma ou diminuir a velocidade da lâmina pode aumentar o tempo de utilização do trator corta-relva com uma carga.
Resvalamento do trator corta-relva	Pressão dos pneus diferente	Verifique regularmente a pressão dos pneus traseiros do trator corta-relva, de acordo com o manual.
O veículo não arranca após a lavagem.	Limpeza inadequada, como água no ecrã de LEDs, no compartimento da bateria e em outros componentes eletrónicos.	<ol style="list-style-type: none"> <li>1. Siga as instruções para limpar a máquina.</li> <li>2. Se o veículo for acidentalmente encharcado, coloque-o num local seco durante 12 horas ou seque-o com ar antes de utilizar.</li> <li>3. Entre em contacto com o serviço pós-venda da Cramer.</li> </ol>
O trator corta-relva está bloqueado.	Ervas daninhas e lixo acumulado na plataforma.	Siga as instruções para limpar a máquina após a utilização.
Estacionada, a máquina desliza e derrapa rapidamente na encosta.	Desgaste excessivo dos pneus.	Contacte o serviço pós-venda para substituir os pneus.
	O travão eletromagnético está danificado ou com desgaste excessivo.	Contacte o serviço pós-venda para substituir o travão eletromagnético.
	O travão eletromagnético é libertado manualmente.	Verifique o travão eletromagnético e reponha-o na posição inicial.

PT

## 10 CARACTERÍSTICAS TÉCNICAS

Modelo nº	82LT107
Tensão	82 V
Peso bruto do veículo	106±3 kg
Comprimento:	170 cm
Altura	117 cm
Largura (com descarga)	135 cm
Largura (sem descarga)	107 cm
Largura da plataforma	107 cm
Velocidade de avanço	0-8 mph
Velocidade de marcha-atrás	0-3 mph
Raio da altura de corte	3.81-11.4 cm
Nível de ajuste da altura de corte	7 peças
Velocidade sem carga	2400/3000/3200 RPM
Tempo de carregamento	4 h (com carregador de 8 A)
Potência do motor	1.2 kW (motor da lâmina) 1.2 (motor condutor)
Inclinação MÁX. em encostas	15°
Número de lâminas (descarga/adubagem)	2 peças
Nível de pressão do som medido	$L_{pA} = 84.77 \text{ dB(A)}$ , $K_{pA} = 3 \text{ dB(A)}$
Nível de potência do som medido	$L_{wA} = 98.24 \text{ dB(A)}$
Nível de potência do som garantido	$L_{wA,d} = 100 \text{ dB(A)}$
Vibração	Braços: $\leq 2.5 \text{ m/s}^2$ , $K = 1.5 \text{ m/s}^2$ Carroçaria: $\leq 2.5 \text{ m/s}^2$ , $K = 1.5 \text{ m/s}^2$

## 11 GARANTIA LIMITADA

### 11.1 O QUE É ABRANGIDO POR ESTA GARANTIA

Cramer oferece a seguinte garantia apenas ao comprador original ("Proprietário"). A garantia não é transferível:

**A. Utilização residencial:** O produto Cramer usado para fins residenciais normais\* inclui uma garantia de cinco (5) anos ou 1500 horas de uso total (o que for atingido primeiro) a partir da data de compra para todos os materiais e mão de obra do chassis, plataforma e baterias. Consumíveis, como pneus e lâminas têm uma garantia de trinta (30) dias a partir da data de compra. Se, durante o período da garantia, for descoberto um defeito de material ou de mão-de-obra:

- O Proprietário tem de notificar imediatamente a Cramer ou um revendedor autorizado por escrito ou por e-mail, chamada telefónica, aplicação ou pessoalmente do defeito. Tal notificação nunca deverá ser recebida pela Cramer ou por um revendedor autorizado após cinco (5) anos da data de compra.
- Dentro de um espaço de tempo razoável após tal notificação e confirmação do defeito ao abrigo da garantia, a Cramer irá reparar qualquer defeito de material ou fabrico do produto Cramer através de reparação ou substituição de peças por peças novas ou usadas, a seu critério.
- Tal reparação, incluindo peças e mão de obra, ficará a cargo da Cramer apenas para o Proprietário original.

**B. Utilização comercial:** O produto Cramer usado para fins comerciais e institucionais inclui uma garantia de cinco (5) anos ou 1500 horas de uso total (o que for atingido primeiro) a partir da data de compra em todos os materiais e mão de obra do chassi, plataforma e baterias. Consumíveis, como pneus e lâminas têm uma garantia de trinta (30) dias a partir da data de compra. Se, durante o período da garantia, for descoberto um defeito de material ou de mão-de-obra:

- O Proprietário tem de notificar imediatamente a Cramer ou um revendedor autorizado por escrito ou por e-mail, chamada telefônica, aplicação ou pessoalmente do defeito. Tal notificação nunca deverá ser recebida pela Cramer ou por um revendedor autorizado após cinco (5) anos da data de compra.
- Dentro de um espaço de tempo razoável após tal notificação e confirmação do defeito ao abrigo da garantia, a Cramer irá reparar qualquer defeito de material ou fabrico do produto Cramer através de reparação ou substituição de peças por peças novas ou usadas, a seu critério.
- Tal reparação, incluindo peças e mão de obra, ficará a cargo da Cramer apenas para o Proprietário original (comercial).

## i NOTA

Não manter corretamente as baterias completamente carregadas reduz o seu tempo de vida e anula a garantia da bateria. As provisões desta garantia não se aplicam a falhas devido a:

- Abuso ou negligência, como: danos devido a água, cablagem solta ou ferragens enferrujadas ou corroídas.
- Falha de manutenção adequada, danos causados por uma instalação incorreta da bateria, negligência, quebras, exposição a temperaturas extremas, incluindo, mas não limitado a temperaturas gélidas, temperaturas quentes, proximidade de fontes de calor, incluindo aquecedores ou fogo, exposição à água ou outras substâncias, funcionamento da bateria num estado excessivamente carregado ou sem carga.
- Uma bateria carregada por outros sistemas sem ser o carregador original do equipamento.

**Rodapé:** *"" Fins residenciais normais", conforme usado aqui, significa o uso do produto em sua casa. Usado em mais do que um local é considerado um uso comercial, ao qual se passa a aplicar a garantia comercial.*

## 11.2 QUEM TEM DE EFETUAR O SERVIÇO AO ABRIGO DA GARANTIA

Todos os serviços ao abrigo da garantia deverão ser efetuados por um revendedor autorizado Cramer ou um técnico de reparação autorizado Cramer. Chamadas de reparação e/ou despesas de transporte do produto do e para o revendedor autorizado para trabalhos ao abrigo da garantia serão pagas pelo proprietário do produto. Para um serviço ao abrigo da garantia, contacte um revendedor autorizado.

## 11.3 O QUE NÃO É ABRANGIDO POR ESTA GARANTIA

A Cramer não cobre ao abrigo da garantia:

- Reparações efetuadas por pessoas não autorizadas.
- Danos causados pela utilização do produto Cramer para fins diferentes daqueles para os quais foi concebido.
- Danos causados por desastres, como fogo, inundações, vento e trovoadas.
- Danos causados por negligência, abuso, uso anormal, uso indevido ou injustificado, acidente ou má utilização, como danos devido a água.
- Reparações ou substituições devido ao uso de peças não autorizadas ou acessórios.
- Reparações ou substituições como resultado de quaisquer alterações ou modificações, determinadas pela Cramer, que afetem adversamente o funcionamento, o desempenho ou a durabilidade do equipamento.
- Produtos, componentes ou peças não fabricados pela Cramer.
- Produtos que tenham a identificação alterada, incluindo, mas não limitado a números de série retirados e/ou tornados ilegíveis.
- Depreciação ou danos causados por desgaste normal, falta de manutenção razoável e adequada, falha em seguir as instruções de operação, manutenção e ajuste apresentadas no manual do utilizador ou outras instruções operacionais fornecidas pela Cramer.
- Peças de manutenção normal e reparação, incluindo, mas não limitado a, lubrificantes, peças de afinação, lâminas, afiação das lâminas, rolamentos, travões ou ajustes da direção.
- Produtos com uma programação não aprovada para esse produto, incluindo alterações nos parâmetros, programação ou ajustes pós-venda, ou qualquer modificação não aprovada de componentes, sistemas eletrônicos ou software.

## 11.4 CLÁUSULA DE DESRESPONSABILIZAÇÃO DA GARANTIA

A garantia é apresentada em detrimento de outras garantias, expressas ou implícitas, incluindo, mas não limitado às garantias implícitas comerciais ou adequabilidade para um certo intuito. No entanto, se o produto Cramer for adquirido como um consumível, qualquer garantia implícita de comercialização ou adequação para um determinado fim está limitada à duração desta garantia limitada. Alguns estados não autorizam a limitação da duração da garantia. Como tal, as limitações supra-indicadas podem não aplicar-se no seu caso. Esta garantia proporciona-lhe direitos legais específicos, podendo também desfrutar de outros direitos, que variam de estado para estado.

## 11.5 LIMITAÇÃO DE INDEMNIZAÇÃO

Em caso algum, a Cramer será responsável por quaisquer danos especiais, acidentais ou consequenciais resultantes de quebra da garantia, quebra de contrato, negligência, responsabilidade objetiva em matéria de delito ou qualquer outra teoria legal. Estes danos podem incluir, mas não se limitam a:

- Perda de lucros
- Perda de poupanças ou receitas
- Perda de utilização do Produto Cramer ou de qualquer equipamento associado
- Custo de capital
- Custo de qualquer equipamento substituto, instalações, serviços ou tempo de inatividade
- Queixas de terceiros, incluindo clientes, e danos patrimoniais

## 11.6 LIMITE DE TEMPO

A não ser que a lei dos Estados Unidos o determine de outro modo:

Qualquer ação de quebra da garantia tem de ser iniciada no espaço de cinco (5) anos ou sessenta (60) meses a partir da data de compra numa aplicação residencial e/ou comercial.

No caso de a data de fabrico exceder um espaço de tempo razoável anterior à compra por parte do primeiro cliente, a garantia da Cramer pode estar sujeita a limitações adicionais.

## 11.7 SEM GARANTIAS ADICIONAIS

Este acordo é tido como completo e como sendo o acordo exclusivo entre partes, substituindo todos os acordos anteriores, orais ou por escrito, e todas as outras comunicações entre as partes relacionadas com o tema deste acordo.

## 11.8 RESPONSABILIDADE DO PROPRIETÁRIO

Tem de efetuar a manutenção do seu produto Cramer de acordo com os procedimentos de manutenção descritos no manual do utilizador. As despesas de tal rotina de manutenção, quer seja efetuada por um revendedor ou por si, ficam a seu encargo.

Esta máquina, tal como qualquer outro equipamento elétrico, é potencialmente perigosa, a não ser que seja devidamente utilizada. Qualquer operador tem de ter cuidado e dar prioridade à segurança. Qualquer operador, antes de utilizar o produto Cramer, deverá familiarizar-se por completo com o manual do utilizador, relativamente ao funcionamento e segurança da máquina, bem como com todos os avisos de segurança da máquina.

## 11.9 DISTRIBUIÇÃO DOS RISCOS

Este acordo distribui os riscos de falha do produto entre a Cramer e o Proprietário. Esta distribuição é reconhecida por ambas as partes e refletida no preço dos bens.

## 11.10 REGISTO DA GARANTIA

A não ser que a lei dos Estados Unidos o determine de outro modo:

1. Os proprietários devem registrar a unidade junto da Cramer no prazo de dez (10) dias após a data de compra.
2. O registo pode ser feito através do preenchimento do formulário de registo da garantia, que é fornecido no manual do operador.
3. O registo também pode ser feito através de formulários on-line em [cramertools.com](http://cramertools.com) ou utilizando a aplicação e fornecendo prova de compra (recibo onde consta a data de compra).



## 12 DECLARAÇÃO DE CONFORMIDADE CE

Nome e morada do fabricante:

Nome: Greenworks Tools Europe GmbH  
Morada: Brunnenweg 17, 64331 Weiterstadt, Alemanha

Nome e morada da pessoa autorizada a compilar o ficheiro técnico:

Nome: Ralf Pankalla  
Morada: Brunnenweg 17, 64331 Weiterstadt, Alemanha

Declaramos por este meio que o produto

Categoria: Trator corta-relva  
Modelo: 82LT107  
Número de série: Consulte a etiqueta das especificações do produto  
Ano de fabrico: Consulte a etiqueta das especificações do produto

- encontra-se em conformidade com as provisões relevantes da Diretiva Máquinas 2006/42/CE.
- Se encontra em conformidade com as provisões das seguintes diretivas europeias:
  - 2014/30/UE
  - 2011/65/UE e (UE)2015/863

Além disso, declaramos que as seguintes normas harmonizadas europeias (partes ou cláusulas) foram usadas:

- EN 62841-1, EN ISO 5395-1, EN ISO 5395-3, EN ISO 14982, IEC 62321-3-1, IEC 62321-4, IEC 62321-5, IEC 62321-6, IEC 62321-7-1, IEC 62321-7-2, IEC 62321-8

Local, data: 11.11.2022

Assinatura: Ted Qu, Diretor da Qualidade

Ted Qu

<b>1 Beschrijving.....</b>	<b>155</b>	7.5 Koppelwaarden.....	167
1.1 Overzicht.....	155	7.6 Onderhoud van het accupack.....	167
1.2 Bedieningspaneel.....	155	7.7 Onderhoud van het accuvakfilter.....	168
<b>2 De machine uitpakken.....</b>	<b>155</b>	7.8 Service.....	168
<b>3 Installatie.....</b>	<b>156</b>	<b>8 Vervoer en opslag.....</b>	<b>169</b>
3.1 Monteer de zitting.....	156	8.1 Transport.....	169
3.2 Installeer het stuurwiel.....	156	8.2 Reiniging en opslag.....	169
3.3 Installeer de mulchafdekking.....	156	<b>9 Probleemoplossing.....</b>	<b>171</b>
3.4 Anti-scalpwielen.....	156	<b>10 Technische gegevens.....</b>	<b>173</b>
3.5 De app gebruiken.....	157	<b>11 Beperkte garantie.....</b>	<b>173</b>
<b>4 Gebruiksaanwijzing.....</b>	<b>157</b>	11.1 Wat wordt gedekt door deze garantie?...	173
4.1 Voorafgaand aan het gebruik.....	157	11.2 Wie moet de garantieservice uitvoeren?	174
4.2 Gebruik van de machine.....	158	11.3 Wat wordt niet gedekt door deze garantie?.....	174
<b>5 Elektrisch systeem.....</b>	<b>161</b>	11.4 Afwijzing van garantie.....	175
5.1 Veiligheid elektrisch systeem.....	161	11.5 Beperking van rechtsmiddelen.....	175
5.2 Informatie over het elektrisch systeem...	161	11.6 Tijdslimiet.....	175
5.3 Digitaal display.....	161	11.7 Geen andere garanties.....	175
<b>6 Fouten.....</b>	<b>162</b>	11.8 Verantwoordelijkheid van de eigenaar...	175
6.1 Foutcode.....	163	11.9 Toewijzing van risico's.....	176
<b>7 Onderhoud.....</b>	<b>165</b>	11.10 Garantieregistratie.....	176
7.1 Onderhoud van de maaibladen.....	165	<b>12 EC Verklaring van overeenstemming.....</b>	<b>176</b>
7.2 Vervang de koplamp.....	166		
7.3 Banden.....	166		
7.4 Smering.....	167		

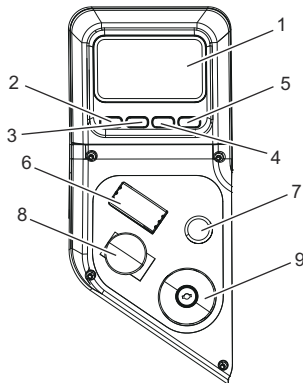
## 1 BESCHRIJVING

### 1.1 OVERZICHT

Zie het afzonderlijke blad met tekeningen 1-20

- |                                   |                        |
|-----------------------------------|------------------------|
| 1 Zithoogteverstelling            | 18 Afdekplaat          |
| 2 Zij-uitwerpopening              | 19 Mulchafdekking      |
| 3 Rempedaal                       | 20 Lagerring           |
| 4 Bedieningspaneel                | 21 Bevestigingsklemmen |
| 5 Hendel voor dekhogteverstelling | 22 Serienummer         |
| 6 Gaspedaal                       | 23 Koppelingscode      |
| 7 Parkeerremhendel                | 24 QR-code             |
| 8 Koplampen                       | 25 Accuvak             |
| 9 Bekerhouder                     | 26 Accu                |
| 10 USB-poort                      | 27 Accuvergrendeling   |
| 11 Anti-scalpwielen               | 28 Blad                |
| 12 Zittingpaneel                  | 29 Olievulpoort        |
| 13 Zittingplug                    | 30 Olieaftap           |
| 14 Stuurass                       | 31 Tuinslang           |
| 15 Koppeling                      | 32 Snelkoppeling       |
| 16 Stuurkolom                     | 33 Waspoort            |
| 17 Stuur                          |                        |

### 1.2 BEDIENINGSPANEEL



#	Naam	Functie
1	Digitaal display	Dit display toont belangrijke informatie over het elektrische systeem. Raadpleeg het hoofdstuk 'Elektrisch' voor volledige informatie.
2	Snelheidsregeling bladmotor / Terugkeer	Pas de bladsnelheid aan (cyclisch) als het op de homepage staat. Druk op de knop om terug te keren naar de vorige pagina.
3	Menu navigatie / Pagina omhoog	Ga naar de laatste pagina. Terug naar het beginscherm.
4	Lampschakelaar / Pagina omlaag	Zet de lampen aan/uit als het op de homepage staat. Ga naar de volgende pagina .
5	Cruisecontroleknop / Bevestigen	Houd de knop 0,4s ingedrukt om de cruisecontrolefunctie te activeren, druk op de knop om te bevestigen.
6	Richtingschakelaar	De bewegingsrichting van de maaier wordt geregeld met de richtingschakelaar. Beschikbare instellingen zijn Vooruit (D), Neutraal (N) en Achteruit (R).
7	Achteruit maaien	Voor achteruit maaien moet de knop voor achteruit maaien worden geactiveerd.
8	Aan/uit-schakelaar	De schakelaar wordt gebruikt om de maaier aan en uit te zetten. De start sleutel moet worden ingestoken voordat de schakelaar kan worden bediend.
9	Dekbladen aan/uit-schakelaar (PTO)	Deze schakelaar schakelt de bladmotoren in. Trek de schakelaar omhoog om in te schakelen en druk de schakelaar omlaag om de motoren uit te schakelen.

NL

### **i** BELANGRIJK

Schakel de bladmotoren nooit in als het blad belast is. De motoren of het dek kunnen beschadigd raken.

## 2 DE MACHINE UITPAKKEN

### ▲ WAARSCHUWING

Zorg ervoor dat u de machine vóór gebruik correct monteert.

### ▲ WAARSCHUWING

- Gebruik de machine niet als onderdelen beschadigd zijn.
- Gebruik de machine niet als er onderdelen ontbreken.
- Neem contact op met het servicecentrum als er onderdelen beschadigd zijn of ontbreken.

1. Open de verpakking.
2. Lees de documentatie in de doos.
3. Haal alle ongemonteerde onderdelen uit de doos.
4. Haal de machine uit de doos.
5. Gooi de doos en het verpakkingsmateriaal weg in overeenstemming met de plaatselijke voorschriften.

## ▲ WAARSCHUWING

Voor uw persoonlijke veiligheid mag u de accu niet plaatsen voordat de machine volledig is gemonteerd.

## 3 INSTALLATIE

### 3.1 MONTEER DE ZITTING

Zie afbeelding 3

1. Plaats de zitting op het zittingpaneel en lijn de gaten uit zoals afgebeeld.
2. Monteer de bouten, ringen en moeren en draai ze goed vast.
3. Bevestig de hulzen aan de moeren.
4. Zorg ervoor dat de zitting goed vastzit.
5. Sluit de stekker van de zitting aan op de machine.

### 3.2 INSTALLEER HET STUURWIEL

Zie afbeelding 4-5

## i OPMERKING

Zorg ervoor dat de sleuf naar de zitting gericht is.

1. Installeer de stuuras in de koppeling en draai zo nodig om het gat in de as uit te lijnen met het boutgat in de koppeling.
2. Plaats twee bouten en draai ze stevig vast.

## i OPMERKING

Haal de bouten aan tot de aangegeven waarde.

3. Installeer de stuurkolom. Let op de lipjes aan de onderkant van de stuurkolom die in de gaten in de opening passen en zorg ervoor dat de stuurkolom goed vastzit.
4. Zorg ervoor dat het wiel van de maaier recht vooruit wijst en plaats het stuurwiel met kracht over de stuurkolom.
5. Installeer de bout en de sluitring; draai ze stevig vast.
6. Installeer de stuurwielafdekplaat.

### 3.3 INSTALLEER DE MULCHAFDEKKING

Zie afbeelding 6

De maaier is bij levering geconfigureerd voor zij-uitwerp. Als mulchen gewenst is:

1. Plaats de mulchafdekking op het lipje op de behuizing van de maaier.
2. Lijn de gaten in de mulchafdekking en de gaten in de behuizing van de maaier uit.
3. Monteer en draai de bouten, schroeven, bevestigingsklemmen en lagerring zoals afgebeeld.

### 3.4 ANTI-SCALPWIELEN

Zie afbeelding 2

Anti-scalpwielen zijn standaard op Cramer de machine. Deze anti-scalpwielen zijn ontworpen voor het maaien op ruw, oneffen terrein. Nadat u de maaihogte hebt ingesteld, stelt u de anti-scalpwielen zo af dat ze onder het maaidek uitsteken maar niet de grond raken. Ze moeten altijd ten minste 0,6 cm tot 1,9 cm onder het dek liggen. Als

de machine op een vlakke, horizontale ondergrond staat, kan de wielpositie naar behoefte worden ingesteld van 1,9 cm tot 4,4 cm onder het bladoppervlak. Verplaats de wielen omhoog of omlaag - met behulp van de verschillende asbevestigingsgaten in de wielbevestigingssteun (indien van toepassing op het model).

## 3.5 DE APP GEBRUIKEN

Zie afbeelding 7-8

1. Bezoek de website van Fleet Management: [fleet.cramertools.com](http://fleet.cramertools.com)
2. Maak een account aan en log in.
3. Nodig andere gebruikers in uw organisatie uit.
4. Scan de QR-code, download de app en log in.
5. Voeg een apparaat toe. Vind het serienummer, de koppelingscode en de QR-code op het label van het voertuig dat bij deze handleiding hoort. Scan QR-code of typ handmatig in.

## 4 GEBRUIKSAANWIJZING

### 4.1 VOORAFGAAND AAN HET GEBRUIK

#### 4.1.1 AANPASSING VAN DE ZITTING

Zie afbeelding 9

Stel de zitting zodanig in dat u stevig contact kunt maken met het gas- en rempedaal voordat u de maaier bedient.

1. Ga op de zitting zitten en til de hendel voor zittingverstelling op.
2. Terwijl u de hendel vasthoudt, schuift u de zitting in de gewenste stand.
3. Laat de hendel los en zorg ervoor dat de zitting vergrendeld is voordat u de maaier bedient.

#### ▲ WAARSCHUWING

Zorg ervoor dat de zitting is vergrendeld voordat u de maaier bedient. Een niet veilige zitting kan ertoe leiden dat de gebruiker verschuift en de controle over de maaier verliest, met mogelijk de dood of ernstig lichamelijk letsel tot gevolg.

#### 4.1.2 STEL DE MAAIHOOGTE VAN HET DEK IN

Zie afbeelding 10

Voordat u de maaier gebruikt, moet u de maaierhoogte instellen op de voor uw gazon meest geschikte stand.

De hoogte van het dek is instelbaar van 3.81-11.4 cm. Het maaidek moet tijdens het maaien omhoog worden gebracht om stronken, stenen of andere obstakels te vermijden die het maaidek kunnen beschadigen.

#### ▲ LET OP!

Houd de hendel voor het instellen van de dekhoogte stevig vast bij het instellen van de dekhoogte en laat hem pas los als hij vastzit in de gewenste sleuf. Het snel loslaten van de hendel kan een knel- of trekgevaar opleveren voor uw handen.

1. Stop de maaier en ontkoppel de bladen.
2. Draai de sleutel in de OFF-positie en zet de parkeerrem aan.
3. Om het maaidek omhoog te zetten, pakt u de hendel voor de maaierhoogte-instelling vast, duwt u naar links om deze los te maken van de sleuf, beweegt u naar de achterkant van de maaier en duwt u vervolgens naar rechts in de sleuf om deze vast te zetten.
4. Om het maaidek te laten zakken, pakt u de hendel voor het instellen van de maaierhoogte vast, duwt u naar links om deze los te maken van de sleuf, beweegt u naar de voorkant van de maaier en duwt u vervolgens naar rechts in de sleuf om deze vast te zetten.

#### 4.1.3 INSTALLEER HET ACCUPACK

Zie afbeelding 11

Om te controleren of de accu's van de maaier volledig zijn opgeladen, controleert u de accu-indicator. Zie de handleiding van de accu voor meer details.

1. Til het zittingpaneel op.
2. Til het deksel van het accuvak op.
3. Plaats het accupack in het accuvak.

## ▲ WAARSCHUWING

Lijn de ribben van de accu uit met de accupoort. Zorg ervoor dat de accuvergrendeling soepel in het accuvak klikt.

### 4.1.4 VOORDAT U DE MACHINE GEBRUIKT

- Zorg ervoor dat het werkgebied vrij is van kinderen, omstanders en huisdieren.
- Maak het werkgebied vrij van voorwerpen die door de maaibladen kunnen worden geworpen.
- Controleer de werking van de remmen.
- Controleer de bandenspanning.
- Controleer op losse bevestigingen.
- Controleer of alle afschermingen aanwezig zijn en goed werken.
- Maak de maaier schoon.
- Test de veiligheidsvergrendeling.
- Zet de zitting in de gewenste positie.
- Controleer het oplaadniveau van de accu.

### 4.1.5 VEILIGHEIDSVERGRENDELING

Zie afbeelding 12

Deze maaier is voorzien van een veiligheidsvergrendeling om de gebruiker te beschermen door de bladen uit te schakelen als de gebruiker de zitting verlaat terwijl de bladen draaien. Test het systeem voor elk gebruik om er zeker van te zijn dat het goed werkt.

1. Zorg ervoor dat de rijrichtingsschakelaar in de neutrale stand (N) staat en dat de PTO-schakelaar omlaag staat.
2. Steek de startsleutel in en draai de sleutel naar ON.
3. Maak de parkeerrem los.
4. Zet de PTO-schakelaar omhoog om de bladen te activeren.
5. Sta kort van de zitting op, maar stap niet van de maaier af.

De bladen moeten binnen 5 seconden uitschakelen. Zo niet, neem dan contact op met de klantenservice. Gebruik de maaier niet totdat het veiligheidsvergrendelingssysteem is gerepareerd.

## 4.2 GEBRUIK VAN DE MACHINE

### 4.2.1 START DE MACHINE

## i OPMERKING

Maak het gebied vrij van omstanders voordat u de maaier bedient. Als iemand het maaigebied betreedt, stop dan onmiddellijk en ga pas weer maaien als de omstanders het gebied verlaten hebben.

1. Zet het maaidek in de hoogste stand.
2. Steek de startsleutel in en draai de sleutel naar ON.
3. Zet de richtingsschakelaar in de neutrale stand (N) .
4. Maak de parkeerrem los.
5. Trek de PTO-schakelaar van het maaidek omhoog om de bladen te starten voor het maaien.
6. Druk de richtingsschakelaar in de rijstand (D) en rijd naar de gewenste maaiplaats.

## i OPMERKING

Wees voorzichtig bij het oversteken van grindpaden of opritten. Schakel de bladen uit en zet het maaidek in de hoogste stand voordat u gaat oversteken, om de kans op terugslag te minimaliseren. Rijd langzaam om verlies van tractie en controle te voorkomen.

## **i** OPMERKING

Probeer niet van richting te veranderen terwijl de maaier in beweging is. Kom altijd volledig tot stilstand voordat u de richting van de maaier verandert.

### **4.2.2 STEL DE CRUISECONTROL IN**

1. Terwijl u de maaier vooruit rijdt, drukt u het gaspedaal in totdat de gewenste snelheid is bereikt.
2. Druk op de cruisecontrolknop en houd deze 0,4s ingedrukt.
3. Laat het gaspedaal los. De maaisnelheid moet constant blijven.

### **4.2.3 LAAT DE CRUISECONTROL LOS**

1. Trap het gaspedaal in, trap het rempedaal in.

### **4.2.4 STEL DE PARKEERREM IN**

1. Trap het rempedaal volledig in en houd het vast.
2. Trek de handgreep van de parkeerrem omhoog en houd hem vast.
3. Laat het rempedaal los.
4. Laat de parkeerrem los.

## **▲ WAARSCHUWING**

Laat de maaier nooit onbeheerd achter wanneer de motor draait. Controleer of de parkeerrem is aangetrokken en de sleutel is verwijderd. Als de parkeerrem niet wordt aangetrokken, kan de maaier in beweging komen, en als u de sleutel laat zitten, kan onbevoegd gebruik mogelijk zijn, met ernstig persoonlijk letsel tot gevolg.

### **4.2.5 MAAK DE PARKEERREM LOS**

1. Trap het rempedaal in om de parkeerrem los te zetten.

### **4.2.6 STOPPEN VAN DE MACHINE**

1. Zet de maaier stil op een vlakke, horizontale ondergrond.
2. Stel de parkeerrem in.
3. Druk de PTO-schakelaar omlaag om de bladen uit te schakelen.
4. Draai de sleutel in de OFF-positie.

### **4.2.7 ACHERUITRIJDEN**

Zie afbeelding 13

- Trap het rempedaal in en breng de maaier volledig tot stilstand.
- Druk de PTO-schakelaar omlaag om de bladen uit te schakelen.
- Zet de richtingsschakelaar in de achteruitstand (R).
- Druk op de knop voor achteruit maaien.
- Zet de PTO-schakelaar omhoog, druk het gaspedaal langzaam in en maai achteruit.

## **▲ WAARSCHUWING**

Maai niet achteruit, tenzij het absoluut noodzakelijk is. Kijk vóór en tijdens het achteruitrijden altijd naar beneden en naar achteren om er zeker van te zijn dat er geen kinderen, omstanders of huisdieren in het maaigebied komen. Vergeet niet dat een onvoorzichtige fractie van een seconde voldoende is om de dood of ernstig letsel te veroorzaken.

## **▲ WAARSCHUWING**

Wees vooral voorzichtig vóór en tijdens het achteruitrijden met toebehoren, omdat deze het zicht kan beperken. Kijk altijd goed achter en naar beneden voor kleine kinderen, omstanders en huisdieren en verplaats de maaier langzaam om ongelukken te voorkomen die de dood of ernstig lichamelijk letsel kunnen veroorzaken.

## 4.2.8 GEBRUIK DE USB-POORT

Zie afbeelding 14

De USB-laadpoort levert een laadvermogen van 5 volt gelijkstroom bij maximaal 2,1 ampère voor uw mobiele telefoon, mp3-speler of andere USB-apparaten. Raadpleeg de gebruikershandleiding van uw apparaat voor specifieke oplaadvereisten.

Sluit het ene uiteinde van een USB-kabel (niet meegeleverd) aan op uw apparaat en het andere uiteinde op de USB-oplaadpoort van de maaier, om te beginnen met het opladen van uw apparaat.

### i OPMERKING

Pogingen om apparaten van meer dan 2,1 ampère op te laden kunnen de USB-laadpoort en/of de maaier beschadigen.

### i OPMERKING

De USB-poort wordt alleen gevoed wanneer de machine start.

### ▲ WAARSCHUWING

Gebruik nooit een hoofdtelefoon of een elektronisch apparaat, zoals een smartphone of tablet, terwijl u de maaier bedient. Afgeleide bediening kan leiden tot een ongeval met de dood of ernstig lichamelijk letsel van de gebruiker of een omstander tot gevolg.

## 4.2.9 TIPS VOOR HET GEBRUIK

Zie afbeelding 15

- Hou de maaibladeren scherp.
- Zorg ervoor dat het gazon vrij is van stenen, stokken, draden, speelgoed, boomtakken en andere voorwerpen die de maaibladeren of de motor van de grasmaaier kunnen beschadigen. Maai niet over palen of andere metalen palen. Dergelijke voorwerpen kunnen het blad beschadigen of per ongeluk door de maaier in een willekeurige richting worden geslingerd en ernstig persoonlijk letsel van de gebruiker en anderen veroorzaken.
- Maai voor een gezond gazon altijd een derde of minder van de totale lengte van het gras af.
- Draai bij het maaien van grote oppervlakken eerst naar rechts, zodat het maaisel wegvloeit van struiken, hekken, opritten etc. Na een of twee rondes maait u in de tegenovergestelde richting, waarbij u naar links draait tot u klaar bent.
- Maai zo dat het afgevoerde maaisel uitmondt in de richting van het reeds gemaaide gazongedeelte.
- Wanneer u zwaar gras maait, vermindert u de snelheid om effectiever te kunnen maaien en het maaisel goed af te voeren.
- **Bij normaal maaien**, maait u ongeveer 38 mm af. Meer maaien is niet aan te bevelen, tenzij het gras schaars is of het einde van het maaiseizoen is.
- Maai geen nat gras. Het blijft plakken aan de onderkant van het maaidek en verhindert het opzakken of mulchen van het maaisel.
- Nieuw of dik gras kan een smallere snede of een hogere maaihoogte vereisen.
- Houd het maaidek en de uitwerpopening schoon. Verwijder voor en na elk gebruik maaisel, bladeren, vuil en ander opgehoopt vuil. Niet schoonspuiten met een tuinslang.

### i OPMERKING

Zet de maaier altijd stil, laat de bladeren volledig tot stilstand komen en verwijder de start sleutel alvorens onder de maaier te reinigen.

## 4.2.10 GEBRUIK OP EEN HELLING

Zie afbeelding 16

Hellingen zijn een belangrijke factor bij ongevallen waarbij de gebruiker de macht over het stuur verliest of kantelt, wat kan leiden tot ernstig letsel of de dood. Het gebruik op alle hellingen vereist extra voorzichtigheid. Als u de helling niet kunt oprijden of als u zich niet op uw gemak voelt, maai de helling dan niet.



- Rijd op hellingen in de door de fabrikant aanbevolen richting. Wees voorzichtig in de buurt van gaten in het terrein.
- Gebruik de machine niet onder omstandigheden waarbij tractie, besturing of stabiliteit in het geding is. Banden kunnen wegglijden, zelfs als de wielen stilstaan.
- Houd de machine altijd in de versnelling bij het afdalen van hellingen. Niet laten uitrollen.
- Maai hellingen op en af, niet overdwars.
- Kijk uit voor gaten, spoorvorming, hobbels, stenen of andere verborgen voorwerpen. Oneffen terrein kan de machine doen kantelen. Hoog gras kan obstakels verbergen.
- Maai niet in de buurt van afgronden, greppels of taluds. De machine kan plotseling kantelen als een wiel over de rand gaat of als de rand inzakt.
- Kies een lage rijsnelheid zodat u niet hoeft te stoppen of te schakelen als u op een helling rijdt.
- Maai niet op nat gras. Banden kunnen tractie verliezen.
- Vermijd starten, stoppen en draaien op een helling. Als de banden hun grip verliezen, schakel dan de bladen uit en ga langzaam rechuit de helling af.
- Laat alle bewegingen op hellingen langzaam en geleidelijk verlopen. Maak geen plotselinge veranderingen in snelheid of richting, waardoor de machine zou kunnen omrollen.
- Wees extra voorzichtig bij het bedienen van de machine met hulpstukken; deze kunnen de stabiliteit van de machine beïnvloeden. Rijd niet op steile hellingen.
- Als u de optionele toebehoren (graszak) gebruikt, moet u uiterst voorzichtig zijn en de maaier langzaam laten werken als u op hellingen werkt, omdat de graszak de stabiliteit van de maaier kan veranderen.
- Gebruik altijd de remmen bij het afdalen van de helling. Probeer niet om de maaier in de neutrale stand achteruit te laten rijden.

## 5 ELEKTRISCH SYSTEEM

### 5.1 VEILIGHEID ELEKTRISCH SYSTEEM

- Verwijder de sleutel en de accu's, en lees de gebruikershandleiding voordat u de machine aanpast of repareert.
- Verwijder altijd de sleutel en de accu's alvorens aan de machine te werken.
- Verwijder altijd de sleutel en de accu's wanneer u de machine vervoert.
- Houd de machine vrij van grasresten, bladeren en ander afval. Sproei GEEN water om de machine te reinigen. Gebruik alleen perslucht. Draag geschikte oog- en gehoorbescherming wanneer u de machine reinigt.
- Draag altijd een veiligheidsbril en beschermende kleding in de buurt van de accu. Gebruik geïsoleerd gereedschap.
- Maak het accuvak, het aandrijfmotorcompartiment, het maaidek, de zitting, etc. schoon van alle vuil en afval. Gebruik geen oplosmiddelen, agressieve reinigingsmiddelen of schuurmiddelen.
- Met de sleutel in de stand ON kan het maaiblad worden ingeschakeld wanneer de AAN/UIT-schakelaar (PTO) van het maaidek is ingeschakeld, zelfs als de aandrijfmotor niet draait. Houd het gebied vrij van omstanders wanneer u de AAN/UIT-schakelaar van het maaidek inschakelt.
- Alle onderhouds- en opslagruimten moeten naar behoren worden geventileerd overeenkomstig de toepasselijke brandvoorschriften en -verordeningen om brandgevaar te voorkomen.

- Laat nooit vlammen, vonken of roken toe in de buurt van accu's.
- Houd accu's buiten bereik van kinderen.
- Houd beschermkappen, afdekkingen en afschermingen altijd op hun plaats en goed gesloten. Als ze beschadigd raken, moeten ze onmiddellijk worden gerepareerd of vervangen. Wzigig of verwijder nooit veiligheidsvoorzieningen.

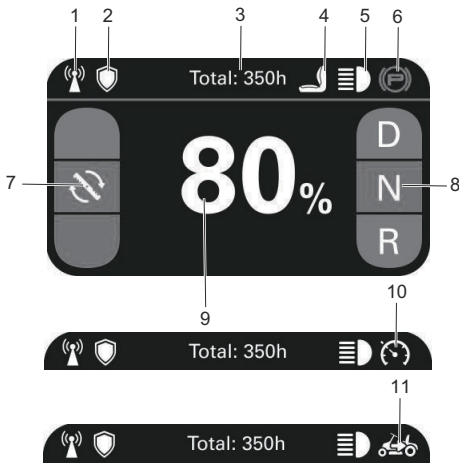
### 5.2 INFORMATIE OVER HET ELEKTRISCH SYSTEEM

De Cramer maaier wordt aangedreven door een 82-volt elektrisch systeem. Het bestaat uit de volgende onderdelen:

1. Blad- en rijcontroller (1)
2. Bladmotor (2)
3. Gaspedaal (1)
4. Digitaal display (1)
5. Wielen motor (1)
6. Accuvak (1)

### 5.3 DIGITAAL DISPLAY

De functie van het digitale display, dat zich op het bedieningspaneel bevindt, is het verstrekken van elektrische systeem informatie aan de gebruiker. Het geeft gedetailleerde informatie in de vorm symbolen, codes en nummers.



#	Naam	Functie
3	Totaal : 350h	Werktijd voertuig
4		De zittingschakelaar is gesloten.
5		Ledverlichting
6		De parkeerrem is aangetrokken.
7		Bladsnelheid
8	D/N/R	Rijrichting: Vooruit (D), Neutraal (N) en Achteruit (R).
9	80%	Accupercentage
10		Cruisecontrol
11		Achteruit maaien is geactiveerd.

#	Naam	Functie
1		4G GPS-sigitaal
2		GreenShield

## 6 FOUTEN

Het CANBUS-systeem zal actie ondernemen om de gebruiker en de machine te beschermen wanneer het een probleem detecteert. Wanneer de machine of een onderdeel wordt uitgeschakeld, geeft hij aan dat er een fout is opgetreden, en die fout wordt op het digitale display weergegeven. Alle elektrische fouten hebben een lettercode gevolgd door een nummer. De eerste letter beschrijft het systeem dat de fout heeft veroorzaakt volgens dit schema:

Naam	Betekenis
T	Rijcontroller en motor
PMU	Power Management Unit (in het accuvak)
ML	Linker blad motorcontroller
MR	Rechter blad motorcontroller
V	Voertuig

## 6.1 FOUTCODE

Foutcode	Beschrijving	Oplossing
T11	Overspanning	De spanning is te hoog. Herstart de stroomvoorziening.
T12	Onderspanning	De spanning is te laag. Laad het accupack op voor gebruik.
T13	Fout in de zelftest van de controller	Als u dit probleem tegenkomt, neem dan contact op met uw distributeur voor een oplossing.
T14	Aandrijfmotor vastgelopen	Controleer of de aandrijfwielen vastzitten en herstart de stroomvoorziening.
T15	Motorencoder fout	Controleer of de Hall-effect connector van de rijcontroller goed is aangesloten, en start dan de stroomvoorziening opnieuw op.
T16	Fout in besturingscircuit controller	Als u dit probleem tegenkomt, neem dan contact op met uw distributeur voor een oplossing.
T17	Overtemperatuur van de rijcontroller	De temperatuur van de controller is te hoog. Wacht tot de controller is afgekoeld en start dan de stroomvoorziening opnieuw op.
T18	Oververhitting van de aandrijfmotor	De ingestelde temperatuur is te hoog. Wacht tot de motor is afgekoeld en start dan de stroomvoorziening opnieuw.
T21	Temperatuursensor van de aandrijfmotor abnormaal	Controleer de bedrading van de temperatuursensor op afwijkingen.
T22	Overstroom van de controllerhardware van de aandrijving	De belasting is te hoog. Herstart de stroomvoorziening.
T23	Fout vóór het laden	Herstart de stroomvoorziening.
T25	Overstroom van de aandrijfsoftware	De belasting is te hoog. Herstart de stroomvoorziening.
T26	Aandrijving MOS fout	Als u dit probleem tegenkomt, neem dan contact op met uw distributeur voor een oplossing.
T27	Faseverlies van de motor	Controleer of de motorkabels van de rijcontroller correct zijn aangesloten en start dan de stroomvoorziening opnieuw.
T28	Overtemperatuur van de rijcontroller	De temperatuur van de controller is te hoog. Wacht tot de controller is afgekoeld en start dan de stroomvoorziening opnieuw op.
V14	Volgorde achterraut maaien onjuist	Druk op de knop voor achteruit maaien voordat u achteruit maait.
V15	Fout in de zelftest van het voertuig	<ol style="list-style-type: none"> <li>1. Controleer voordat u het voertuig start of de rem in de ingeschakelde stand staat.</li> <li>2. Voordat u het voertuig start, zet u de schakelaar van het blad in de uit-stand en controleert u of de schakelaar van het blad goed is aangesloten.</li> <li>3. Zet de FNR-versnellingspook in de N-stand voordat u het voertuig start.</li> <li>4. Controleer of de connector onder de zitting goed is aangesloten.</li> <li>5. Druk niet op de cruisecontrolknop als u het voertuig start.</li> <li>6. Trap het gaspedaal niet in bij het starten van het voertuig.</li> </ol>
V16	Bedieningsvolgorde onjuist	Zet het gaspedaal en de bladschakelaar terug in hun uitgangspositie.

Foutcode	Beschrijving	Oplossing
V17	SPI-communicatiefout	Herstart de stroomvoorziening.
V18	Defect accuvak (PMU)	Controleer of de gaspedaalkabels goed zijn aangesloten en herstart de stroomvoorziening.
V22	bladsignaal abnormaal	Controleer of de bladstartschakelaar correct is aangesloten, en zet de schakelaar vervolgens terug in de uitgangspositie.
V21	PMU CAN-communicatiefout	Communicatie met het accuvak is timeout. Herstart de stroomvoorziening.
V23	Zittingschakelaar abnormaal	Controleer of de connector onder de zitting goed is aangesloten, en start dan de stroomvoorziening opnieuw.
ML3	Linker blad software overstroom	Controleer de maaibelasting en start de stroomvoorziening opnieuw.
ML4	Linker blad vastgelopen	Controleer de maaibelasting en zet de bladstartschakelaar terug in de uitgangspositie.
ML6	MOS-fout links	Als u dit probleem tegenkomt, neem dan contact op met uw distributeur voor een oplossing.
ML7	Faseverlies bladmotor links	Controleer of de kabels van de bladcontroller en de motor goed zijn aangesloten, en start vervolgens de stroomvoorziening opnieuw op.
ML9	Temperatuur linker bladcontroller abnormaal	De temperatuur van de controller is te hoog. Wacht tot de controller is afgekoeld en start dan de stroomvoorziening opnieuw op.
ML14	Linker blad hardware overstroom	Controleer de maaibelasting en start de stroomvoorziening opnieuw.
ML15	Linker blad start niet	Controleer de maaibelasting en zet de bladstartschakelaar terug in de uitgangspositie.
MR3	Bescherming tegen te lage snelheid van de motor	Controleer de maaibelasting en start de stroomvoorziening opnieuw.
MR4	Bescherming tegen te hoog toerental van de motor	Controleer de maaibelasting en zet de bladstartschakelaar terug in de uitgangspositie.
MR6	Motor Hall-sensor fout	Als u dit probleem tegenkomt, neem dan contact op met uw distributeur voor een oplossing.
MR7	Faseverlies van de controller	Controleer of de kabels van de bladcontroller en de motor goed zijn aangesloten, en start vervolgens de stroomvoorziening opnieuw op.
MR9	MOSFET open circuit fout	De temperatuur van de controller is te hoog. Wacht tot de controller is afgekoeld en start dan de stroomvoorziening opnieuw op.
MR14	Controller onderspanning	Controleer de maaibelasting en start de stroomvoorziening opnieuw.
MR15	Controller overspanning	Controleer de maaibelasting en zet de bladstartschakelaar terug in de uitgangspositie.
PMU10	Fout in accupack open circuit	De temperatuur van het accuvak en de accu is te laag. Gebruik de machine bij een geschikte temperatuur en start de stroomvoorziening opnieuw op.
PMU11	PMU grote fout	De temperatuur van het accuvak en de accu is te hoog. Wacht tot de accu is afgekoeld en start dan de stroomvoorziening opnieuw op.

Foutcode	Beschrijving	Oplossing
PMU12	PMU secundaire fout	Door een grote fout in het accuvak konden de aandrijving en het bladsysteem niet starten. Start de stroomvoorziening opnieuw en probeer het opnieuw.
PMU13	Geen accupack beschikbaar	Controleer of u het juiste accupack gebruikt, en start vervolgens de stroomvoorziening opnieuw op.
PMU	Onvoldoende accu's beschikbaar, functionaliteit kan beperkt zijn.	Plaats meer accu's.
N.v.t.	Communicatiefout display	Controleer de aansluitingen van het display en het CAN-netwerk.
	Onjuiste display geselecteerd	Selecteer het juiste display voor uw voertuigmodel

## 7 ONDERHOUD

### 7.1 ONDERHOUD VAN DE MAAIBLADEN

Controleer de maaibladen dagelijks. Zij zijn de sleutel tot vermogensefficiëntie en een goed verzorgde grasmat. Houd de bladen scherp - een bot blad scheurt het gras in plaats van het te snijden, waardoor er binnen een paar uur een bruine rafelige top op het gras achterblijft. Een bot blad vergt ook meer kracht. Vervang elk blad dat verbogen, gebarsten of gebroken is.

#### ▲ WAARSCHUWING

Probeer nooit een gebogen blad recht te maken door het te verhitten, of een gescheurd of gebroken blad te lassen, want het blad kan breken en ernstig letsel veroorzaken. Vervang versleten of beschadigde bladen.

#### ▲ WAARSCHUWING

Werk nooit met bladen terwijl de sleutel in het contactslot zit. Draai de sleutel in de OFF-positie, verwijder de accu's uit de machine. Blokkeer de maaier als u eronder moet werken. Draag handschoenen bij het hanteren van bladen. Controleer altijd op beschadiging van het blad als de maaier een steen, een tak of andere vreemde voorwerpen raakt!

#### ▲ GEVAAR!

Het bijwerken van de scherpte van het blad kan met een vijl. Controleer de bladen op balans na het slijpen. Een in de handel verkrijgbaar balanceerwerktool is verkrijgbaar bij de meeste ijzerwinkels, of u kunt het blad uitbalanceren door het op een omgekeerde lijnpons of een 12,7 mm bout te plaatsen. De balans van het blad mag niet overhellen of kantelen. Terwijl u het blad langzaam ronddraait, mag het niet wiebelen. Als het blad uit balans is, moet u het uitlijnen voordat u het opnieuw installeert. Leg het blad op een vlakke ondergrond en controleer op vervorming. Vervang elk vervormd blad.

#### ▲ WAARSCHUWING

- Het gebogen deel van het blad moet omhoog wijzen naar de binnenkant van het maaidek om goed te kunnen maaien.
- Wanneer u bladen monteert, moet u ze na montage draaien om ervoor te zorgen dat de bladpunten elkaar of de zijanten van de maaier niet raken.
- Als de bout niet correct wordt aangedraaid, kan het blad verloren gaan, wat ernstig letsel kan veroorzaken.
- Maaibladen zijn scherp en kunnen snijden. Draag handschoenen en wees extra voorzichtig bij het onderhoud.

### 7.1.1 VERVANG HET BLAD

Zie afbeelding 17

1. Stop de motor, verwijder de startsleutel en stel de parkeerrem in werking.
2. Verhoog de hoogte van het maaidek tot de hoogste stand om toegang tot de bladen mogelijk te maken.

## **i** OPMERKING

Breng de maaier zo nodig omhoog door hem op een lift te zetten of door een krik en kriksteunen te gebruiken, of verwijder het maaidek zoals beschreven in het vorige hoofdstuk om toegang te krijgen tot de bladen.

## **▲** WAARSCHUWING

Als u de maaier optilt om bij de bladen te komen, moet u ervoor zorgen dat de maaier goed staat en dat de parkeerrem is ingeschakeld voordat u verder gaat. Als u de maaier niet goed vastzet, kan deze vallen, met de dood of mogelijk ernstig lichamelijk letsel tot gevolg.

3. Klem een blok hout tussen het blad en het maaidek om te voorkomen dat het blad draait.
4. Draai de bladmoer los door hem linksom te draaien (gezien vanaf de onderkant van de maaier) met behulp van een 16 mm sleutel of dopsleutel (niet meegeleverd).
5. Verwijder de bladmoer, spacer, bladisolator en het blad.
6. Schroef de bladmoer op de as en draai hem handvast.
7. Draai de bladmoer met de klok mee vast met een momentsleutel (niet meegeleverd) om er zeker van te zijn dat de bout goed vastzit. Het aanbevolen aanhaalmoment voor de moer is 90 Nm~ 100 Nm.

## **▲** WAARSCHUWING

Zorg ervoor dat het blad goed zit en dat de moer van het blad is vastgedraaid met het bovenstaande koppel. Als u het blad niet correct bevestigt, kan het losraken en mogelijk ernstig persoonlijk letsel veroorzaken.

8. Herhaal dit zo nodig met het tweede blad.

## **i** OPMERKING

Zorg ervoor dat alle onderdelen in de juiste volgorde worden teruggeplaatst.

## **7.2 VERVANG DE KOPLAMP**

Zie afbeelding 18

Bel de klantenservice of bezoek onze website online om een nieuwe koplamp te bestellen.

1. Parkeer de maaier op een vlakke ondergrond en stel de parkeerrem in.
2. Stop de motor en verwijder de sleutel.
3. Verwijder de zeskantbout en de platte ring waarmee het bodempaneel van de maaier op zijn plaats wordt gehouden en leg deze opzij.
4. Til het vloerpaneel iets op om bij de twee zeskantschroeven en platte ringen te komen waarmee de koplamp op zijn plaats wordt gehouden. Verwijder de schroeven en ringen en zet ze opzij.
5. Maak de oude koplamp los.
6. Nieuwe koplamp aansluiten en sluitringen en schroeven weer aanbrengen. Draai ze goed vast.
7. Laat het vloerpaneel zakken en breng de sluitring en schroef weer aan om het paneel vast te zetten.

## **7.3 BANDEN**

Voor vlak maaien is het belangrijk dat alle banden de juiste bandenspanning hebben. De aanbevolen druk is:

## **i** OPMERKING

De bandenspanning mag alleen worden gemeten of aangepast als de banden koud zijn.

Aandrijfwielen	8 psi
Zwenkwielen	24 psi

## **i** OPMERKING

Inspecteer de banden dagelijks. Bij beschadiging onmiddellijk vervangen.

## ▲ WAARSCHUWING

Controleer de bandenspanning zorgvuldig tijdens het oppompen. Als er te veel lucht in de band zit, kan de band barsten en ernstig persoonlijk letsel veroorzaken.

### 7.4 SMERING

Zie afbeelding 19

Voeg olie toe voor gebruik.

Type olie	SAE85W-140
Oliecapaciteit	180 ml

Neem contact op met uw Cramer dealer om de smering te vervangen.

## i OPMERKING

Vervang de versnellingsbakolie nadat u de machine voor het eerst 50 uur hebt gebruikt en vervang de olie vervolgens om de 200 uur.

### 7.5 KOPPELWAARDEN

## ▲ WAARSCHUWING

Bijzondere aandacht moet worden besteed aan het aandraaien van de wielmoeren van het aandrijf wiel en de bouten van het blad. Als u deze items niet correct aandraait, kan dit leiden tot verlies van een wiel of blad, wat ernstige schade of persoonlijk letsel kan veroorzaken.

De aanhaalmomenten worden hieronder gegeven:

Onderdeel	Ft-lbs.	Nm
Wielmoeren	89	120
Bladbout	66	90

**Alleen wielmoeren** -Aanbevolen wordt deze te controleren na de eerste 2 bedrijfsuren, in het begin, om de 100 uur en na verwijdering voor reparatie of vervanging.

### 7.6 ONDERHOUD VAN HET ACCUPACK

Uw Cramer maaier wordt aangedreven door een accupack die, mits goed onderhouden, jarenlang meegaat. Volg de volgende instructies voor het juiste onderhoud:

- Laad de accu's altijd op na elk gebruik.
- Wanneer een accupack volledig is ontladen en uitgeschakeld, kunt u de accu het beste zo snel mogelijk weer opladen. Overmatige ontlading van het accupack betekent dat de levensduur van de accu wordt verkort en dat de accu permanent beschadigd kan raken. Het is niet nodig om het accupack volledig op te laden; zelfs als u de accu slechts 5-10 minuten oplaadt, is dit al voldoende. Het is het beste om het binnen 24 uur op te laden.
- Voorkom dat gras, vuil en afval zich in de buurt van de accupolen en in de buurt van de accu verzamelen.
- Laad de accu's binnenshuis op in een goed geventileerde en droge ruimte, uit de buurt van vonken of vlammen. Stel de lader nooit bloot aan regen, damp of vloeistof.
- Laad alleen lithiumaccu's geleverd door Cramer.
- Raak het ongeïsoleerde deel van de lader (aansluitpinnen) of van de uitgangconnector niet aan.
- Niet gebruiken met defecte snoeren en draden. Vervang defecte snoeren en draden onmiddellijk.
- Voor langdurige opslag, zorg voor een opslagtemperatuur van -20°C - 45°C binnen één maand, en 0°C - 35°C tussen twee en twaalf maanden.
- De werkomgeving van het accupack is -20°C -55°C voor ontladen, en 0°C-55°C voor opladen.

## 7.7 ONDERHOUD VAN HET ACCUVAKFILTER

Vervang het accuvakfilter elke 200 uur.

## 7.8 SERVICE

### i BELANGRIJK

Wacht tot alle beweging is gestopt alvorens de machine af te stellen, te reinigen of te repareren. Reparaties of onderhoud waarvoor stroom nodig is, mogen alleen worden uitgevoerd door opgeleid onderhoudspersoneel. Lees de veiligheidswaarschuwingen voorin de handleiding en neem deze in acht.

### i BELANGRIJK

Reparaties of onderhoud waarvoor stroom nodig is, mogen alleen worden uitgevoerd door opgeleid onderhoudspersoneel.

- Parkeer de maaier op een vlakke ondergrond. Zorg ervoor dat de besturingshendels in de neutrale stand staan en dat de PTO-schakelaar in de OFF-positie staat. Til het dek op, draai de sleutel in de OFF-positie, verwijder de sleutel uit de schakelaar en verwijder de accu's uit het accuvak onder de zitting.
- Alle onderhoudswerkzaamheden waarbij de veiligheidsafdekkingen moeten worden verwijderd, moeten worden uitgevoerd door een opgeleide onderhoudstechnicus.
- Gebruik geschikte hulpmiddelen om onder de maaier schoon te maken, en zorg ervoor dat geen enkel lichaamsdeel - vooral armen en handen - onder de maaier zit.
- Houd uw machine schoon en verwijder alle afval en maaisel.
- Houd het accuvak, het maaidek en de bedieningsplaats schoon van opgehoopt afval, gemaaid gras en ander afval.
- Maak het accuvak, het aandrijfmotorcompartiment, het maaidek, de zitting, etc. schoon van alle vuil en afval. Gebruik voor het reinigen alleen perslucht. Gebruik geen water, oplosmiddelen, agressieve reinigingsmiddelen of schuurmiddelen.
- Draag altijd geschikte oogbescherming bij het onderhoud van de accu's of bij het slijpen van de maaibladen en het verwijderen van opgehoopt vuil. Probeer nooit om aanpassingen of reparaties uit te voeren aan het aandrijfsysteem van de maaier, het maaidek of een hulpstuk terwijl de tractieaandrijving in werking is. Reparaties of onderhoud waarvoor stroom nodig is, mogen alleen worden uitgevoerd door opgeleid onderhoudspersoneel.
- Werk nooit onder de machine of het aanbouwdeel tenzij deze veilig is ondersteund met kriksteunen. Zorg ervoor dat de machine stevig staat wanneer hij wordt opgeheven en op de kriksteunen wordt geplaatst.
- De kriksteunen mogen niet toelaten dat de machine beweegt wanneer de tractieaandrijving in werking is en de aandrijfwielen draaien. Gebruik alleen gecertificeerde kriksteunen. Gebruik alleen geschikte kriksteunen met een minimum draagvermogen van 900 kg om de machine te ondersteunen. Gebruik altijd twee kriksteunen. Volg de instructies die bij de kriksteunen worden geleverd.
- Raak geen hete onderdelen van de machine aan.
- Houd bouten en moeren vastgedraaid, vooral de bouten van de bladbevestiging. Houd de machine in goede staat.
- Knoei nooit met veiligheidsvoorzieningen. Controleer regelmatig hun goede werking.
- Draai de sleutel in de OFF-positie voordat u de uitwerpopening ontstopt.
- Maak de uitwerpopening nooit vrij terwijl de machine draait. Draai de sleutel in de OFF-positie en zorg ervoor dat de bladen stilstaan voordat u ze schoonmaakt. Gebruik een stok om een verstopte uitwerpopening vrij te maken. Gebruik nooit uw handen!
- Stop de machine en laat de bladen stilstaan voordat u de uitwerpopening ontstopt. Onderdelen van grasopvangsystemen zijn onderhevig aan slijtage, beschadiging en veroudering, waardoor bewegende delen bloot kunnen komen te liggen of voorwerpen kunnen worden geworpen. Controleer regelmatig de onderdelen en vervang deze indien nodig door door de fabrikant aanbevolen onderdelen.
- Wees voorzichtig wanneer u onder het maaidek werkt, want de maaibladen zijn uiterst scherp. Draag handschoenen en wees extra voorzichtig bij het onderhoud.
- Gebruik alleen originele Cramer maaieronderdelen om ervoor te zorgen dat de originele normen worden gehandhaafd.
- Verwijder altijd de accu's wanneer u de machine vervoert. Houd de machine vrij van grasresten, bladeren en ander afval.



- Controleer regelmatig de werking van de remmen. Afstellen en onderhoud indien nodig.
- Onderhoud of vervang zo nodig veiligheids- en instructielabels.
- Laat uw zitmaaier onderhouden door een gekwalificeerde reparateur die uitsluitend identieke vervangingsonderdelen gebruikt. Zo blijft de veiligheid van de zitmaaier gewaarborgd.
- Laad alleen op met de laders die door de fabrikant zijn aangegeven. Een oplader die geschikt is voor een bepaald type accupack kan tot brandgevaar leiden wanneer deze wordt gebruikt met een andere accu.

## 8 VERVOER EN OPSLAG

### 8.1 TRANSPORT

#### ▲ WAARSCHUWING

Wees extra voorzichtig bij het laden of lossen van de machine in een aanhangwagen. Druk op de knop voor lage snelheid en beweeg voorzichtig de aandrijfhendels om de snelheid te regelen. Ga bij het laden altijd achteruit op de aanhangwagen. Bij het laden of lossen van de maaier mag de aanbevolen maximale bedieningshoek van 15° niet worden overschreden. Het niet opvolgen van deze instructies kan leiden tot verlies van controle en de dood, ernstig persoonlijk letsel of materiële schade tot gevolg hebben.

#### ▲ WAARSCHUWING

Wees voorzichtig bij het laden of lossen van de maaier op een aanhangwagen. Zorg ervoor dat het maaidek in de hoogste stand staat, zodat het niet vast komt te zitten op de oprit. De wielen van de maaier kunnen van het platform of de aanhangwagen afraken, waardoor de maaier kan kantelen of omvallen, en er een kneelgevaar ontstaat dat de dood of ernstig lichamelijk letsel kan veroorzaken.

1. Parkeer de maaier op een vlakke ondergrond.
2. Zet het maaidek in de hoogste stand.
3. Plaats en bevestig de oprijplaat op de aanhangwagen volgens de instructies van de fabrikant.

#### i OPMERKING

Wij raden u aan één laadklep over de volle breedte te gebruiken die minstens 1 m breder is dan de maaier, om het risico te minimaliseren dat de wielen van de maaier van de zijkant van de klep raken.

4. Zet de maaier langzaam terug op de helling en in de aanhanger.
5. Laat het maaidek volledig zakken.
6. Stel de parkeerrem in.
7. Schakel de maaier uit en verwijder de sleutel.
8. Zet de maaier zo nodig vast met riemen of kabels om beweging tijdens het vervoer te voorkomen.

#### ▲ WAARSCHUWING

Verwijder altijd de startsleutel en stel de parkeerrem in wanneer u de maaier vervoert, om te voorkomen dat deze per ongeluk wordt gestart of in beweging komt, wat tot ernstig persoonlijk letsel kan leiden.

### 8.2 REINIGING EN OPSLAG

#### 8.2.1 DE MACHINE REINIGEN

- Verwijder gras en bladeren op of rond het motordekseel (gebruik geen hogedrukpistool om de motor door te spoelen).
- Veeg de maaier af en toe schoon met een droge doek.
- Als er zich tijdens het gebruik vuil aan de onderkant van de maaier ophoopt, dient u de motor te stoppen, de machine uit te zetten en dit met een geschikt gereedschap schoon te schrapen.

#### 8.2.2 HET MAAIDEK SCHOONMAKEN

Zie afbeelding 20

- Zet de handrem in de parkeerstand.

- Stel de maaidekhoogte in op de laagste stand.
- Bevestig de meegeleverde snelkoppeling van de waspoort aan de tuinslang.
- Bevestig de tuinslang met snelkoppeling aan de waspoort op het maaidek. De waspoort zit aan de linkerkant van het maaidek.
- Draai de waterkraan open.
- Trek aan de PTO-schakelaar om de bladen te starten en stel de bladsnelheid in op de hoogste stand.
- Spoel water onder het dek gedurende ongeveer een minuut.
- Schakel de maaibladen uit door de PTO-schakelaar omlaag te drukken.
- Draai de waterkraan dicht en verwijder de tuinslang en de snelkoppeling uit de waspoort.
- Verwijder de snelkoppeling van de tuinslang en bewaar deze voor toekomstig gebruik.
- Zet de maaier helemaal uit.

## 8.2.3 OPSLAG VAN DE MACHINE

De volgende stappen moeten worden genomen om de machine gereed te maken voor opslag.

- Reinig de machine zoals beschreven in de vorige paragraaf.
- Controleer het blad en vervang of slijp het, indien nodig (zie het hoofdstuk Onderhoud).
- Bewaar de machine niet naast corrosieve materialen, zoals kunstmest of steenzout.
- Houd de machine buiten bereik van kinderen.
- Dek de machine niet af met bouwplastic. Plastic bekledingen houden vocht vast rond de machine, wat roest en corrosie veroorzaakt.
- Controleer grondig op versleten of beschadigde onderdelen die vervangen moeten worden en bestel deze bij uw dealer.
- Neem contact op met het servicecentrum om de machine grondig te smeren.
- Laad de accu's volledig op voordat u deze opslaat.
- Laat de banden niet leeglopen.
- De machine moet worden opgeslagen op een goed geventileerde, schone en droge plaats, aangezien de acculader niet kan worden gebruikt in een natte omgeving.
  - Houd de accu's altijd volledig opgeladen. Het is vooral belangrijk om schade aan de accu te voorkomen wanneer de temperatuur lager is dan 0°C.
  - Sluit de laadadapter aan op de laadpoort en de accu's volgens het hoofdstuk Laadadapter in het hoofdstuk Elektrisch systeem.
  - Steek de stekker van de lader in het stopcontact. Zie de gedeelten Acculader, Accu opladen en Laadaanbevelingen in het hoofdstuk Elektrisch systeem voor meer details over het gebruik van de lader en het opladen van de accu's.
  - Voor een maximale levensduur van de accu's kunt u ze het beste kort na elk gebruik volledig opladen.

## 8.2.4 KLAARMAKEN VOOR GEBRUIK NA OPSLAG

De volgende stappen moeten worden genomen voordat de maaier wordt gebruikt nadat hij is opgeborgen:

- Laad de accu's volledig op.
- Controleer de bandenspanning en pomp deze zo nodig op.
- Rijd kort met de maaier en controleer of alle systemen en onderdelen correct functioneren.

## 9 PROBLEEMOPLOSSING

PROBLEEM	MOGELIJKE OORZAAK	OPLOSSING
Het voertuig beweegt niet.	Het accupack is niet geplaatst Cramer of het accupack is van het verkeerde type.	Om de normale werking van het voertuig te garanderen, moet ten minste 1 Cramer accupack in het accuvak wordt geplaatst.
	Het accupack is niet opgeladen.	Controleer het vermogen van h accupack.
	Er zit niemand op de zitting of de zittingschakelaar is niet gesloten.	Zorg ervoor dat de gebruiker op de zitting zit.
	De parkeerrem is aangetrokken.	Zorg ervoor dat u de parkeerrem volledig uitschakelt, zodat de wielen vrij kunnen draaien.
	Het accuvak is in slapende toestand.	Zet de sleutel in de UIT-stand en wacht meer dan 5 seconden voordat u de machine opnieuw start.
Plotselinge stop tijdens het rijden	De accu is niet opgeladen.	Om de normale werking van het gehele voertuig te waarborgen, moet u ten minste 1 Cramer accupack in het accuvak hebben.
	Ruwe en hobbelige wegen, waardoor de zittingschakelaar wordt uitgeschakeld.	Stel de parkeerrem in en start de machine opnieuw en druk op de joystick.
	Fout gaspedaal.	Contact Cramer uw dealer.
	Rijcontroller is defect.	Contact Cramer uw dealer.
Het blad werkt niet na het overhalen van de PTO-schakelaar.	Het accupack is niet geplaatst Cramer.	Om de normale werking van het gehele voertuig te waarborgen, moet u ten minste 1 Cramer accupack in het accuvak hebben.
	Het accuvermogen is lager dan 5%.	Controleer het vermogen van het accupack; als het vermogen van de accu laag is, moet u de accu opladen.
	De zittingschakelaar is niet gesloten.	Zorg ervoor dat de gebruiker op de zitting zit.
	De bladschakelaar (PTO) staat niet in de beginstand voor het inschakelen.	Druk op de PTO en trek hem weer omhoog.
	Bladmotorblokkering of andere functionele bescherming.	Controleer of er geen onkruid of andere vreemde voorwerpen in de verbinding tussen het blad en de motor zitten, zodat het blad soepel kan draaien. Het wordt aanbevolen het dek omhoog te trekken en het blad te starten voordat u het dek in de gewenste versnelling zet.
	Loopcontroller is defect.	Controleer of er geen andere fout op het display wordt weergegeven.
Het blad stopt bij het maaien van gras.	Bladcontroller is defect.	Controleer de foutcode op het display.
	Bladmotor overbelasting.	Reinig de binnenkant van het maaidek, controleer of er geen abnormale bladrotatie is, druk de PTO in, start de machine opnieuw en verminder de bladbelasting, hetzij door de hoogte van het maaidek te verhogen, hetzij door de rijsnelheid te verlagen.
	De accutemperatuur is te hoog.	Gebruik de accu niet onmiddellijk nadat het opladen is voltooid, anders kan de fout in de temperatuurbeveiliging van het accupack optreden.
	Het accuvermogen is lager dan 5%.	Het accupack is bijna leeg, laad de accu op.

PROBLEEM	MOGELIJKE OORZAAK	OPLOSSING
	Het blad wordt geraakt door een vreemd voorwerp, waardoor het plotseling stopt.	Zet de sleutel in de OFF-positie en wacht meer dan 5 seconden alvorens de machine opnieuw te starten.
	Rijcontroller is defect.	Controleer de foutcode op het display.
De maaier maait het gras ongelijk, en het hoogteverschil is erg groot.	Het blad is bot.	Reinig het blad volgens de handleiding.
	Het blad is verbogen.	Vervang het blad volgens de instructies en draag beschermende kleding.
	Het dek is niet vlak.	Maak het dek vlak volgens de instructies om ervoor te zorgen dat de linker- en rechterhoogte gelijk zijn.
De werkelijke maaihoogte komt niet overeen met de gekozen gemarkeerde maaihoogte.	Losse bevestigingsbouten van het dek.	Stel de bevestigingsbouten van het dek bij om ervoor te zorgen dat het stevig is geïnstalleerd. Opmerking: het dek moet opnieuw worden genivelleerd nadat de bevestigingsbouten zijn bijgesteld.
	Het dek is ernstig versleten of beschadigd.	Een dek vervangen.
Abnormaal versnipperen	Het gazon is te nat.	Controleer voor het maaien de toestand van het gras. Als het gras te nat is, wacht dan totdat het gras gedroogd is.
	De maaier is ingesteld om te veel gras in één keer te maaien.	Als het gras te dicht en te hoog is, verhoog dan het maaidek en vermijd zoveel mogelijk het maaien van zwaar gras.
Overmatige machinetrillingen	De bladen zitten los.	Reinig het blad volgens de methode in de handleiding.
	De bladen zijn verbogen.	Vervang het blad volgens de instructies en draag beschermende handschoenen.
	Ongelijk dek.	Maak het dek vlak volgens de instructies om ervoor te zorgen dat de linker- en rechterhoogte gelijk zijn.
	Los dek.	Vergrendel de vaste bouten van het dek.
	De maaier is ingesteld om te veel gras in één keer te maaien.	Als het gras te dicht en te hoog is, verhoog dan het maaidek, probeer zwaar gras te vermijden.
Gras of afval dat na het maaien op de grond blijft liggen.	De maaier is ingesteld om te veel gras in één keer te maaien.	Als het gras te dicht en te hoog is, verhoog dan het maaidek; als het gras hoger is dan 15 cm, gebruik dan twee maaicycli om het maai-effect te bereiken, probeer zwaar gras te vermijden.
	Het gras is te nat.	Als het gras te nat is, wacht dan totdat het gras gedroogd is.
	De rijsnelheid is te hoog.	Verlaag de rijsnelheid.
	De snijsnelheid van het blad is te laag.	Verhoog de snelheid van het blad.
Korte maaiperiode	Het maaien van zwaar gras kan leiden tot een korte maaiperiode.	Door het maaidek te verhogen of de snelheid van het blad te verlagen, kan de maaier langer meegaan op één lading.
Maaier rijdt niet rechtuit	Verschillende bandenspanning	Controleer de achterbandenspanning van de maaier regelmatig volgens de handleiding.
Het voertuig start niet na het wassen.	Onjuiste reiniging, zoals water in het ledscherm, het accuvak en andere elektronische onderdelen.	<ol style="list-style-type: none"> <li>Volg de instructies om de machine te reinigen.</li> <li>Als het voertuig per ongeluk nat is geworden, zet het dan 12 uur op een droge plaats of föhn het voor gebruik droog.</li> </ol>

PROBLEEM	MOGELIJKE OORZAAK	OPLOSSING
		3. Contact Cramer uw dealer.
De maaier is geblokkeerd.	Onkruid en afval stapelden zich op op het dek.	Volg de instructies om de machine elke keer na gebruik schoon te maken.
In de parkeerstand glijdt de machine snel over de helling en slijpt.	Ernstige bandenslijtage.	Neem contact op uw dealer om de banden te vervangen.
	De elektromagnetische rem is beschadigd of versleten.	Neem contact op met uw dealer om de elektromagnetische rem te vervangen.
	De elektromagnetische rem wordt handmatig gelost.	Controleer de elektromagnetische rem en zet hem terug in de uitgangspositie.

## 10 TECHNISCHE GEGEVENS

Model nr.	<b>82LT107</b>
Spanning	82 V
Bruto voertuiggewicht	106±3 kg
Lengte	170 cm
Hoogte	117 cm
Breedte (met afvoer)	135 cm
Breedte (zonder afvoer)	107 cm
Dekbreedte	107 cm
Voorwaartse snelheid	0-8 mph
Snelheid achteruit	0-3 mph
Maaihoogtebereik	3.81-11.4 cm
Regelknop voor maaihoogte	7 stuks
Snelheid zonder belasting	2400/3000/3200 RPM
Oplaadtijd	4 h (met 8 een lader)
Motorvermogen	1.2 kW (bladmotor)
	1.2 (aandrijfmotor)
MAX helling	15°
Aantal bladen (afvoer/mulch)	2
Gemeten geluidsdruk	$L_{pA} = 84.77 \text{ dB(A)}$ , $K_{pA} = 3 \text{ dB(A)}$
Gemeten geluidsvermogen	$L_{wA} = 98.24 \text{ dB(A)}$
Gegarandeerde geluidsdruk	$L_{wA,d} = 100 \text{ dB(A)}$
Trillingen	Armen: $\leq 2.5 \text{ m/s}^2$ , $K = 1.5 \text{ m/s}^2$
	Behuizing: $\leq 2.5 \text{ m/s}^2$ , $K = 1.5 \text{ m/s}^2$

## 11 BEPERKTE GARANTIE

### 11.1 WAT WORDT GEDEKT DOOR DEZE GARANTIE?

Cramer geeft de volgende garantie uitsluitend aan de oorspronkelijke koper ("Eigenaar") - de garantie is niet overdraagbaar:

**A. Huishoudelijk gebruik:** Cramer producten die voor normale huishoudelijke doeleinden worden gebruikt\*, hebben een garantie van vijf (5) jaar of 1500 gebruiksuren (wat het eerst wordt bereikt) vanaf de datum van aankoop op alle materialen en vakmanschap van chassis, dek en accu's. Verbruiksartikelen zoals banden en bladen hebben een garantie van dertig (30) dagen vanaf de datum van aankoop. Indien de Eigenaar binnen deze garantieperiode een defect in materiaal of vakmanschap ontdekt:

- De eigenaar moet dit onmiddellijk melden aan Cramer of een erkende dealer, schriftelijk of via e-mail, telefonisch, app of persoonlijk. Deze kennisgeving mag in geen geval Cramer later dan vijf (5) jaar na de datum van aankoop worden gemeld.
- Binnen een redelijke termijn na deze kennisgeving en verificatie van een gewaarborgd gebrek; Cramer zal elk defect in materiaal of vakmanschap aan het Cramer product door, naar eigen keuze, onderdelen te repareren of te vervangen door nieuwe of gebruikte vervangingsonderdelen.
- Deze reparatie, met inbegrip van onderdelen en arbeid, is voor rekening van Cramer aan de oorspronkelijke eigenaar.

**B. Commercieel gebruik:** Cramer producten die voor commerciële doeleinden worden gebruikt\*, hebben een garantie van vijf (5) jaar of 1500 gebruiksuren (wat het eerst wordt bereikt) vanaf de datum van aankoop op alle materialen en vakmanschap van chassis, dek en accu's. Verbruiksartikelen zoals (inclusief maar niet beperkt tot) banden en bladen hebben een garantie van dertig (30) dagen vanaf de datum van aankoop. Indien de Eigenaar binnen deze garantieperiode een defect in materiaal of vakmanschap ontdekt:

- De eigenaar moet dit onmiddellijk melden aan Cramer of een erkende dealer, schriftelijk of via e-mail, telefonisch, app of persoonlijk. Deze kennisgeving mag in geen geval Cramer later dan vijf (5) jaar na de datum van aankoop worden gemeld.
- Binnen een redelijke termijn na deze kennisgeving en verificatie van een gewaarborgd Cramer zal elk defect in materiaal of vakmanschap aan het Cramer product door, naar eigen keuze, onderdelen te repareren of te vervangen door nieuwe of gebruikte vervangingsonderdelen.
- Deze reparatie, met inbegrip van onderdelen en arbeid, is voor rekening van Cramer aan de oorspronkelijke (commerciële) eigenaar.

## i OPMERKING

Als de accu's niet goed worden onderhouden en niet volledig worden opgeladen, gaan ze minder lang mee en vervalt de garantie op de accu. De bepalingen van deze beperkte garantie zijn niet van toepassing op defecten die te wijten zijn aan:

- Misbruik of verwaarlozing zoals: waterschade, losse bedrading of verroeste of gecorrodeerde hardware.
- Gebrekkelijk onderhoud; schade veroorzaakt door onjuiste installatie van de accu; verwaarlozing, breuk, blootstelling aan extreme temperatuursomstandigheden, inclusief maar niet beperkt tot vriestemperaturen, hete temperaturen, nabijheid van warmtebronnen, inclusief verwarmingstoestellen of vuur, blootstelling aan water of andere stoffen, moedwil, gebruik van de accu in een overgeladen of ongeladen toestand.
- Een accu die wordt opgeladen door een ander systeem dan de originele acculader.

**Voetnoot:** *\*\*Normaal huishoudelijk gebruik\*\*, zoals hierin genoemd, betekent het gebruik van het product op hetzelfde perceel als uw huis. Gebruik op meer dan één locatie wordt beschouwd als commercieel gebruik, waarna de garantie voor commercieel gebruik van toepassing is.*

## 11.2 WIE MOET DE GARANTIESERVICE UITVOEREN?

Alle garanteservice wordt uitgevoerd door een Cramer erkende dealer of Cramer erkende onderhoudsmonteur. Onderhoudsbeurten en/of transportkosten van het product naar en van de erkende dealer, voor garantieterkzaamheden, zullen worden betaald door de eigenaar van het product. Neem voor service onder garantie contact op met een erkende dealer.

## 11.3 WAT WORDT NIET GEDEKT DOOR DEZE GARANTIE?

Cramer geeft geen garantie:

- Reparaties uitgevoerd door onbevoegden.
- Schade veroorzaakt door het gebruik van het Cramer product voor andere doeleinden dan waarvoor het ontworpen is.
- Schade veroorzaakt door rampen zoals brand, overstroming, wind en blikseminslag.

- Schade veroorzaakt door verwaarlozing, misbruik, abnormaal gebruik, oneigenlijk of onredelijk gebruik, ongeval, nalatigheid of verkeerd gebruik, zoals waterschade.
- Reparaties of vervanging als gevolg van het gebruik van niet-goedgekeurde onderdelen, accessoires of hulpstukken.
- Reparaties of vervanging als gevolg van wijzigingen of aanpassingen, naar het oordeel van Cramer die de werking, prestaties of duurzaamheid van de apparatuur negatief beïnvloedt.
- Producten, componenten of onderdelen die niet zijn vervaardigd door Cramer.
- Producten waarvan de identificatie is gewijzigd, met inbegrip van, maar niet beperkt tot, het verwijderen en/of onleesbaar maken van serienummers.
- Waardevermindering of schade veroorzaakt door normale slijtage, gebrek aan redelijk en behoorlijk onderhoud, het niet opvolgen van de gebruiksaanwijzing, de onderhouds- en afstelinstructies van het product of andere door Cramer.
- Onderdelen voor normaal onderhoud en service, waaronder, maar niet beperkt tot, smeermiddelen, afstelonderdelen, bladen, slijpen van bladen, lagers, afstellen van remmen of stuurinrichting.
- Producten met een niet-goedgekeurde programmering voor dat product, inclusief wijzigingen van parameters, aftermarket programmering of aanpassingen, of een niet-goedgekeurde wijziging van onderdelen, elektronica of software.

## 11.4 AFWIJZING VAN GARANTIE

De voorgaande garanties komen in de plaats van alle andere garanties, uitdrukkelijk of stilzwijgend, met inbegrip van maar niet beperkt tot de stilzwijgende garanties van verkoopbaarheid en geschiktheid voor een bepaald doel. Echter, indien het Cramer product als een consumentenproduct is aangeschaft, is elke impliciete garantie van verkoopbaarheid of geschiktheid voor een bepaald doel beperkt tot de duur van deze beperkte garantie. In sommige landen zijn beperkingen op de duur van een impliciete garantie niet toegestaan, zodat de bovenstaande beperking mogelijk niet op u van toepassing is. Deze garantie geeft u specifieke rechten en u kunt ook andere rechten hebben die van land tot land kunnen verschillen.

## 11.5 BEPERKING VAN RECHTSMIDDELEN

In geen geval zal Cramer aansprakelijk zijn voor enige speciale, incidentele of gevolgschade gebaseerd op schending van garantie, contractbreuk, nalatigheid, strikte aansprakelijkheid door onrechtmatige daad, of enige andere wettelijke theorie. Dergelijke schade omvat, maar is niet beperkt tot:

- Verlies van winst
- Verlies van besparingen of inkomsten
- Verlies van gebruik van het Cramer product of bijbehorende apparatuur
- Kosten van kapitaal
- Kosten van vervangende apparatuur, faciliteiten, diensten of uitvaltijd
- De vorderingen van derden, met inbegrip van klanten, en schade aan eigendommen

## 11.6 TIJDSLIMIET

Tenzij de wet anders bepaalt:

Elke vordering wegens inbreuk op de garantie moet worden ingesteld binnen vijf (5) jaar of zestig (60) maanden na de datum van aankoop in een residentiële en/of commerciële toepassing.

In het geval dat de productiedatum een redelijke termijn voorafgaand aan de eerste aankoop door de klant overschrijdt, Cramer garantie kan onderworpen zijn aan bijkomende beperkingen.

## 11.7 GEEN ANDERE GARANTIES

Deze overeenkomst wordt geacht de volledige en exclusieve overeenkomst tussen de partijen te zijn, die in de plaats komt van alle eerdere mondelinge of schriftelijke overeenkomsten en alle andere mededelingen tussen de partijen met betrekking tot het onderwerp van deze overeenkomst.

## 11.8 VERANTWOORDELIJKHEID VAN DE EIGENAAR

U moet uw Cramer product onderhouden volgens de onderhoudsprocedures beschreven in uw gebruikershandleiding. Dergelijk routine-onderhoud, of het nu door een dealer of door uzelf wordt uitgevoerd, is voor uw rekening.

Deze machine is, net als alle andere aangedreven apparatuur, potentieel gevaarlijk, tenzij correct bediend. Elke gebruiker moet voorzichtig zijn en altijd de veiligheid voor ogen houden. Iedere gebruiker moet, voordat hij het Cramer product gebruikt, zich grondig vertrouwd maken met de gebruikershandleiding betreffende de bediening en veiligheid van de machine, alsmede met alle veiligheidswaarschuwingen op de machine zelf.

## 11.9 TOEWIJZING VAN RISICO'S

Deze overeenkomst verdeelt de risico's van productfalen tussen Cramer en de eigenaar. Deze toewijzing wordt door beide partijen erkend en komt tot uiting in de prijs van de goederen.

## 11.10 GARANTIEREGISTRATIE

Tenzij de wet anders bepaalt:

1. Eigenaren moeten de machine registreren Cramer binnen tien (10) dagen na aankoopdatum.
2. De registratie kan worden voltooid door het garantieregistratieformulier in te vullen, dat in de bedieningshandleiding is opgenomen.
3. Registratie kan ook worden voltooid door gebruik te maken van het online formulier op [cramertools.com](http://cramertools.com) of door de app te gebruiken en een aankoopbewijs te verstrekken (kassabon met aankoopdatum).

## 12 EC VERKLARING VAN OVEREENSTEMMING

Naam en adres van de fabrikant:

Naam: Greenworks Tools Europe GmbH  
Adres: Brunnenweg 17, 64331 Weiterstadt, Duitsland

Naam en adres van de persoon die het technisch dossier heeft samengesteld:

Naam: Ralf Pankalla  
Adres: Brunnenweg 17, 64331 Weiterstadt, Duitsland

Hierbij verklaren wij dat het product

Categorie: Gazontrekker  
Model: 82LT107  
Serienummer: Zie typeplaatje  
Jaar van fabricage: Zie typeplaatje

- is vervaardigd in overeenstemming met de bepalingen van de machinerichtlijn 2006/42/EC.
- is vervaardigd in overeenstemming met de volgende EC-richtlijnen:
  - 2014/30/EU
  - 2011/65/EU & (EU)2015/863

Voorts verklaren wij dat de volgende (delen/clausules van) Europese geharmoniseerde normen zijn gebruikt:

- EN 62841-1, EN ISO 5395-1, EN ISO 5395-3, EN ISO 14982, IEC 62321-3-1, IEC 62321-4, IEC 62321-5, IEC 62321-6, IEC 62321-7-1, IEC 62321-7-2, IEC 62321-8

Plaats, datum: 11.11.2022

Handtekening: Ted Qu, Directeur Kwaliteit

Ted Qu



<b>1 Kuvaus.....</b>	<b>178</b>	7.5 Vääntömomenttiarvot.....	190
1.1 Yleiskatsaus.....	178	7.6 Akun huoltaminen.....	190
1.2 Ohjauspaneeli.....	178	7.7 Akkulokeron suodattimen huolto.....	190
<b>2 Pura kone pakkauksesta.....</b>	<b>178</b>	7.8 Huolto.....	190
<b>3 Asennus.....</b>	<b>179</b>	<b>8 Kuljettaminen ja säilytys.....</b>	<b>191</b>
3.1 Asenna istuin.....	179	8.1 Kuljetus.....	191
3.2 Asenna ohjauspyörä.....	179	8.2 Puhdistaminen ja varastointi.....	192
3.3 Silppurin kannen asentaminen.....	179	<b>9 Vianmääritys.....</b>	<b>194</b>
3.4 Nurmisuojarullat.....	180	<b>10 Tekniset tiedot.....</b>	<b>196</b>
3.5 Käytä sovellusta.....	180	<b>11 Rajoitettu takuu.....</b>	<b>196</b>
<b>4 Käyttöohjeet.....</b>	<b>180</b>	11.1 Mitä tämä takuu kattaa.....	196
4.1 Ennen käyttöä.....	180	11.2 Kenen tulee suorittaa takuuhuolto.....	197
4.2 Koneen käyttäminen.....	181	11.3 Takuun kattavuus.....	197
<b>5 Sähköjärjestelmä.....</b>	<b>184</b>	11.4 Takuun vastuuvapauslauseke.....	198
5.1 Sähköjärjestelmän turvallisuus.....	184	11.5 Korjaustoimenpiteiden rajoitukset.....	198
5.2 Sähköjärjestelmän tiedot.....	184	11.6 Aikaraja.....	198
5.3 Digitaalinen näyttö.....	184	11.7 Ei muita takuita.....	198
<b>6 Virheet.....</b>	<b>185</b>	11.8 Käyttäjän vastuut.....	198
6.1 Virhekoodi.....	186	11.9 Riskien jakaminen.....	198
<b>7 Kunnossapito.....</b>	<b>188</b>	11.10 Takuun rekisteröiminen.....	199
7.1 Ruohonleikkurin terän kunnossapito.....	188	<b>12 EU-</b>	
7.2 Vaihda ajovalot.....	189	<b>vaatimustenmukaisuusvakuu</b>	
7.3 Renkaat.....	189	<b>tus.....</b>	<b>199</b>
7.4 Voitelu.....	189		

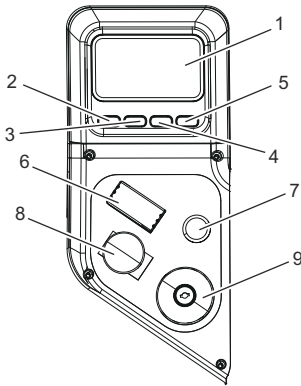
## 1 KUVAUS

### 1.1 YLEISKATSAUS

Katso erillinen kuvalehti 1-20

- |                                     |                       |
|-------------------------------------|-----------------------|
| 1 Istuimen säätövipu                | 16 Ohjauspylväs       |
| 2 Sivussa oleva poistokouru         | 17 Ohjauspyörä        |
| 3 Jarrupoljin                       | 18 Peitelevy          |
| 4 Ohjauspaneeli                     | 19 Silppurin kansi    |
| 5 Leikkuupöydän korkeuden säätövipu | 20 Laakerirengas      |
| 6 Kaasupoljin                       | 21 Kiinnitysuristimet |
| 7 Seisontajarrun kahva              | 22 Sarjanumero        |
| 8 Ajovalot                          | 23 Pariliitoskoodi    |
| 9 Mukiteline                        | 24 QR-koodi           |
| 10 USB-portti                       | 25 Akkulokero         |
| 11 Nurmisuojarullat                 | 26 Akku               |
| 12 Istuinpaneeli                    | 27 Akun salpa         |
| 13 Istuimen pistoke                 | 28 Terä               |
| 14 Ohjausakseli                     | 29 Öljyn täyttöportti |
| 15 Liitoskappale                    | 30 Öljynpoistoaukko   |
|                                     | 31 Puutarhaletku      |
|                                     | 32 Pikaliitin         |
|                                     | 33 Pesuliitäntä       |

### 1.2 OHJAUSPANEELI



#	Nimi	Funktio
1	Digitaalinen näyttö	Näytössä näkyvät tärkeät sähköjärjestelmätiedot. Katso täydelliset tiedot Sähkö-osiosta.

## 2 PURA KONE PAKKAUKSESTA

### ▲ VAROITUS

Varmista, että kokoat koneen oikein ennen käyttöä.

#	Nimi	Funktio
2	Terämoottorien nopeuden säätö / paluu	Säädä terän nopeutta (syklistä), kun se on kotisivulla. Paina painiketta palataksesi edelliselle sivulle.
3	Valikon navigointi / sivu ylös	Käännä digitaalinen näyttö viimeiselle sivulle. Takaisin aloitusnäyttöön.
4	Lampun kytkin / sivu alas	Kytke lamput päälle / pois päältä, kun ne ovat kotisivulla. Käännä digitaalinen näyttö seuraavalle sivulle.
5	Vakionopeuden säätimen painike / vahvista	Paina ja pidä painettuna yli 0,4 sekuntia aktivoitaksesi vakionopeuden säätimen käytön, vahvista painamalla painiketta.
6	Suunnan ohjauskytkin	Ruohonleikkurin liikesuuntaa ohjataan suunnan ohjauskytkimellä. Käytettävissä olevat asetukset ovat ajo (D), vapaa-asento (N) ja peruutus (R).
7	Taaksepäin leikkaamisen painike	Taaksepäin leikkaamista varten taaksepäin leikkaamisen painike on aktivoitava.
8	Virtakytkin	Kytöntä käytetään ruohonleikkurin kytkemiseen päälle ja pois päältä. Virta-avain on asetettava paikalleen, ennen kuin kytkintä voidaan käyttää.
9	Leikkuupöydän terien päälle / pois päältä -kytkin (PTO)	Tämä kytkin kytkee terämoottorit päälle. Vedä kytkin ylös kytkeäksesi moottorit ja paina kytkin alas sammuttaaksesi moottorit.

### i TÄRKEÄÄ

Älä koskaan kytke terämootteoreita, kun leikkuupöytä on kuormitettuna. Moottorit tai leikkuupöytä voivat vaurioitua.

## ▲ VAROITUS

- Jos koneen osissa on vaurioita, älä käytä konetta.
- Jos osia puuttuu, älä käytä konetta.
- Jos osat ovat vaurioituneet tai puuttuvat, ota yhteyttä huoltokeskukseen.

1. Avaa pakkaus.
2. Lue laatikossa oleva dokumentaatio.
3. Poista kaikki irralliset osat laatikosta.
4. Poista kone laatikosta.
5. Hävitä laatikko ja pakkausmateriaali paikallisten määräysten mukaan.

## ▲ VAROITUS

Älä aseta akkua oman turvallisuutesi takia ennen kuin työkalu on täydellisesti koottu.

## 3 ASENNUS

### 3.1 ASENNASTUIN

*Katso kuva 3*

1. Aseta istuinkokoonpano istuinpaneelin päälle ja kohdista reiät kuvan osoittamalla tavalla.
2. Asenna pultit, aluslevyt ja mutterit ja kiristä tiukalle.
3. Kiinnitä holkit muttereihin.
4. Varmista, että istuin on tukevasti paikallaan.
5. Liitä istuimen pistoke koneeseen.

### 3.2 ASENNASTOHJAUSPYÖRÄ

*Katso kuva 4-5*

## i HUOMAA

Varmista, että paikka osoittaa istuimeen päin.

1. Asenna ohjausakseli liitäntään, käännä tarpeen mukaan akselin reiän kohdistamiseksi liitäntän pultinreikään.
2. Asenna kaksi pulttia ja kiristä kunnolla.

## i HUOMAA

Kiristä pultit näyttöön tulevaan arvoon.

3. Asenna ohjauspylväs. Huomaa ohjauspylvään pohjassa olevat kielekkeet, jotka sopivat aukon reikiin, ja varmista, että ohjauspylväs on tukevasti paikallaan.
4. Varmista, että ruohonleikkurin pyörä on suunnattu suoraan eteenpäin, ja asenna sitten ohjauspyörä ohjauspylvään päälle voimalla.
5. Asenna pultti ja aluslevy; kiristä kunnolla.
6. Asenna ohjauspyörän peitelevy.

### 3.3 SILPPURIN KANNEN ASENTAMINEN

*Katso kuva 6*

Ruohonleikkuri on määritetty sivulle poistoon toimitettaessa. Jos halutaan käyttää silppuria:

1. Aseta silppurin kansi ruohonleikkurin kotelon kielekkeeseen.
2. Kohdista silppurin kannen reiät ruohonleikkurin kotelon reikiin.
3. Asenna ja kiristä pultit, ruuvit, kiinnityspidikkeet ja laakerin renkas kuvan osoittamalla tavalla.

### 3.4 NURMISUOJARULLAT

Katso kuva 2

Nurmisuojarullasarjat ovat vakio-osia Cramer laitteissa. Nurmisuojarullat on suunniteltu minimoimaan maanpinnan vaurioituminen leikattaessa vaikeaa, epätasaista maastoa. Kun olet asettanut leikkuukorkeuden, säädä nurmisuojarullat siten, että ne ulottuvat leikkuupöydän alle, mutta eivät kosketa maata. Niiden pitäisi olla aina vähintään 0,6–1,9 cm leikkuupöydän alapuolella. Kun laite on tasaisella, vaakasuoralla alustalla, rullien asentoa voidaan säätää ylös tai alas 1,9–4,4 cm terän pinnan alapuolelle tarpeen mukaan. Siirrä rullia ylös tai alas käyttämällä rullien kiinnityskannattimissa olevia akselin kiinnitysreikiä (jos käytössä mallissa).

### 3.5 KÄYTÄ SOVELLUSTA

Katso kuva 7-8

1. Käy Fleet Managementin verkkosivustolla: fleet.cramertools.com
2. Luo tili ja kirjaudu sitten sisään.
3. Kutsu muita organisaatiosi käyttäjiä.
4. Skannaa QR-koodi, lataa sovellus ja kirjaudu sisään.
5. Lisää laite. Etsi sarjanumero, pariliitoskoodi ja QR-koodi tämän käyttöoppaan ajoneuvoa vastaavasta tarrasta. Skannaa QR-koodi tai kirjoita manuaalisesti.

## 4 KÄYTTÖOHJEET

### 4.1 ENNEN KÄYTTÖÄ

#### 4.1.1 SÄÄDÄ ISTUIN

Katso kuva 9

Säädä istuimen asento ennen ruohonleikkurin käyttöä siten, että saat hyvän kosketuksen kaasu- ja jarrupolkimiin.

1. Istu istuimeen ja nosta istuimen säätövipua.
2. Pidä vipua, liu'uta istuim haluttuun asentoon.
3. Vapauta vipu ja varmista, että istuin on lukittu paikalleen ennen ruohonleikkurin käyttöä.

#### ▲ VAROITUS

Varmista, että istuin on lukittu paikalleen, ennen ruohonleikkurin käyttöä. Istuin, joka ei ole turvallinen, voi aiheuttaa käyttäjän siirtymisen ja ruohonleikkurin hallinnan menettämisen sekä johtaa mahdolliseen kuolemaan tai vakavaan henkilövahinkoon.

#### 4.1.2 LEIKKUUPÖYDÄN LEIKKUUKORKEUDEN SÄÄTÄMINEN

Katso kuva 10

Ennen kuin käytät ruohonleikkuria, nosta leikkuupöydän korkeus nurmikollesi parhaiten sopivaan leikkuuasentoon.

Leikkuupöydän korkeutta voidaan säätää välillä 3,81-11,4 cm. Leikkuupöytä on nostettava leikkuaan aikana, jotta vältetään kannot, kivet tai muut esteet, jotka voivat vaurioittaa ruohonleikkurin leikkuupöytä.

#### ▲ VARO

Pidä leikkuupöydän korkeuden säätövipua tiukasti, kun asetat leikkuupöydän korkeutta, ja vapauta se vasta, kun se on kiinnitetty haluttuun paikkaan. Vivun nopea irti päästäminen voi aiheuttaa käyttäjän käden puristus- tai vetämisvaaran.

1. Pysäytä leikkuri ja pysäytä terät.
2. Käännä avain OFF-asentoon ja aseta seisontajarru.
3. Kun haluat nostaa leikkuupöytä, tartu leikkuupöydän korkeuden säätövipuun, työnnä vasemmalle irrottaaksesi sen aukosta, siirrä sitä leikkurin takaosaa kohti ja työnnä sitten oikealle aukkoon varmistaaksesi sen.
4. Kun haluat laskea leikkuupöydän, tartu leikkuupöydän korkeuden säätövipuun, työnnä vasemmalle irrottaaksesi sen aukosta, siirrä sitä leikkurin etuosaa kohti, työnnä sitten oikealle aukkoon kiinnittäaksesi.

### 4.1.3 AKUN ASENTAMINEN

Katso kuva 11

Tarkista akun varaustason merkkivalo varmistaaksesi, että ruohonleikkurin akut ovat täyteen ladattuja. Katso lisätietoja akun käyttöoppaasta.

1. Nosta istuinpaneeli.
2. Nosta paristolokeron kansi.
3. Asenna akku paristokoteloon.

#### ▲ VAROITUS

Kohdista akun ulokkeet akkuporttiin. Varmista, että akun salpa napsahtaa akkulokeroon kunnolla.

### 4.1.4 ENNEN KONEEN KÄYTTÖÄ

- Varmista, että työalueella ei ole lapsia, sivullisia ja lemmikkieläimiä.
- Tyhjennä työalue kohteista, jotka voivat sinkoutua ruohonleikkurin teristä.
- Tarkista jarrujen toiminta.
- Tarkista rengaspaineet.
- Tarkista löysät kiinnikkeet.
- Tarkista, että kaikki suojukset ovat paikoillaan ja toimivat oikein.
- Puhdista roskat leikkurista.
- Testaa turvalukitusjärjestelmä.
- Säädä istuin haluttuun asentoon.
- Tarkista akun varaustaso.

### 4.1.5 TURVALUKITUSJÄRJESTELMÄ

Katso kuva 12

Tässä leikkurissa on turvalukitusjärjestelmä, joka suojaa käyttäjää sulkemalla terät, jos käyttäjä poistuu istuimelta terien ollessa käynnissä. Testaa järjestelmä ennen jokaista käyttökertaa varmistaaksesi, että se toimii oikein.

1. Varmista, että suunnan ohjauskytkin on vapaa-asennossa (N) ja että PTO-kytkin on alhaalla.
2. Aseta virta-avain ja käännä ON-asentoon.
3. Vapauta seisontajarru.
4. Nosta PTO-kytkin aktivoitaksesi terät.
5. Nouse hetkeksi istuimelta, mutta älä poistu ruohonleikkurista.

Terien tulee sammua 5 sekunnin kuluessa. Jos niin ei tapahdu, ota yhteyttä asiakaspalveluun. Älä käytä ruohonleikkuria ennen kuin turvalukitusjärjestelmä on korjattu.

## 4.2 KONEEN KÄYTTÄMINEN

### 4.2.1 KÄYNNISTÄ KONE

#### i HUOMAA

Tyhjennä alue sivullisista ennen ruohonleikkurin käyttöä. Jos joku tulee leikkuualueelle, lopeta heti, äläkä jatka leikkaamista ennen kuin sivulliset poistuvat alueelta.

1. Nosta ruohonleikkurin leikkuupöytä korkeimpaan asentoon.
2. Aseta virta-avain ja käännä ON-asentoon.
3. Paina suunnan ohjauskytkin vapaa-asentoon (N).
4. Vapauta seisontajarru.
5. Vedä leikkuupöydän PTO-kytkintä käynnistääksesi leikkuuterät leikkaamista varten.
6. Paina suunnan ohjauskytkin ajoasentoon (D) ja aja haluttuun leikkuupaikkaan.

## **i HUOMAA**

Ole varovainen ylittäessäsi sorapolkuja tai ajotietä. Ennen ylitystä kytke terät pois päältä ja nosta leikkuupöytä korkeimpaan asentoon, jotta sinkoutumisten mahdollisuus on mahdollisimman pieni. Aja hitaasti välttääksesi pidon ja hallinnan menetyksen.

## **i HUOMAA**

Älä yritä muuttaa toimintasuuntaa ruohonleikkurin ollessa liikkeessä. Anna koneen pysähtyä täysin ennen leikkuusuunnan vaihtamista.

### **4.2.2 ASETA VAKIONOPEUDENSÄÄDIN**

1. Kun ajat ruohonleikkuria eteenpäin, paina kaasupoljinta, kunnes haluttu nopeus saavutetaan.
2. Paina vakionopeudensäätimen painiketta ja pidä painettuna yli 0,4 sekuntia.
3. Vapauta kaasupolkimen paine. Ruohonleikkurin nopeuden tulisi pysyä vakiona.

### **4.2.3 VAPAUTA VAKIONOPEUDENSÄÄDIN**

1. Napauta kaasupoljinta, paina jarrupoljinta.

### **4.2.4 ASETA SEISONTAJARRU**

1. Paina jarrupoljin kokonaan alas ja pidä painettuna.
2. Vedä seisontajarrun kahva ylös ja pidä siitä kiinni.
3. Vapauta jarrupoljin.
4. Vapauta seisontajarrun kahva.

FI

## **▲ VAROITUS**

Älä koskaan jätä ruohonleikkuria ilman valvontaa, kun moottori on käynnissä. Varmista, että seisontajarru on asetettu ja avain on poistettu. Seisontajarrun asettamatta jättäminen voi aiheuttaa ruohonleikkurin liikkumisen, ja avaimen jättäminen paikalleen voi mahdollistaa luvattoman käytön, joka voi johtaa vakaviin henkilövahinkoihin.

### **4.2.5 VAPAUTA SEISONTAJARRU**

1. Paina jarrupoljinta vapauttaaksesi seisontajarrun.

### **4.2.6 KONEEN PYSÄYTTÄMINEN**

1. Pysäytä ruohonleikkuri tasaiselle pinnalle.
2. Aseta seisontajarru.
3. Kytke terät pois päältä painamalla PTO-kytkin alas.
4. Käännä avain OFF-asentoon.

### **4.2.7 PERUUTUSTILATOIMINTA**

*Katso kuva 13*

- Paina jarrupoljinta ja pysäytä ruohonleikkuri kokonaan.
- Kytke terät pois päältä painamalla PTO-kytkin alas.
- Aseta suunnan ohjauskytkin peruutusasentoon (R).
- Paina taaksepäin leikkaamisen painiketta.
- Nosta PTO-kytkin, paina kaasupoljinta hitaasti ja leikkaa tarvittaessa taaksepäin.

## **▲ VAROITUS**

Älä leikkaa taaksepäin, ellei se ole ehdottoman välttämätöntä. Katso aina alas ja taakse ennen peruuttamista ja sen aikana varmistaaksesi, ettei leikkuualueelle pääse lapsia, sivullisia tai lemmikkejä. Muista, että muutaman sadasosasekunnin huolimattomuus riittää aiheuttamaan vakavan henkilövahingon.

## ▲ VAROITUS

Ole erityisen varovainen ennen peruuttamista ja peruuttaessasi, kun pussitusarja (ei sisälly toimitukseen) on asennettu, sillä se voi rajoittaa näkyvyyttä. Katso aina tarkasti taakse ja alas pienten lasten, sivullisten ja lemmikkieläinten varalta ja siirrä ruohonleikkuria hitaasti, jotta vältät taaksepäin kaatumisongelmat, jotka voivat aiheuttaa kuoleman tai vakavia henkilövahinkoja.

## 4.2.8 KÄYTÄ USB-PORTTIA

Katso kuva 14

USB-latausportti tarjoaa 5 voltin DC-lataustehon jopa 2,1 ampeerilla matkapuhelimellesi, MP3-soittimelle tai muille USB-laitteille. Katso laitteesi käyttöoppaasta erityiset latausvaatimukset.

Kytke USB-kaapelin (ei mukana) toinen pää laitteeseesi ja toinen pää ruohonleikkurin USB-latausporttiin aloittaaksesi laitteesi lataamisen.

## i HUOMAA

Nimellisarvoltaan yli 2,1 ampeerin laitteiden latausyritys voi vahingoittaa USB-latausporttia ja/tai ruohonleikkuria.

## i HUOMAA

USB-porttiin kytketään virta vasta, kun kone käynnistyy.

## ▲ VAROITUS

Älä koskaan käytä kuulokkeita tai mitään elektronista laitetta, kuten älypuhelin tai tablettia, kun käytät ruohonleikkuria. Tarkkaamaton käyttö voi johtaa onnettomuuteen, joka voi aiheuttaa käyttäjän tai sivullisen kuoleman tai vakavan henkilövahingon.

FI

## 4.2.9 KÄYTTÖVINKKEJÄ

Katso kuva 15

- Pidä leikkurin terät terävinä.
- Varmista, että nurmikolla ei ole kiviä, tikkuja, johtoja, leluja, pähkinöitä, puiden oksia ja muita esineitä, jotka voivat vahingoittaa ruohonleikkurin teriä tai moottoria. Älä leikkaa tonttipaalujen tai muiden metallipylväiden yli. Tällaiset esineet voivat vahingoittaa terää tai ruohonleikkuri voi vahingossa singota ne mihin tahansa suuntaan ja aiheuttaa vakavia henkilövahinkoja käyttäjälle ja muille.
- Jos haluat terveen nurmikon, leikkaa aina enintään kolmasosa ruohon kokonaispituudesta.
- Kun leikkaat laajoja alueita, aloita kääntymällä oikealle niin, että leikkausjäte ei viskaudu pensaita, aitoja, sisääntuloteitä jne.kohti Kun olet ajanut pari kierrosta, leikkaa vastakkaiseen suuntaan niin että käännyt aina vasemmalle, kunnes nurmikko on ajettu.
- Leikkaa niin, että leikkausjäte poistuu aina jo leikatun nurmikkoalueen suuntaan.
- Kun leikkaat tiheää ruohoa, vähennä nopeutta, jotta leikkuu tehostuu ja leikkuujätteet poistuvat kunnolla.
- **Normaalin ruohonleikkurin aikana** leikkaa vain noin 38 mm ruohon pituudesta. Suuremman pituuden leikkaamista ei suositella, ellei ruoho ole harvaa tai ole myöhäinen syksy.
- Älä leikkaa märkää ruohoa. Se voi tukkia leikkuupöydän alapuolen ja estää kunnollisen pussituksen tai leikkuujätteen silppuamisen.
- Uusi tai paksu ruoho voi vaatia kapeamman leikkauksen tai korkeamman leikkuukorkeuden.
- Pidä ruohonleikkurin leikkuupöytä ja sivutyhjennyskouru puhtaina. Poista leikkuujäte, lehdet, liika ja muut kertyneet roskat ennen jokaista käyttökertaa ja sen jälkeen. Älä puhdista ruiskuttamalla puutarhaletkulla.

## i HUOMAA

Pysäytä ruohonleikkuri aina, anna terien pysähtyä kokonaan ja poista virta-avain ennen puhdistamista ruohonleikkurin alta.

## 4.2.10 KÄYTTÖ RINTEESSÄ

Katso kuva 16

Rinteet ovat merkittävä hallinnan menetykseen ja koneen kaatumiseen liittyvä tekijä, joka voi johtaa vakavaan loukkaantumiseen tai kuolemaan. Kaikki rinteet vaativat erityistä huolellisuutta. Jos et pysty peruuttamaan rinnettä ylöspäin tai tunnet olosi epävarmaksi, älä leikkaa rinnettä.

- Liiku valmistajan suosittelemaan suuntaan rinteissä. Ole varovainen pudotusten läheisyydessä.
- Älä käytä konetta missään olosuhteissa, joissa pito, ohjaus tai vakaus on kyseenalaista. Renkaat voivat liukua, vaikka pyörät pysäytettäisiin.
- Pidä koneessa aina vaihde päällä, kun ajat alas rinteitä. Älä vaihda vapaalle alamäessä.
- Leikkaa ylös- ja alaspäin rinteitä, älä sivusuuntaan.
- Varo reikiä, vakoja, kuoppia, kiviä tai muita piilossa olevia kohteita. Epätasainen maanpinta saattaa kaataa koneen. Korkea ruoho voi peittää esteitä.
- Älä leikkaa jyrkenteiden, oijen tai penkereiden läheltä. Kone voi yhtäkkiä kaatua, jos pyörä joutuu reunan päälle tai jos reuna sortuu.
- Valitse pieni maanopeus, jotta sinun ei tarvitse pysähtyä tai vaihtaa rinteessä.
- Älä leikkaa märkää ruohoa. Renkaat voivat menettää pidon.
- Vältä koneen käynnistämistä, pysäyttämistä tai kääntämistä rinteessä. Jos renkaat menettävät pitonsa, pysäytä terät ja jatka hitaasti suoraan alaspäin rinnettä.
- Liiku aina rinteissä hitaasti ja asteittain. Älä tee äkillisiä muutoksia nopeuteen tai suuntaan, se voi aiheuttaa koneen kaatumisen.
- Ole erityisen varovainen käyttäessäsi koneen lisälaitteita, jotka voivat muuttaa koneen tasapainoa. Älä käytä jyrkissä rinteissä.
- Jos käytät valinnaista pussisarjaa, ole erittäin varovainen ja käytä ruohonleikkuria hitaasti rinteissä, koska pussitussarja voi muuttaa ruohonleikkurin vakautta.
- Käytä aina jarruja, kun ajat rinnettä alas. Älä yritä antaa ruohonleikkurin rullata alamäkeen vapaasti.

FI

## 5 SÄHKÖJÄRJESTELMÄ

### 5.1 SÄHKÖJÄRJESTELMÄN TURVALLISUUS

- Poista avain ja akut ja lue käyttöohje ennen laitteen säätämistä tai korjaamista.
- Poista aina avain ja akut ennen kuin työskentelet tällä laitteella.
- Poista aina avain ja akut, kun kuljetat laitetta.
- Poista laitteesta leikkuujätteet, lehdet, liika ja muut roskat. ÄLÄ suihkuta vettä laitteen puhdistamiseksi. Käytä vain paineilmaa. Käytä riittäviä silmä- ja kuulonsuojaimia laitetta puhdistaussasi.
- Käytä aina suojalaseja ja suojavausteita akun lähellä. Käytä eristettyjä työkaluja.
- Puhdista akkutila, käyttömoottoritila, leikkurin leikkuupöytä, istuin jne. kaikesta liasta ja roskista. Älä käytä liuottimia, voimakkaita puhdistusaineita tai hankausaineita.
- Kun avain ON-asennossa, ruohonleikkurin terä voi kytkeytyä, kun leikkuupöydän terien ON/OFF-kytkin (PTO) on kytketty, vaikka käyttömoottori ei toimisikaan. Pidä sivulliset poissa alueelta, kun kytket leikkuupöydän terän ON/OFF-kytkimen.
- Kaikki huolto- ja varastointitilat tulee tuulettaa asianmukaisesti sovellettavien palomääräysten ja -säännösten mukaisesti palovaaran välttämiseksi.
- Akkujen lähellä ei saa olla liekkejä, kipinöintiä tai tupakointia.
- Pidä akut poissa lasten ulottuvilta.

- Pidä suojakilvet, kannot ja suojukset aina paikoillaan ja kunnolla kiinnitettyinä. Jos ne vaurioituvat, korjaa tai vaihda ne välittömästi. Älä koskaan muuta tai poista turvalaitteita.

### 5.2 SÄHKÖJÄRJESTELMÄN TIEDOT

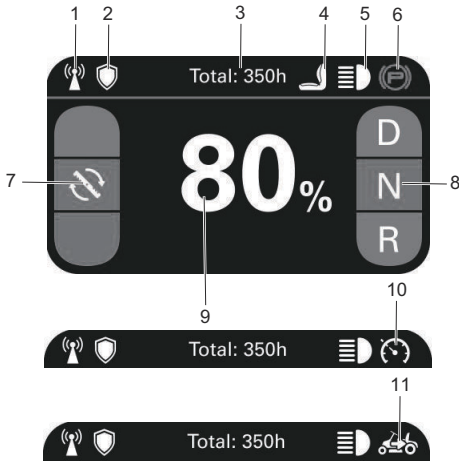
, Cramer Ruohonleikkuri saa virtaa 82 voltin sähköjärjestelmästä. Se koostuu seuraavista osista:

1. Terä- ja käyttöohjain (1)
2. Terän moottori (2)
3. Kiihdytin (1)
4. Digitaalinen näyttö (1)
5. Pyörän moottori (1)
6. Akkulokero (1)

### 5.3 DIGITAALINEN NÄYTTÖ

Ohjauspaneelissa sijaitsevan digitaalisen näytön tehtävänä on tarjota tietoja sähköjärjestelmästä käyttäjälle. Se antaa yksityiskohtaista tietoa kuvioiden, koodien ja numeroiden muodossa.





#	Nimi	Funktio
1		4G GPS-signaali
2		GreenShield

## 6 VIRHEET

CANBUS-järjestelmä suojaa käyttäjää ja konetta, kun se havaitsee ongelman. Kun kone tai komponentti sammutetaan, se ilmoittaa, että virhe on tapahtunut, ja tämä virhe näkyy digitaalisessa näytössä. Kaikissa sähkövirheissä on kirjainkoodi, jota seuraa numero. Ensimmäinen kirjain kuvaa järjestelmää, joka aiheutti virheen tämän kaavion mukaisesti:

Nimi	Merkitys
T	Käyttäjän ohjain ja moottori
PMU	Virranhallintayksikkö (akkukotelossa)
ML	Vasemman terän moottorin ohjain
MR	Oikean terän moottorin ohjain
V	Ajoneuvo

#	Nimi	Funktio
3	Yhteensä : 350 t	Ajoneuvon työaika
4		Istuimen kytkin on suljettu.
5		LED-valot
6		Seisontajarru on kytketty.
7		Terän nopeus
8	D/N/R	Ajosuunta: Ajo (D), vapaa-asento (N) ja peruutus (R).
9	80 %	Akun prosenttiosuus
10		Vakionopeudensäädin
11		Taaksepäin leikkuutila on aktivoitu.

## 6.1 VIRHEKOODI

Virhekoodi	Kuvaus	Ratkaisu
T11	Ylijännite	Jännite on liian korkea. Käynnistä virtalähde uudelleen.
T12	Alijännite	Jännite on liian alhainen. Lataa akku ennen käyttöä.
T13	Ohjaimen itsetestausvirhe	Jos kohtaat tämän ongelman, pyydä ratkaisua jälleenmyyjältäsi.
T14	Käyttömootori pysähtyi	Tarkista, ovatko vetopyörät jumissa ja käynnistä virtalähde uudelleen.
T15	Mootorin enkooderin virhe	Tarkista, että käyttöohjaimen Hall-ilmioiliitin on kytketty oikein, ja käynnistä sitten virtalähde uudelleen.
T16	Ohjaimen ohjainpiirin virhe	Jos kohtaat tämän ongelman, pyydä ratkaisua jälleenmyyjältäsi.
T17	Ohjaimen käyttöosan ylikuumentuminen	Ohjaimen lämpötila on liian korkea. Odota, että ohjain jäähtyy, ja käynnistä sitten virtalähde uudelleen.
T18	Käyttömootorin ylikuumentuminen	Mootorin lämpötila on liian korkea. Odota, että moottori jäähtyy, ja käynnistä sitten virtalähde uudelleen.
T21	Käyttömootorin lämpötila-anturi epänormaali	Tarkista lämpötila-anturin johdotus poikkeavuuksien varalta.
T22	Ohjaimen käyttöosan laitteiston ylivirta	Kuorma on liian suuri. Käynnistä virtalähde uudelleen.
T23	Esilatausvirhe	Käynnistä virtalähde uudelleen.
T25	Käyttöohjelmiston ylivirta	Kuorma on liian suuri. Käynnistä virtalähde uudelleen.
T26	Käytön MOS-virhe	Jos kohtaat tämän ongelman, pyydä ratkaisua jälleenmyyjältäsi.
T27	Mootorin vaihehäviö	Tarkista, että käyttöohjaimen moottorikaapelit on kytketty oikein, ja käynnistä sitten virtalähde uudelleen.
T28	Käyttöohjaimen ylikuumentuminen	Ohjaimen lämpötila on liian korkea. Odota, että ohjain jäähtyy, ja käynnistä sitten virtalähde uudelleen.
V14	Taaksepäin leikkaamisen toimintajärjestys väärä	Paina taaksepäin leikkaamisen painiketta ennen taaksepäin leikkaamista.
V15	Virhe ajoneuvon itsetestissä	<ol style="list-style-type: none"> <li>1. Tarkista ennen ajoneuvon käynnistämistä, että jarru on kytketyssä asennossa.</li> <li>2. Aseta ennen ajoneuvon käynnistämistä leikkurin kytkin off-asentoon ja tarkista, että leikkurin kytkin on kytketty oikein.</li> <li>3. Ennen kuin käynnistät ajoneuvon, aseta FNR-vaihdkeppi N-asentoon.</li> <li>4. Tarkista, että istuimen alla oleva liitin on kytketty oikein.</li> <li>5. Älä paina vakionopeudensäätimen painiketta, kun käynnistät ajoneuvon.</li> <li>6. Älä paina kaasupoljinta, kun käynnistät ajoneuvon.</li> </ol>
V16	Toimintajärjestys virheellinen	Palauta kaasupoljin ja teräkytkin alkuasentoihinsa.
V17	SPI-tiedonsiirtovirhe	Käynnistä virtalähde uudelleen.
V18	Akkulokeron (PMU) häiriö	Tarkista, että kaasupoljinikaapelit on kytketty oikein, ja käynnistä virtalähde uudelleen.
V22	terän signaali epänormaali	Tarkista, että terän käynnistyskytkin on kytketty oikein, ja palauta sitten kytkin alkuasentoonsa.

# Suomi

Virhekoodi	Kuvaus	Ratkaisu
V21	PMU CAN -viestintävirhe	Viestintä akkulokeron kanssa aikakatkaistu. Käynnistä virtalähde uudelleen.
V23	Käyttäjän läsnäolokytkin epänormaali	Tarkista, että istuimen alla oleva liitin on kytketty oikein, ja käynnistä sitten virtalähde uudelleen.
ML3	Vasemman terän ohjelmiston ylivirta	Tarkista leikkuukuorma ja käynnistä virtalähde uudelleen.
ML4	Vasen terä pysähtyi	Tarkista leikkuukuorma ja palauta terän käynnistyskytkin alkuasentoonsa.
ML6	Vasemman terän MOS-virhe	Jos kohtaavat tämän ongelman, pyydä ratkaisua jälleenmyyjältäsi.
ML7	Vasemman terän moottorin vaiheväivö	Tarkista, että teräohjain ja moottorikaapelit on kytketty oikein, ja käynnistä sitten virtalähde uudelleen.
ML9	Vasemman teräohjaimen lämpötila epänormaali	Ohjaimen lämpötila on liian korkea. Odota, että ohjain jäähtyy, ja käynnistä sitten virtalähde uudelleen.
ML14	Vasemman terän laitteiston ylivirta	Tarkista leikkuukuorma ja käynnistä virtalähde uudelleen.
ML15	Vasen terä ei käynnistynyt	Tarkista leikkuukuorma ja palauta terän käynnistyskytkin alkuasentoonsa.
MR3	Moottorin matalan nopeuden suojaus	Tarkista leikkuukuorma ja käynnistä virtalähde uudelleen.
MR4	Moottorin ylinopeussuoja	Tarkista leikkuukuorma ja palauta terän käynnistyskytkin alkuasentoonsa.
MR6	Moottorin Hall-anturin virhe	Jos kohtaavat tämän ongelman, pyydä ratkaisua jälleenmyyjältäsi.
MR7	Ohjaimen vaiheen menetys	Tarkista, että teräohjain ja moottorikaapelit on kytketty oikein, ja käynnistä sitten virtalähde uudelleen.
MR9	Avoimen MOSFET-piirin virhe	Ohjaimen lämpötila on liian korkea. Odota, että ohjain jäähtyy, ja käynnistä sitten virtalähde uudelleen.
MR14	Ohjaimen alijännite	Tarkista leikkuukuorma ja käynnistä virtalähde uudelleen.
MR15	Ohjaimen ylijännite	Tarkista leikkuukuorma ja palauta terän käynnistyskytkin alkuasentoonsa.
PMU10	Akun avoimen piirin virhe	Akkulokeron ja akun lämpötila on liian alhainen. Käytä konetta sopivassa lämpötilassa ja käynnistä virtalähde uudelleen.
PMU11	Suuri PMU-virhe	Akkulokeron ja akun lämpötila on liian korkea. Odota, että akku jäähtyy, ja käynnistä sitten virtalähde uudelleen.
PMU12	PMU:n toissijainen virhe	Suuri virhe akkulokerossa esti käyttö- ja teräjärjestelmien käynnistymisen. Käynnistä virtalähde uudelleen ja yritä uudelleen.
PMU13	Akkua ei ole saatavilla	Tarkista, että käytät oikeaa akkua, ja käynnistä sitten virtalähde uudelleen.
PMU	Akkuja ei ole riittävästi saatavilla, toiminnot voivat olla rajalliset.	Aseta lisää akkuja.
NA	Näytä viestintävirhe	Tarkista näytön liitososat ja CAN-verkko.
	Virheellinen näyttö valittuna	Valitse oikea näyttö ajoneuvomallillesi

## 7 KUNNOSSAPITO

### 7.1 RUOHONLEIKKURIN TERÄN KUNNOSSAPITO

Tarkista ruohonleikkurin terät päivittäin. Ne ovat tärkeitä tehokkuuden ja hyvin hoidetun nurmikon kannalta. Pidä ne terävinä – tylsä terä repii mieluummin kuin leikkaa ruohoa, jolloin nurmikkoon jää muutamassa tunnissa ruskea repaleinen pinta. Tylsä terä vaatii myös enemmän tehoa. Vaihda kaikki terät, jotka ovat taipuneet, halkeilleet tai rikkoutuneet.

#### ▲ VAROITUS

Älä koskaan yritä suoristaa taipunutta terää kuumentamalla tai hitsaa halkeillutta tai rikkoutunutta terää, koska terä voi katketa ja aiheuttaa vakavan loukkaantumisen. Vaihda kuluneet tai vaurioituneet terät.

#### ▲ VAROITUS

Älä koskaan työskentele terien kanssa, kun avain on virtalukossa. Käännä avain "OFF"-asentoon, poista akut koneesta. Estä leikkurin liike, kun sinun on työskenneltävä sen alla. Käytä käsineitä teriä käsitellessäsi. Tarkista aina terän vauriot, jos ruohonleikkuri osuu kiveen, oksaan tai muuhun vieraaseen esineeseen!

#### ▲ VAARA

Korjailuteräoitus voidaan tehdä viilalla. Tarkista terien tasapaino hionnan jälkeen. Kaupallinen tasapainotustyökalu on saatavilla useimmista rautakaupoista tai tasapainotus voidaan tehdä asettamalla terä käännteiseen linjalävistyykseen tai 12,7 mm:n pulttiin. Terä ei saa nojata tai kallistua. Kun terää pyöritetään hitaasti, sen ei pitäisi heilua. Jos terä on epätasapainossa, korjaa se ennen uudelleenasetusta. Aseta terä tasaiselle pinnalle ja tarkista vääristymien varalta. Vaihda vääristynyt terä.

#### ▲ VAROITUS

- Terän purjeen (kaareva osa) on osoitettava ylöspäin leikkuupöydän sisäpuolta kohti oikean leikkaamisen varmistamiseksi.
- Kun asennat teriä, kierrä niitä asennuksen jälkeen varmistaaksesi, että terän kärjet eivät kosketa toisiaan tai ruohonleikkurin sivuja.
- Pultin oikean vääntömomentin virhe voi johtaa terän irtoamiseen, mikä voi aiheuttaa vakavan loukkaantumisen.
- Ruohonleikkurin terät ovat teräviä ja voivat leikata. Käytä käsineitä ja ole erityisen varovainen huoltaessasi teriä.

### 7.1.1 TERÄN VAIHTAMINEN

Katso kuva 17

1. Pysäytä moottori, irrota virta-avain ja aseta seisontajarru.
2. Nosta leikkuupöydän korkeus korkeimpaan asentoonsa, jotta teriin pääsee käsiksi.

#### i HUOMAA

Nosta ruohonleikkuria tarvittaessa nostimella tai käyttämällä tunkkia ja telineitä tai irrota leikkuupöytä edellisessä kohdassa kuvatulla tavalla, jotta pääset käsiksi teriin.

#### ▲ VAROITUS

Jos nostat ruohonleikkuria teriin käsiksi pääsemiseksi, varmista, että ruohonleikkuri on kiinnitetty kunnolla ja seisontajarru on kytketty, ennen kuin jatkat. Jos ruohonleikkuria ei kiinnitetä kunnolla, se voi kaatua ja aiheuttaa kuoleman tai mahdollisen vakavan henkilövahingon.

3. Kiilaa puupalikka terän ja ruohonleikkurin väliin terän kääntymisen estämiseksi.
4. Löysää terän mutteri kääntämällä sitä vastapäivään (ruohonleikkurin pohjasta katsottuna) 16 mm:n jakoavaimella tai hylsyavaimella (ei mukana).
5. Poista terän mutteri, välilevy, terän eriste ja terä.
6. Kierrä terän mutteri akseliin ja kiristä sormikireytyeen.

7. Kiristä terän mutteri myötöpäivään momenttiavaimella (ei mukana) varmistaaksesi, että pultti on oikein kiristetty. Terän mutterin suositeltava vääntömomentti on 90–100 Nm (66–74 ft.lbs).

## ▲ VAROITUS

Varmista, että terä on asettunut kunnolla paikalleen ja että terän mutteri on kiristetty yllä olevien momenttiohjeiden mukaisesti. Jos terää ei kiinnitetä kunnolla, se voi irrota ja aiheuttaa vakavia henkilövahinkoja.

8. Toista tarvittaessa toisella terällä.

## i HUOMAA

Varmista, että kaikki osat vaihdetaan täsmälleen samassa järjestyksessä kuin ne on irrotettu.

## 7.2 VAIHDA AJOVALOT

*Katso kuva 18*

Soita asiakaspalveluun tai käy verkkosivustollamme tilataksesi uuden ajovalon.

1. Pysäköi ruohonleikkuri tasaiselle alustalle ja aseta seisontajarru.
2. Sammuta moottori ja poista virta-avain.
3. Irrota ja aseta syrjään kuusiokantaruuvi ja tasainen aluslevy, jotka pitävät ruohonleikkurin lattiapaneelin paikallaan.
4. Nosta lattiapaneelia hieman päästäksesi käsiksi kahteen kuusiokantaruuviin ja tasaiseen aluslevyyn, jotka kiinnittävät ajovalot paikoilleen. Irrota ruuvit ja aluslevyt ja aseta syrjään.
5. Irrota vanhan ajovalon kytkentä ja hävitä valo.
6. Kytke uudet ajovalot ja asenna aluslevyt ja ruuvit uudelleen. Kiristä kunnolla.
7. Laske lattiapaneeli ja asenna aluslevy ja ruuvi uudelleen kiinnittäaksesi paneelin.

## 7.3 RENKAAT

Tasoleikkuussa on tärkeää, että kaikissa renkaissa on oikea ilmanpaine. Suositellut paineet ovat:

## i HUOMAA

Rengaspaineet pitää mitata tai säätää vain renkaiden ollessa kylmiä.

Vetopyörät	8 psi
Eturullapyörät	24 psi

## i HUOMAA

Tarkista renkaat päivittäin. Vaihda välittömästi, jos niissä on vaurioita.

## ▲ VAROITUS

Tarkista rengaspaineet huolellisesti täyttämisen yhteydessä. Liian paljon ilmaa renkaassa voi saada renkaan halkeamaan ja aiheuttaa vakavia henkilövahinkoja.

## 7.4 VOITELU

*Katso kuva 19*

Lisää öljyä ennen käyttöä.

Öljyn tyyppi	SAE85W-140
Öljyn tilavuus	180 ml

Ota yhteys Cramer jälleenmyyjään voiteluaineen vaihtamiseksi.

**i HUOMAA**

Vaihda vaihteistoöljy, kun olet käyttänyt konetta ensimmäiset 50 tuntia, ja vaihda öljy sen jälkeen 200 tunnin välein.

**7.5 VÄÄNTÖMOMENTTIARVOT****▲ VAROITUS**

Erityistä huomiota on kiinnitettävä vetopyörän mutterien ja terän karapulttien kiristämiseen. Jos näitä kohtia ei kiristetä oikein, seurauksena voi olla pyörän tai terän irtoaminen, mikä voi aiheuttaa vakavia vaurioita tai henkilövahinkoja.

Vääntömomenttiarvot on annettu alla:

Osa	Ft.-lbs.	Nm
Pyörän (korvakkeen) mutterit	89	120
Terän karapultti	66	90

**Vain pyöränmutterit** –On suositeltavaa tarkistaa ne ensimmäisten 2 käyttötunnin jälkeen, sen jälkeen 100 käyttötunnin välein ja korjauksen tai vaihdon jälkeen.

**7.6 AKUN HUOLTAMINEN**

Tämä Cramer ruohonleikkuri saa virtansa akusta, joka oikein huollettuna tarjoaa vuosien käyttöiän. Noudata seuraavia ohjeita asianmukaisen huollon varmistamiseksi:

- Lataa akut aina jokaisen käyttökerran jälkeen.
- Kun akku on täysin tyhjentynyt ja sammutettu, akku kannattaa ladata mahdollisimman pian. Akun ylipurkautumisen tarkoittaa sitä, että akun käyttöikä lyhenee ja akku voi vaurioitua pysyvästi. Jos täyteen latausta ei tarvita, on hyödyllistä ladata akkua vaikka vain 5–10 minuuttia. On parasta ladata se 24 tunnin kuluessa.
- Pidä ruoho, lika ja roskat poissa akun napojen läheisyydestä ja akun alueelta.
- Lataa akut sisätiloissa hyvin tuuletetussa ja kuivassa paikassa, jossa ei ole kipinöitä tai liekkejä. Älä koskaan altista laturia sateelle, höyrylle tai nesteelle.
- Lataa vain litiumakkuja, jotka on toimittanut Cramer.
- Älä kosketa eristämätöntä osaa laturista (liitinnastat) tai lähtöliitintä.
- Älä käytä viallisia johtoja ja johtimia. Vaihda vialliset johdot ja johtimet välittömästi.
- Varmista pitkäaikaisessa säilytyksessä, että säilytyslämpötila on -20–45 °C kuukauden ajan ja 0–35 °C kahden ja kahdentoista kuukauden välillä.
- Akku voidaan purkaa -20–55 °C:n lämpötilassa ja ladata 0–55 °C:n lämpötilassa.

**7.7 AKKULOKERON SUODATTIMEN HUOLTO**

Vaihda paristolokeron suodatin 200 tunnin välein.

**7.8 HUOLTO****i TÄRKEÄÄ**

Odota, että kaikki liikkeet pysähtyvät ennen säätämistä, puhdistamista tai korjaamista. Vain koulutettu huoltohenkilöstö saa suorittaa sähkövirtaa vaativia korjauksia tai huoltoja. Lue ja huomioi käyttöoppaan alussa olevat turvallisuusvaroitukset.

**i TÄRKEÄÄ**

Vain koulutettu huoltohenkilöstö saa suorittaa sähkövirtaa vaativia korjauksia tai huoltoja.

- Pysäköi ruohonleikkuri tasaiselle alustalle. Varmista, että ohjauksen ohjausvivut ovat vapaa-asennossa, ja että leikkuupöydän PTO-kytkin on "OFF"-asennossa. Nosta leikkuupöytä, kierrä avain "OFF"-asentoon, poista avain kytkimestä ja poista akut akkulokeroista istuimen alta.
- Koulutetun huoltoasentajan on suoritettava kaikki huoltotoimenpiteet, jotka edellyttävät suojakansien poistamista.

- Käytä tikkuu tai vastaavaa välinettä ruohonleikkurin alta puhdistamiseen, ja varmista, ettei mikään ruumiinosa – etenkin kädet – ole ruohonleikkurin alla.
- Pidä kone puhtaana ja poista kaikki roskat ja leikkuujätteet.
- Pidä akkulokero, leikkuupöytä ja kuljettajan työpiste puhtaina kerääntyneistä roskista, ruohojätteestä ja muista roskista.
- Puhdista akkutila, käyttömoottoritila, leikkurin leikkuupöytä, istuin jne. kaikesta liasta ja roskista. Käytä puhdistamiseen vain paineilmaa. ÄLÄ käytä vettä, liuottimia, voimakkaita puhdistusaineita tai hankausaineita.
- Käytä aina asianmukaisia suojalaseja huoltaessasi akkuja tai hioessasi ruohonleikkurin teriä ja poistaessasi kerääntyneitä roskia. Älä koskaan tee mitään säätöjä tai korjauksia leikkurin käyttöjärjestelmään, leikkuupöytään tai mihinkään lisälaitteeseen, kun vetovoimajärjestelmä on käynnissä. Vain koulutettu huoltohenkilöstö saa suorittaa sähkövirtaa vaativia korjauksia tai huoltoja.
- Älä koskaan työskentele koneen tai lisälaitteen alla, ellei sitä ole tuettu turvallisesti alustapukeilla. Varmista, että kone on kiinnitetty, kun se nostetaan ja asetetaan alustapukeille.
- Alustapukit eivät saa päästää konetta liikkumaan, kun vetovoimajärjestelmä on käynnissä ja vetopyörät pyörivät. Käytä vain sertifioituja alustapukkeja. Käytä koneen liikkumisen estämiseen vain asianmukaisia alustapukkeja, joiden vähimmäispaino on 907,2 kg. Käytä vain pareittain. Noudata alustapukien mukana toimitettuja ohjeita.
- Älä koske koneen kuumiin osiin.
- Pidä mutterit ja pultit tiukalla, erityisesti terän kiinnityspultit. Pidä laite hyvässä toimintakunnossa.
- Älä koskaan peukaloi turvalaitteita. Tarkista niiden oikea toiminta säännöllisesti.
- Käännä avain "OFF"-asentoon ennen poistokourun tukosten selvittämistä.
- Älä koskaan tyhjennä poistokourua koneen käydessä. Käännä avain "OFF" -asentoon ja varmista, että terät ovat pysähtyneet ennen puhdistamista. Tyhjennä tukkeutunut poistoalue tikulla. Älä koskaan käytä käsiäsi!
- Pysäytä laite ja anna terien pysähtyä ennen kuin poistat tukoksen kourusta. Ruohonkeräysjärjestelmän osat ovat alttiita kulumiselle, vaurioille ja heikkenemiselle, mikä voi paljastaa liikkuvat osat tai mahdollistaa esineiden sinkoutumisen. Tarkista osat usein ja vaihda ne valmistajan suosittelemiin osiin, mikäli tarpeen.
- Ole varovainen työskennellessäsi leikkuupöydän alla, sillä leikkurin terät ovat erittäin teräviä. Käytä käsineitä ja ole erityisen varovainen huoltaessasi teriä.
- Käytä vain alkuperäisiä Cramer ruohonleikkurin osia varmistaaksesi, että alkuperäiset standardit säilyvät voimassa.
- Poista aina akut, kun kuljetat laitetta. Poista laitteesta leikkuujätteet, lehdet, lika ja muut roskat.
- Tarkista jarrujen toiminta usein. Säädä ja huollata tarpeen mukaan.
- Säilytä kunnossa tai vaihda turvallisuus- ja ohjetarrat tarpeen mukaan.
- Huollata ajettava ruohonleikkuri asiantuntevalla korjaajalla, joka käyttää vain identtisiä varaosia. Näin varmistetaan, että ajettavan ruohonleikkurin turvallisuus säilyy.
- Lataa vain valmistajan määrittämällä laturilla. Laturi, joka sopii yhdentyyppiselle akulle voi aiheuttaa tulipalovaaran, jos sitä käytetään toisenlaisen akun kanssa.

## 8 KULJETTAMINEN JA SÄILYTYS

### 8.1 KULJETUS

#### ▲ VAROITUS

Ole erityisen varovainen, kun lastaat konetta perävaunuun tai purat sitä perävaunusta. Paina alhaisen nopeuden käyttöpainiketta ja siirrä käyttövipuja varovasti tarpeen mukaan nopeuden säätämiseksi. Aja kone peruuttamalla, kun lastaat sen perävaunuun. Kun lastaat tai purat ruohonleikkurin, älä ylitä suurinta suositeltua ajokulmaa 15°. Näiden ohjeiden noudattamatta jättäminen voi johtaa hallinnan menetykseen ja kuolemaan, vakavaan henkilövahinkoon tai omaisuusvahinkoon.

#### ▲ VAROITUS

Ole varovainen lastatessasi ruohonleikkuria perävaunuun tai purkaessasi sitä siitä. Varmista, että leikkuupöytä on nostettu korkeimpaan asentoon, jotta se ei jää kiinni luiskaan. Ruohonleikkurin pyörät voivat mennä sivuun luiskalta tai perävaunusta, jolloin ruohonleikkuri kääntyy tai kaatuu, mikä johtaa murskaantumisvaaraan, joka voi aiheuttaa kuoleman tai vakavan henkilövahingon.

1. Pysäköi ruohonleikkuri tasaiselle alustalle.

2. Nosta leikkuupöytä korkeimpaan asentoon.
3. Sijoita ja kiinnitä luiska perävaunuun valmistajan ohjeiden mukaisesti.

## i HUOMAA

Suosittellemme käyttämään yhtä täysleveää lastausluiskaa, joka on vähintään 30 cm ruohonleikkuria leveämpi, jotta vältät ruohonleikkurin pyörien menemisen luiskan ulkopuolelle.

4. Peruuta ruohonleikkuri hitaasti luiskalle ja perävaunuun.
5. Laske leikkuupöytä kokonaan.
6. Aseta seisontajarru.
7. Sammuta ruohonleikkuri ja poista virta-avain.
8. Kiinnitä ruohonleikkuri tarvittaessa hihnoilla tai kaapeleilla estääksesi liikkumisen kuljetuksen aikana.

## ▲ VAROITUS

Välttääksesi vahingossa tapahtuvan käynnistyksen tai liikkumisen, joka voi johtaa vakaviin henkilövahinkoihin, poista virta-avain aina ja aseta seisontajarru päälle kuljettaessasi ruohonleikkuria.

## 8.2 PUHDISTAMINEN JA VARASTOINTI

### 8.2.1 KONEEN PUHDISTAMINEN

- Poista kaikki kertynyt ruoho ja lehdet moottorin kannelta tai sen ympäriltä (älä käytä korkeapainepesuria moottorin huuhteluun).
- Pyyhi ruohonleikkuri silloin tällöin puhtaaksi kuivalla liinalla.
- Jos ruohonleikkurin alapuolelle kertyy roskia käytön aikana, sammuta moottori, kytke kone pois päältä ja raaputa se puhtaaksi sopivalla työkalulla.

### 8.2.2 RUOHONLEIKKURIN LEIKKUUPÖYDÄN PUHDISTAMINEN

*Katso kuva 20*

- Aseta seisontajarru seisonta-aukkoihin.
- Säädä ruohonleikkurin leikkuupöydän korkeus matalimpaan.
- Kiinnitä mukana toimitettu pesuliitännän pikaliitin puutarhaletkuun.
- Kiinnitä puutarhaletku pikaliittimellä ruohonleikkurin leikkuupöydän pesuliitännään. Pesuliitäntä on ruohonleikkurin leikkuupöydän vasemmalla puolella.
- Kytke vesi päälle.
- Vedä PTO-kytkintä käynnistääksesi ruohonleikkurin leikkuuterät ja säädä terän nopeus korkeimpaan.
- Huuhtele vedellä leikkuupöydän alta noin minuutin ajan.
- Irrota ruohonleikkurin terät painamalla PTO kytkin alas.
- Sulje vesi ja poista puutarhaletku ja pikaliitin pesuliitännästä.
- Poista pikaliitin puutarhaletkusta ja säilytä myöhempää käyttöä varten.
- Sammuta ruohonleikkuri kokonaan.

### 8.2.3 KONEEN VARASTOINTI

Seuraavat vaiheet on suoritettava koneen valmistelemiseksi varastointia varten.

- Puhdista kone edellisessä osassa kuvatulla tavalla.
- Tarkista terä ja vaihda tai teroita se tarvittaessa (katso Huolto-osio).
- Älä säilytä konetta syövyttävien materiaalien, kuten lannoitteiden tai kivisuolan, vieressä.
- Pidä kone poissa lasten ulottuvilta.
- Älä peitä konetta kiinteällä muovipeitolla. Muovipäälysteet vangitsevat kosteuden koneen ympärille, mikä aiheuttaa ruostetta ja korroosiota.
- Tarkista huolellisesti, onko koneessa kuluneita tai vaurioituneita osia, jotka on vaihdettava, ja tilaa ne jälleenmyyjältäsi.
- Ota yhteyttä huoltoliikkeeseen koneen voitelemiseksi perusteellisesti.
- Lataa akut täyteen ja huolla ne.



- Älä tyhjennä renkaita.
- Konetta tulee säilyttää hyvin ilmastoidussa, puhtaassa ja kuivassa paikassa, koska akkulatoria ei voi käyttää määrässä ympäristössä.
  - Pidä akut aina täyteen ladattuina. On erityisen tärkeää estää akun vaurioituminen, kun lämpötila on alle 0 ° C.
  - Kiinnitä laturisovitin latausliitäntään ja akkuun Sähköjärjestelmä-osion Lataussovitin-osan mukaisesti.
  - Liitä laturin pistoke pistorasiaan. Katso Sähköjärjestelmä-osion Akkulaturi-, Akun lataus- ja lataussuositukset -osioista lisätietoja laturin käytöstä ja akkujen lataamisesta.
  - Akut pitää ladata täyteen pian käytön jälkeen niiden käyttööän maksimoimiseksi.

## 8.2.4 VALMISTELU VARASTOINNIN JÄLKEISEEN KÄYTTÖÖN

Seuraavat vaiheet on toteutettava ennen ruohonleikkurin käyttöä varastoinnin jälkeen:

- Lataa akut täyteen.
- Tarkista rengaspaineet ja täytä tarvittaessa.
- Aja ruohonleikkuria lyhyesti ja tarkista kaikki järjestelmät ja komponentit varmistaaksesi, että ne toimivat oikein.

## 9 VIANMÄÄRITYS

ONGELMA	MAHDOLLINEN SYY	RATKAISU
Ajoneuvo ei liiku.	Akkulokeroa ei ole asetettu akkuun tai ei Cramer määritettyä akkua.	Ajoneuvon normaalin toiminnan varmistamiseksi vähintään 1 Cramer määritetty akku on asetettava akkulokeroon.
	Akkua ei ole ladattu.	Tarkista akun virta.
	Kukaan ei istu istuimella tai käyttäjän läsnäolokytkintä ei ole suljettu.	Varmista, että kuljettaja istuu istuimella.
	Seisontajarru on kytketty.	Varmista, että irrotat seisontajarrun kokonaan, jotta pyörät voivat pyöriä vapaasti.
	Paristolokero on lepotilassa.	Käännä avainkytkin OFF-vaihteeseen ja odota yli 5 sekuntia ennen koneen uudelleenkäynnistystä.
Äkillinen rikkoutuminen ajon aikana	Akkua ei ole ladattu.	Koko ajoneuvon normaalin toiminnan varmistamiseksi vähintään 1 Cramer määritetty akku on asetettava akkulokeroon, varmista, että akussa on virtaa.
	Karkeat ja kuoppaiset tiet ovat irrotta- neet käyttäjän läsnäolokytkimen.	Aseta seisontajarru, käynnistä kone uudelleen ja paina ohjaussauvaa.
	Kaasupolkimen vika.	Ota yhteyttä Cramer myyntihenkilökuntaan.
	Käyttöohjaimen häiriö.	Ota yhteyttä Cramer myyntihenkilökuntaan.
Terä ei toimi PTO-kytkimen vetämisen jälkeen.	Akkulokeroon ei ole asetettu akkua, jonka on määrittänyt Cramer.	Koko ajoneuvon normaalin toiminnan varmistamiseksi vähintään 1 Cramer määritetty akku on asetettava akkulokeroon, varmista, että akussa on virtaa.
	Akun varaustaso on alle 5 %.	Tarkista akun varaus, jos akun varaus on vähissä, lataa akku.
	Käyttäjän läsnäolokytkintä ei ole suljettu.	Varmista, että kuljettaja istuu istuimella.
	Terän kytkin (PTO) ei ole alkuasennossa ennen virran kytkemistä.	Paina PTO-kytkintä ja vedä se uudelleen ylös.
	Terän moottori estetty tai muu toiminnallinen suojaus.	Tarkista, että terän ja moottorin välisessä liitoksessa ei ole rikkaruohoja ja muita vieraita esineitä terän tasaisen pyörimisen varmistamiseksi. On suositeltavaa nostaa leikkuupöytä ylös ja käynnistää terä ennen leikkuupöydän säätämistä vaaditulle vaihteelle.
	Kävelyohjaimessa on toimintahäiriö.	Varmista, että näytössä ei näy muita virheitä.
Terä pysähtyy ruohoa leikatessa.	Terän ohjaimessa on toimintahäiriö.	Tarkista näytöllä näkyvä virhekoodi.
	Terän moottorin ylikuormitus.	Puhdista leikkuupöydän sisäpuoli, varmista, että terän pyöriminen ei ole epänormaalia, paina PTO-kytkintä, käynnistä kone uudelleen ja vähennä terän kuormitusta joko nostamalla leikkuupöydän korkeutta tai vähentämällä ajonopeutta.
	Akun lämpötila on liian korkea.	Älä käytä sitä heti latauksen päätyttyä, muuten se voi laukaista akun lämpötilan suojausvirheen.
	Akun varaustaso on alle 5 %.	Jos akun varaus on alhainen, lataa akku.
	Terään osuu vieras esine, mikä aiheuttaa äkillisen pysähdyksen.	Käännä virta-avain OFF-asentoon ja odota yli 5 sekuntia ennen kuin käynnistät koneen uudelleen.
	Käyttöohjaimessa on toimintahäiriö.	Tarkista näytöllä näkyvä virhekoodi.

ONGELMA	MAHDOLLINEN SYY	RATKAISU
Ruohonleikkuri leikkaa ruohoa epätasaisesti, ja korkeusero on erittäin suuri.	Terä on tylsä.	Kiillota terä käyttöoppaan mukaisesti.
	Terä on taipunut.	Vaihda taipunut terä, vaihda terä ohjeiden mukaisesti ja käytä suojavarusteita.
	Leikkuupöytä ei ole vaakasuora.	Tasoi leikkuupöytä ohjeiden mukaan varmistaaksesi, että vasen ja oikea korkeus ovat yhtä suuret.
Todellinen leikkuukorkeus ei vastaa valittua merkittyä leikkuukorkeutta.	Leikkuupöydän kiinnityspultit löysällä.	Sääda leikkuupöydän kiinnityspultit varmistaaksesi, että pöytä on asennettu tukevasti. Huomaa: leikkuupöytä on asetettava uudelleen vaakasuoraan kiinnityspulttien säätämisen jälkeen.
	Leikkuupöytä on merkittävästi kulunut tai vaurioitunut.	Vaihda uusi leikkuupöytä.
Ajoneuvo silppuaa epänormaalisti	Nurmikko on liian märkä.	Tarkista ruohon kunto ennen leikkaamista. Jos ruoho on liian märkää, odota sen kuivumista tuulessa tai auringonpaisteessa. Odota kasteen haihtumista nurmikolta ennen leikkaamista.
	Ruohonleikkuri on asetettu leikkaamaan liikaa ruohoa kerralla.	Jos ruoho on liian tiheää ja korkeaa, nosta leikkuupöytää ja vältä raskaan ruohon leikkaamista niin paljon kuin mahdollista.
Liiallinen koneen värinä	Terät ovat löysät.	Kiillota terä käyttöohjeen menetelmän mukaisesti.
	Terät ovat tylsät.	Vaihda taipunut terä, kiinnitä huomiota terän vaihtamiseen oikein ohjeiden mukaisesti ja käytä suojakäsineitä.
	Leikkuupöytä ei ole vaakasuorassa.	Tasoi leikkuupöytä ohjeiden mukaan varmistaaksesi, että vasen ja oikea korkeus ovat yhtä suuret.
	Leikkuupöytä on löysällä.	Lukitse leikkuupöydän kiinteät pultit.
	Ruohonleikkuri on asetettu leikkaamaan liikaa ruohoa kerralla.	Jos ruoho on liian tiheää ja korkeaa, nosta leikkuupöytää, yritä välttää raskaan ruohon leikkaamista.
Lehtiä tai roskia jää maahan leikkaamisen jälkeen.	Ruohonleikkuri on asetettu leikkaamaan liikaa ruohoa kerralla.	Jos ruoho on liian tiheää ja korkeaa, nosta leikkuupöytää, jos ruoho on korkeampaa kuin 15 cm, leikkaa kaksi kertaa haluamasi leikkuuvaikutuksen saavuttamiseksi, yritä välttää raskaan ruohon leikkaamista.
	Ruoho on liian märkä.	Tarkista ruohon kunto ennen leikkaamista, jos ruoho on liian märkää, odota sen kuivumista tuulessa tai auringonpaisteessa. Odota kasteen haihtumista nurmikolta ennen leikkaamista.
	Ajoneuvon nopeus on liian nopea.	Laske ajonopeutta.
	Terän leikkausnopeus on liian hidas.	Lisää terän nopeustasoa.
Lyhyt leikkuaika	Raskaan ruohon leikkaaminen voi johtaa lyhyeen leikkauksen kesto.	Leikkuupöydän nostaminen tai terän nopeuden pienentäminen voi lisätä ruohonleikkurin käyttöaikaa yhdellä la- tauksella.
Ruohonleikkuri pois hallinnasta	Eriäinen rengaspaine	Tarkista ruohonleikkurin takarengaspaine säännöllisesti käyttöoppaan mukaisesti.
Ajoneuvo ei käynnisty pesun jälkeen.	Virheellinen puhdistus, kuten vettä on päässyt LED-näyttöön, akkulokeroon ja muihin elektronisiin komponentteihin.	<ol style="list-style-type: none"> <li>Puhdistu kone noudattamalla ohjeita.</li> <li>Jos ajoneuvo on vahingossa kastunut, laita ajoneuvo kuivaan paikkaan 12 tunnin ajaksi tai puhalla se kuivaksi ennen käyttöä.</li> <li>Ota yhteyttä Cramer myyntihenkilökuntaan.</li> </ol>

ONGELMA	MAHDOLLINEN SYY	RATKAISU
Ruohonleikkuri on tukossa.	Leikkuupöydälle on kasautunut rikkaruohoja ja roskia.	Noudata ohjeita puhdistaaksesi koneen joka kerta koneen käytön jälkeen.
Pysäköintitilassa kone liikkuu nopeasti rinteessä ja luistaa.	Renkaat hyvin kuluneet.	Ota yhteyttä huoltohenkilöstöön renkaiden vaihtamiseksi.
	Sähkömagneettinen jarru on vaurioitunut tai liian kulunut.	Ota yhteyttä myyntihenkilökuntaan sähkömagneettisen jarrun vaihtamiseksi.
	Sähkömagneettinen jarru vapautetaan manuaalisesti.	Tarkista sähkömagneettinen jarru ja palauta se alkuasentoon.

## 10 TEKNISET TIEDOT

Mallin nro	82LT107
Jännite	82 V
Ajoneuvon kokonaispaino	106±3 kg
Pituus	170 cm
Korkeus	117 cm
Leveys (poiston kanssa)	135 cm
Leveys (ilman poistoa)	107 cm
Leikkuupöydän leveys	107 cm
Ajonopeus eteenpäin	0-8 mph
Peruutusnopeus	0-3 mph
Leikkuukorkeusalue	3.81-11.4 cm
Leikkuukorkeuden säätäminen	7 kpl
Joutokäyntinopeus	2400/3000/3200 RPM
Latausaika	4 t (yhden 8 laturilla)
Moottorin teho	1.2 kW (terämoottori)
	1.2 (käyttömoottori)
Rinteen MAX-kaltevuus	15°
Terien lukumäärä (poisto/silppuri)	2 kpl
Mitattu äänenpainetaso	$L_{pA} = 84.77$ dB (A), $K_{pA} = 3$ dB (A)
Mitattu äänitehotaso	$L_{wA} = 98.24$ dB (A)
Taattu äänitehotaso	$L_{wA,d} = 100$ dB (A)
Tärinä	Aseet: $\leq 2.5$ m/s <sup>2</sup> , $K = 1.5$ m/s <sup>2</sup>
	Runko: $\leq 2.5$ m/s <sup>2</sup> , $K = 1.5$ m/s <sup>2</sup>

## 11 RAJOITETTU TAKUU

### 11.1 MITÄ TÄMÄ TAKUU KATTAÄ

Cramer myöntää seuraavan takuun alkuperäiselle ostajalle ("Omistaja") – takuuta ei voi siirtää:

**A. Kotitalouskäyttö:** Cramer tuotteelle, jota käytetään tavallisessa kotikäytössä\*, myönnetään viiden (5) vuoden tai 1 500 tunnin kokonaiskäyttötakuu (sen mukaan, kumpi tulee ensin) ostopäivästä alkaen. Takuu koskee kaikkia rungon, leikkuupöydän ja akkujen materiaaleja ja valmistusvikoja. Kuluvilla osilla, kuten renkailla ja terillä, on

kolmenkymmenen (30) päivän takuu ostopäivästä lukien. Jos Omistaja havaitsee tämän takuuajan sisällä materiaali- tai valmistusvirian:

- Omistajan on ilmoitettava asiasta viipymättä Cramer tai valtuutetulle jälleenmyyjälle kirjallisesti, sähköpostitse, puhelimitse, sovelluksella tai henkilökohtaisesti. Tällaista ilmoitusta ei saa missään tapauksessa vastaanottaa Cramertai valtuutettu jälleenmyyjä yli viiden (5) vuoden kuluttua ostopäivästä.
- Kohtuullisen ajan kuluessa tällaisesta ilmoituksesta ja takuuvirheen todentamisesta; Cramer korjaa kaikki materiaali- tai valmistusvirheet Cramer tuotteesta korjaamalla tai korvaamalla osia valintansa mukaan joko uusilla tai käytetyillä varaosilla.
- Tällaisen korjauksen, mukaan lukien osat ja työvoima, maksaa Cramer koskee vain alkuperäistä Omistajaa.

**B. Kaupallinen käyttö:** Cramer tuotteelle, jota käytetään kaupallisessa ja laituskäytössä, myönnetään viiden (5) vuoden tai 1 500 tunnin kokonaiskäyttötakuu (sen mukaan, kumpi tulee ensin) ostopäivästä. Takuu koskee kaikkia rungon, leikkuupöydän ja akkujen materiaaleja ja valmistustyötä. Kuluville osilla (mukaan lukien mutta ei näihin rajoittuen renkaat ja terät) on kolmenkymmenen (30) päivän takuu ostopäivästä lukien. Jos Omistaja havaitsee tämän takuuajan sisällä materiaali- tai valmistusvirian:

- Omistajan on ilmoitettava asiasta viipymättä Cramer tai valtuutetulle jälleenmyyjälle kirjallisesti, sähköpostitse, puhelimitse, sovelluksella tai henkilökohtaisesti. Tällaista ilmoitusta ei saa missään tapauksessa vastaanottaa Cramertai valtuutettu jälleenmyyjä yli viiden (5) vuoden kuluttua ostopäivästä.
- Kohtuullisen ajan kuluessa tällaisesta ilmoituksesta ja takuuvirheen todentamisesta Cramer korjaa kaikki materiaali- tai valmistusvirheet Cramer tuotteesta korjaamalla tai korvaamalla osia valintansa mukaan joko uusilla tai käytetyillä varaosilla.
- Tällaisen korjauksen, mukaan lukien osat ja työvoima, maksaa Cramer koskee vain alkuperäistä Omistajaa (kaupallinen).

## i HUOMAA

Jos akkuja ei ylläpidetä kunnolla ja pidetä täyteen ladattuina, akun käyttöikä lyhenee ja akun takuu mitätöity. Tämän rajoitetun takuun määräykset eivät koske vikoja, jotka johtuvat seuraavista:

- Väärinkäyttö tai laiminlyönti, kuten: vesivahingot, löysät johdot tai ruostuneet tai syöpyneet laitteet.
- Asianmukaisen huollon puute: akun väärästä asennuksesta aiheutuneet vauriot; laiminlyönti, rikkoutuminen, altistuminen äärimmäisille lämpötiloille, mukaan lukien, mutta ei rajoittuen, jäätymislämpötilat, kuumat lämpötilat, lämmönlähteiden, kuten lämmittimien tai tulen, läheisyys, altistuminen vedelle tai muille aineille, hylkääminen, akun käyttö ylläladatussa tai lataamattomassa tilassa.
- Akku on ladattu muilla järjestelmillä kuin alkuperäisellä akkulaturilla.

**Alaviite:** *”Normaalilla kotikäytöllä” tarkoitetaan tässä Tuotteen käyttöä samalla tontilla, jolla käyttäjän koti sijaitsee. Käyttöä useammassa kuin yhdessä paikassa pidetään kaupallisena käyttönä, johon sovelletaan kaupallisen käytön takuuta.*

## 11.2 KENEN TULEE SUORITTA TAKUUHUOLTO

Kaikki takuuhuollot suorittaa Cramer valtuutettu jälleenmyyjä tai Cramer valtuutettu huoltoteknikko. Huoltopuhelut ja/tai tuotteen kuljetuskulut valtuutetulta jälleenmyyjältä ja valtuutetulle jälleenmyyjälle ja takuutöiden kustannukset maksaa tuotteen omistaja. Ota yhteyttä valtuutettuun jälleenmyyjään takuuhuoltoon varten.

## 11.3 TAKUUN KATTAVUUS

Cramer takuu ei kata:

- Valtuuttamattomien henkilöiden tekemiä korjauksia.
- Vaurioita, jotka ovat aiheutuneet siitä, että Cramer tuotetta on käytetty muihin tarkoituksiin kuin niihin, joita varten se on suunniteltu.
- Katastrofien, kuten tulipalon, tulvien, tuulen ja salaman, aiheuttamia vahinkoja.
- Laiminlyönnistä, väärinkäytöstä, epänormaalista käytöstä, epäasianmukaisesta tai kohtuuttomasta käytöstä, onnettomuudesta, huolimattomuudesta tai väärinkäytöstä, kuten vesivahingoista, aiheutuneita vahinkoja.
- Korjauksia tai vaihtoja, jotka johtuvat luvattomien osien, lisävarusteiden tai lisälaitteiden käytöstä.
- Korjauksia tai vaihtoja, jotka johtuvat mahdollisista muutoksista tai muunteluista määräytyksiin Cramer, mitkä vaikuttavat haitallisesti laitteen toimintaan, suorituskykyyn tai kestävytyteen.
- Tuotteita, komponentteja tai osia, joiden valmistaja ei ole Cramer.

- Tuotteita, joiden tunnistetietoja on muutettu, mukaan lukien mutta ei rajoittuen, sarjanumerot poistettu ja/tai tehty lukukelvottomiksi.
- Arvonalentumista tai vaurioita, jotka johtuvat normaalista kulumisesta, kohtuullisen ja asianmukaisen huollon puutteesta, tuotteen omistajan käsikirjan käyttö-, huolto- ja säätöohjeiden tai muiden käyttöohjeiden noudattamatta jättämisestä, ohjeiden antaja Cramer.
- Normaaleja huolto-osia ja huoltoja, mukaan lukien, mutta ei rajoittuen, voiteluaineet, viritysosat, terät, terien teroitus, laakerit, jarrujen tai ohjauksen säädöt.
- Tuotteita, joiden ohjelmointia ei ole hyväksytty kyseiselle tuotteelle, mukaan lukien parametrien muutokset, jälkimarkkinoiden ohjelmointi tai säädöt tai mitkä tahansa hyväksymättömät muutokset komponentteihin, elektroniikkaan tai ohjelmistoon.

## 11.4 TAKUUN VASTUUVAPAUSLAUSEKE

Edellä mainitut takuut korvaavat kaikki muut nimenomaiset tai epäsuorat takuut, mukaan lukien, mutta ei näihin rajoittuen, oletetut takuut myyntikelpoisuudesta ja sopivuudesta tiettyyn tarkoitukseen. Kuitenkin, jos Cramer tuote ostetaan kuluttajatuotteena, mikä tahansa oletettu takuu myyntikelpoisuudesta tai sopivuudesta tiettyyn tarkoitukseen rajoittuu tämän rajoitetun takuun keston. Jotkin osavaltiot eivät salli rajoituksia oletetun takuun kestoajalle, joten yllä oleva rajoitus ei välttämättä koske sinua. Tämä takuu antaa sinulle tietyt lailliset oikeudet, mutta sinulla voi olla myös muita oikeuksia, jotka vaihtelevat osavaltioittain.

## 11.5 KORJAUSTOIMENPITEIDEN RAJOITUKSET

Missään tapauksessa Cramer ei ole vastuussa mistään erityisistä, satunnaisista tai välillisistä vahingoista, jotka perustuvat takuun rikkomiseen, sopimusrikkomukseen, huolimattomuuteen, ankaraan vahingonkorvausvastuuseen tai mihinkään muuhun oikeudelliseen teoriaan. Tällaisia vahinkoja ovat muun muassa:

- Voittojen menetys
- Säästöjen tai tulojen menetys
- Käytön menetys Cramer Tuote tai siihen liittyvät laitteet
- Pääomakustannukset
- Korvaavien laitteiden, tilojen, palvelujen tai seisokkien kustannukset
- Kolmansien osapuolten, mukaan lukien asiakkaiden, vaatimukset ja omaisuusvahingot

## 11.6 AIKARAJA

Jollei valtion lainsäädännössä toisin säädetä:

Kaikki takuuvaatimuksia koskevat toimet on aloitettava viiden (5) vuoden tai kuudenkymmenen (60) kuukauden kuluessa ostopäivästä kotitalouskäytössä ja/tai kaupallisessa käytössä.

Jos valmistuspäivä ylittää asiakkaan ensimmäistä ostoa edeltävän kohtuullisen ajan, Cramer takuuseen voi liittyä lisärajoituksia.

## 11.7 EI MITA TAKUITA

Tämä sopimus ymmärretään osapuolten väliseksi täydelliseksi ja yksinomaiseksi sopimukseksi, joka korvaa kaikki aiemmat suulliset tai kirjalliset sopimukset ja kaiken muun tähän sopimuksen liittyvän osapuolten välisen viestinnän.

## 11.8 KÄYTTÄJÄN VASTUUT

Huolla tätä Cramer tuotetta omistajan käsikirjassa kuvattujen huoltotoimenpiteiden mukaisesti. Tällainen määräaikaishuolto tapahtuu omalla kustannuksellasi jälleenmyyjän toimesta tai omasta toimestasi.

Tämä kone, kuten kaikki muutkin sähkökäyttöiset laitteet, voivat olla vaarallisia, jos niitä ei käytetä oikein. Jokaisen käyttäjän on oltava varovainen ja pidettävä turvallisuus mielessä aina. Jokaisen käyttäjän tulee ennen Cramer tuotteen käyttöä lukea omistajan käsikirja ja perehtyä koneen käyttöön ja turvallisuuteen sekä kaikkiin itse koneeseen kiinnitettyihin turvallisuusvaroituksiin.

## 11.9 RISKIEN JAKAMINEN

Tämä sopimus jakaa tuotteen rikkoutumisriskin Cramer ja omistajan välille. Molemmat osapuolet tunnustavat tämän jaon, ja se näkyy tuotteiden hinnassa.

**11.10 TAKUUN REKISTERÖIMINEN**

Jollei valtion lainsäädännössä toisin säädetä:

1. Omistajien on rekisteröitävä laite Cramer kymmenen (10) päivän kuluessa ostopäivästä.
2. Rekisteröinti voidaan suorittaa täyttämällä takuun rekisteröintilomake, joka sisältyy käyttöoppaaseen.
3. Rekisteröinti voidaan suorittaa myös käyttämällä lomakkeita, jotka ovat verkossa osoitteessa cramertools.com tai käyttämällä sovellusta ja toimittamalla ostotositteen (kuitti ja ostopäivä).

**12 EU-VAATIMUSTENMUKAISUUSVAKUUTUS**

Valmistajan nimi ja osoite:

Nimi: Greenworks Tools Europe GmbH  
Osoite: Brunnenweg 17, 64331 Weiterstadt, Saksa

Sen henkilön nimi ja osoite, joka on valtuutettu kokoamaan teknisen tiedoston:

Nimi: Ralf Pankalla  
Osoite: Brunnenweg 17, 64331 Weiterstadt, Saksa

Täten vakuutamme, että tuote

Luokka: Nurmikkotraktori  
Malli: 82LT107  
Sarjanumero: Katso tuotteen tyyppikilpi  
Valmistusvuosi: Katso tuotteen tyyppikilpi

- täyttää konedirektiivin 2006/42/EY olennaiset vaatimukset.
- täyttää seuraavien muiden EU-direktiivien vaatimukset:
  - 2014/30/EU
  - 2011/65/EU ja (EU) 2015/863

Lisäksi vakuutamme, että seuraavia yhdenmukaistettuja eurooppalaisia standardeja (osia/artikloja) on käytetty:

- EN 62841-1, EN ISO 5395-1, EN ISO 5395-3, EN ISO 14982, IEC 62321-3-1, IEC 62321-4, IEC 62321-5, IEC 62321-6, IEC 62321-7-1, IEC 62321-7-2, IEC 62321-8

Paikka, päiväys: 11.11.2022

Allekirjoitus: Ted Qu, laatujohtaja

Ted Qu

<b>1</b>	<b>Beskrivning.....</b>	<b>201</b>	7.4	Smörjning.....	212
1.1	Översikt.....	201	7.5	Vridmomentsvärden.....	213
1.2	Manöverpanel.....	201	7.6	Underhåll av batteripaket.....	213
<b>2</b>	<b>Packa upp maskinen.....</b>	<b>201</b>	7.7	Underhåll av batterifackfilter .....	213
<b>3</b>	<b>Installation.....</b>	<b>202</b>	7.8	Service.....	213
3.1	Montera sätet.....	202	<b>8</b>	<b>Transport och förvaring.....</b>	<b>214</b>
3.2	Montera ratten.....	202	8.1	Frakt.....	214
3.3	Installera marktäckningsskyddet.....	202	8.2	Rengöring och förvaring.....	215
3.4	Antiskalperingshjul.....	202	<b>9</b>	<b>Felsökning.....</b>	<b>217</b>
3.5	Använd appen.....	203	<b>10</b>	<b>Tekniska data.....</b>	<b>219</b>
<b>4</b>	<b>Bruksanvisningar.....</b>	<b>203</b>	<b>11</b>	<b>Begränsad garanti.....</b>	<b>219</b>
4.1	Före drift.....	203	11.1	Vad den här garantin täcker.....	219
4.2	Manövrera maskinen.....	204	11.2	Vem får utföra garantiservice.....	220
<b>5</b>	<b>Elektriskt system.....</b>	<b>207</b>	11.3	Vad den här garantin inte täcker.....	220
5.1	Elsystemsäkerhet.....	207	11.4	Ansvarsfriskrivning.....	221
5.2	Information om det elektriska systemet..	207	11.5	Begränsning av påföljder.....	221
5.3	Digital display.....	207	11.6	Varaktighet.....	221
<b>6</b>	<b>Fel.....</b>	<b>208</b>	11.7	Inga andra garantier.....	221
6.1	Felkod.....	209	11.8	Ägaransvar.....	221
<b>7</b>	<b>Underhåll.....</b>	<b>211</b>	11.9	Tilldelning av risk.....	221
7.1	Underhåll av klippblad.....	211	11.10	Garantiregistrering.....	221
7.2	Byte av strålkastare.....	212	<b>12</b>	<b>EG-försäkrans om</b>	
7.3	Däck.....	212		<b>överensstämmelse.....</b>	<b>222</b>



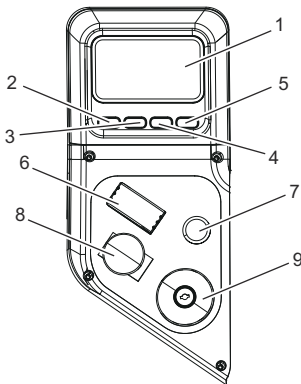
## 1 BESKRIVNING

### 1.1 ÖVERSIKT

Se separat figurblad 1-20

- |                                |                       |
|--------------------------------|-----------------------|
| 1 Justeringsspak till säte     | 17 Ratt               |
| 2 Sidoutmatningstratt          | 18 Skyddsplatta       |
| 3 Bromspedal                   | 19 Marktäckningsskydd |
| 4 Manöverpanel                 | 20 Lagerring          |
| 5 Höjjusteringsspak till däck  | 21 Fixeringsklämmor   |
| 6 Gaspedal                     | 22 Serienummer        |
| 7 Handtag till parkeringsbroms | 23 Parkopplingskod    |
| 8 Strålkastare                 | 24 QR-kod             |
| 9 Mugghållare                  | 25 Batterifack        |
| 10 USB-port                    | 26 Batteri            |
| 11 Antiskalperingshjul         | 27 Batterispår        |
| 12 Sätesspanel                 | 28 Kniv               |
| 13 Sätesskontakt               | 29 Oljeport           |
| 14 Styraxel                    | 30 Oljeutlopp         |
| 15 Koppling                    | 31 Trädgårdsslang     |
| 16 Rattstång                   | 32 Snabbkopplare      |
|                                | 33 Rengöringsport     |

### 1.2 MANÖVERPANEL



#	Namn	Funktion
1	Digital display	Displayen visar viktig information om elsystemet. Se avsnittet Elektricitet för mer information.
2	Knivmotor hastighetsreglage/Återställ	Justera bladets hastighet (cykliskt) när den finns på hemsidan. Tryck på knappen för att återgå till föregående sida.
3	Menynavigering/Sida upp	Gå till sista sidan på den digitala displayen. Gå tillbaka till startsidan.
4	Lampbrytare/Sida ned	Slå på/stänga av lamporna när den är på hemsidan. Gå till nästa sida på den digitala displayen.
5	Brytare för farthållare/Bekräfta	Tryck och håll nere i 0,4 sekunder för att aktivera farthållaren. Tryck på brytaren för att bekräfta.
6	Riktning-brytare	Gräsklipparens rörelseriktning styrs med riktningreglaget. De inställningar som är tillgängliga är Drive (D), Neutral (N) och Reverse (R).
7	Backknapp	Klipp när du backar genom att aktivera backklippningsknappen.
8	Strömbrytare	Använd strömbrytaren för att slå på och av gräsklipparen. Startnyckeln måste sättas i innan strömbrytaren kan användas.
9	Däckbladens PÅ/AV-brytare (PTO)	Brytaren kopplar in bladmotorerna. Dra upp brytaren för att koppla in motorerna och tryck ned den för att koppla ur motorerna.

SV

### i VIKTIGT

Koppla aldrig in knivmotorerna när däckets belastning är hög. Det kan skada motorerna eller däckets.

## 2 PACKA UPP MASKINEN

### ▲ VARNING

Kontrollera att maskinen är rätt monterad före användning.

### ▲ VARNING

- Om delar av maskinen är skadade, använd inte maskinen.
- Använd inte maskinen om det saknas delar.
- Om delar är skadade eller saknas, kontakta servicecenter.

1. Öppna förpackningen.
2. Läs igenom dokumentationen som medföljer i förpackningen.
3. Ta ut alla omonterade delar från förpackningen.
4. Ta ut maskinen från förpackningen.
5. Avfallshandla lådan och förpackningsmaterialet enligt lokala regler.

## ▲ VARNING

För din personliga säkerhet, sätt inte i batteriet innan verktyget är helt monterat.

## 3 INSTALLATION

### 3.1 MONTERA SÄTET

Se figur 3

1. Placera sätesanordningen över sätespanelen och rikta in hålen enligt illustrationen.
2. Montera bultarna, brickorna och muttrarna och dra åt ordentligt.
3. Fäst hylsan på muttrarna.
4. Se till att anordningen är ordentligt monterad.
5. Anslut säteskontakten till maskinen.

### 3.2 MONTERA RATTEN

Se figur 4-5

## i NOTERA

Se till att skåran är vänd mot sätet.

1. Installera styraxeln i kopplingen, rotera och rikta in hålet i axeln efter behov med bulhålet i kopplingen.
2. Montera två bultar och dra åt ordentligt.

## i NOTERA

Dra åt bultarna till det värde som visas.

3. Montera rattstängan. Observera flikarna på undersidan av rattstängan som passar in i hålen i öppningen och se till att rattstängan sitter säkert.
4. Se till att klipparens hjul är riktade rakt fram och fäst sedan ratten på rattstängan med viss kraft.
5. Installera bulten och brickan. Dra åt ordentligt.
6. Montera rattens skyddsplåt.

### 3.3 INSTALLERA MARKTÄCKNINGSSKYDDET

Se figur 6

Gräsklipparen är konfigurerad för sidoutmatning under transport. Om marktäckning önskas:

1. Sätt marktäckningsskyddet över fliken på gräsklipparhöljet.
2. Rikta in hålen i marktäckningsskyddet med hålen i gräsklipparhöljet.
3. Montera och dra åt bultarna, skruvarna, fixeringsklämmorna och lagerringen enligt bilden.

### 3.4 ANTISKALPERINGSHJUL

Se figur 2

Antiskalperingshjul är standard på Cramer-enheter. Antiskalperingshjulen är utformade för att minimera skalpering på tuff, ojämn terräng. Ställ in klipphöjden och justera antiskalperingshjulen så att de sträcker sig under däckets utan att komma i kontakt med marken. De bör alltid vara minst 0,6–1,9 cm under däckets. Det går att justera hjulen uppåt eller

nedåt från 1,9–4,4 cm under bladytan medan enheten står på ett jämnt och plant underlag. Flytta hjulen upp eller ned – använd de olika monteringshålerna på axeln i hjulfästet (beroende på modell).

### 3.5 ANVÄND APPEN

Se figur 7-8

1. Besök Fleet Managements webbplats: [fleet.cramertools.com](http://fleet.cramertools.com)
2. Skapa ett konto och logga sedan in.
3. Bjud in andra användare i din organisation.
4. Skanna QR-koden, ladda ner appen och logga in.
5. Lägg till en enhet. Hitta serienumret, parkopplingskoden och QR-koden på fordonets matchande etikett i denna bruksanvisning. Skanna QR-koden eller fyll i manuellt.

## 4 BRUKSANVISNINGAR

### 4.1 FÖRE DRIFT

#### 4.1.1 JUSTERA SÄTET

Se figur 9

Justera sätets position och se till att du har stadig kontakt med gas- och bromspedalerna innan du använder gräsklipparen.

1. Sätt dig på sätet och dra upp sätesjusteringsspaken.
2. Skjut sätet till önskat läge medan du håller i spaken.
3. Släpp spaken och se till att sätet är låst i läge innan du använder gräsklipparen.

#### ▲ VARNING

Se till att sätet är låst på plats innan du använder gräsklipparen. Om sätet inte är säkrat kan föraren förflyttas och tappa kontrollen över gräsklipparen vilket kan leda till dödsfall eller allvarliga personskador.

#### 4.1.2 JUSTERA KLIPPHÖJDEN

Se figur 10

Innan du använder gräsklipparen ska du höja däckhöjden till klippläget som är bäst lämpat för din gräsmatta.

Däckhöjden är justerbar från 3.81-11.4 cm. Däcket ska vara upphöjt under användning för att undvika stubbar, stenar och andra hinder som kan skada däcket.

#### ▲ OBSERVERA

Håll stadigt i spaken för justering av däckhöjden och släpp endast när den sitter fast i önskat spår. Om du släpper spaken för snabbt kan det riskera att förarens hand hamnar i kläm.

1. Stoppa gräsklipparen och koppla ur bladen.
2. Vrid nyckeln till AV-läge och dra åt parkeringsbromsen.
3. Hög skärdäcket genom att ta tag i däckets höjdjusteringsspak, tryck åt vänster för att lossa från skåran, flytta mot baksidan av gräsklipparen och tryck sedan åt höger i skåran för att säkra.
4. Hög skärdäcket genom att ta tag i däckets höjdjusteringsspak, tryck åt vänster för att lossa från skåran, flytta mot framsidan av gräsklipparen och tryck sedan åt höger i skåran för att säkra.

#### 4.1.3 MONTERA BATTERIPAKETET

Se figur 11

Kontrollera att klipparens batterier är fulladdade via batterinivåindikatorn. Se batterimanualen för mer information.

1. Lyft sätespanelen.
2. Lyft upp batterifackets lock.
3. Montera batteripaketet i batterifacket.

## ▲ VARNING

Rikta in batteriets ribbor med batteriporten. Se till att batterispärren klickar fast i batterifacket.

### 4.1.4 INNAN DU ANVÄNDER MASKINEN

- Se till att arbetsområdet är fritt från barn, förbipasserande och husdjur.
- Rensa arbetsområdet från föremål som kan slungas ut från gräsklipparknivarna.
- Kontrollera bromsfunktionen.
- Kontrollera däcktrycket.
- Kontrollera om det finns lösa fästen.
- Kontrollera att alla skydd är på plats och fungerar korrekt.
- Ta bort skräp från gräsklipparen.
- Testa säkerhetsspärssystemet.
- Justera sätet till önskat läge.
- Kontrollera batteriladdningsnivån.

### 4.1.5 SÄKERHETSSPÄRRSYSTEM

Se figur 12

Denna gräsklippare har ett säkerhetsspärssystem för att skydda föraren som stänger av bladen om föraren lämnar sätet med bladen igång. Testa systemet före varje användning för att vara säker på att det fungerar korrekt.

1. Se till att riktningssomkopplaren är i neutralläge (N) och att PTO-brytaren pekar nedåt.
2. Sätt i startnyckeln och vrid till PÅ-läge.
3. Släpp parkeringsbromsen.
4. Höj PTO-brytaren för att aktivera bladen.
5. Lyft av sätet snabbt, men stanna kvar på klipparen.

Bladen ska stängas av inom 5 sekunder. Om de inte gör det ska du kontakta kundtjänsten. Använd inte gräsklipparen förrän säkerhetsspärssystemet har reparerats.

## 4.2 MANÖVRERA MASKINEN

### 4.2.1 STARTA MASKINEN

#### i NOTERA

Se till att det inte finns förbipasserande innan du använder gräsklipparen. Om någon börjar gå på klippområdet, stanna omedelbart och börja inte klippa igen förrän personen lämnat området.

1. Höj däck till dess högsta läge.
2. Sätt i startnyckeln och vrid till PÅ-läge.
3. Tryck riktningsslaget till neutralläge (N).
4. Släpp parkeringsbromsen.
5. Dra upp PTO-brytaren för att börja klippa.
6. Placera styrspaken i framåtläge (D) och kör till önskad klipplats.

#### i NOTERA

Var försiktig när du kör över grusvägar eller uppfarter. Innan du korsar sådana vägar, koppla ur knivarna och höj däck till högsta läge för att minimera risken för rikoschetter. Kör långsamt för att inte tappa grepp och kontroll.

#### i NOTERA

Försök inte ändra körriktning medan gräsklipparen är i rörelse. Stanna alltid helt innan du ändrar klipparens riktning.

### 4.2.2 STÄLL IN FARTHÅLLAREN

1. När du kör klipparen framåt trycker du på gaspedalen tills du når önskad hastighet.

2. Tryck på farthållarknappen och håll nere i minst 0,4 sekunder.
3. Släpp gaspedalen. Gräsklipparen bör nu fortsätta köra i samma hastighet.

## 4.2.3 SLÄPP FARTHÅLLAREN

1. Tryck lätt på gaspedalen, trampa ner bromspedalen.

## 4.2.4 ANSÄTT PARKERINGSBROMSEN

1. Trampa ner och håll nere bromspedalen.
2. Dra upp parkeringsbromshandtaget och håll kvar.
3. Släpp bromspedalen.
4. Släpp parkeringsbromsen.

### ▲ VARNING

Lämna aldrig gräsklipparen utan uppsikt när motorn är igång. Kontrollera att parkeringsbromsen är åtdragen och nyckeln har tagits ur. Underlåtenhet att dra åt parkeringsbromsen kan göra att gräsklipparen rör på sig, och om du lämnar nyckeln i kan obehöriga använda den vilket kan resultera i allvarliga personskador.

## 4.2.5 SLÄPP PARKERINGSBROMSEN

1. Trampa ned bromspedalen för att släppa parkeringsbromsen.

## 4.2.6 STÄNGA AV MASKINEN

1. Placera maskinen på ett plant och jämnt underlag.
2. Dra åt parkeringsbromsen.
3. Tryck ned PTO-brytaren för att stänga av bladen.
4. Vrid startnyckeln till AV-läge.

## 4.2.7 KLIPPNING I BACKLÄGE

Se figur 13

- Tryck ned bromspedalen och låt gräsklipparen stanna helt.
- Tryck ned PTO-brytaren för att stänga av bladen.
- Ställ in riktningssomkopplaren i backläge (R).
- Tryck på knappen för klippning i backläge.
- Lyft upp PTO-brytaren, tryck långsamt ned gaspedalen och du kan nu fortsätta klippa i backläge.

### ▲ VARNING

Kör inte i backväxel om det inte är absolut nödvändigt. Titta alltid nedåt och bakåt före och medan du backar för att se till att inga barn, förbipasserande eller husdjur går på gräset som ska klippas. Kom ihåg att en tiondels sekunds oaksamhet räcker för att vålla allvarliga skador eller dödsfall.

### ▲ VARNING

Var särskilt försiktig innan och när du backar med packboxen (medföljer ej), eftersom den kan begränsa sikten. Titta alltid noga bakom och nedåt efter små barn, förbipasserande och husdjur och förflytta gräsklipparen långsamt för att förhindra olyckor som kan orsaka dödsfall eller allvarliga personskador.

## 4.2.8 ANVÄND USB-PORTEN

Se figur 14

USB-laddningsporten ger din mobiltelefon, MP3-spelare eller andra USB-enheter en laddningseffekt på 5 volt DC vid upp till 2,1 ampere. Se bruksanvisningen för din enhet för specifika laddningskrav.

Anslut ena änden av en USB-kabel (medföljer ej) till din enhet och den andra änden till USB-laddningsporten på gräsklipparen för att börja ladda enheten.

# Svenska

## i NOTERA

Försök att ladda enheter på mer än 2,1 ampere kan skada USB-laddningsporten och/eller gräsklipparen.

## i NOTERA

USB-porten får endast ström när maskinen startar.

## ▲ VARNING

Använd aldrig hörlurar eller någon annan elektronisk enhet, t ex en smart telefon eller surfplatta, när du använder gräsklipparen. Om operatören blir distraherad kan det orsaka dödsfall eller allvarliga personskador på operatören eller förbipasserande.

### 4.2.9 TIPS VID ANVÄNDNING

Se figur 15

- Håll bladen vassa.
- Se till att gräsmattan är fri från stenar, pinnar, ledningar, leksaker, nötter, trädgrenar och andra föremål som kan skada gräsklipparens blad eller motor. Klipp inte över fastighetspålar eller andra metallstolpar. Dessa föremål kan skada bladet eller slungas iväg av gräsklipparen och orsaka allvarliga personskador på operatören och andra.
- För friska gräsmattor, klipp alltid bort en tredjedel eller mindre av gräsets totala längd.
- När du klipper stora ytor, börja med att svänga åt höger så att gräsklippen slungas bort från buskar, staket, uppfarter osv. Efter ett eller två varv, klipp i motsatt riktning, gör vänstersvängar tills du är klar.
- Klipp så att gräsklippen matas ut i riktning mot gräsmattan som redan har klippts.
- När du klipper tjockt gräs ska du sänka hastigheten för ännu effektivare klippning och en korrekt utmatning av gräsklippen.
- Klipp bara cirka 38 mm (1,5) av grässtrået **under normal drift**. Det är inte rekommenderat att klippa mer än så om inte gräset är glesat eller om det inte är i slutet av säsongen.
- Klipp inte blött gräs. Annars fastnar det på undersidan av däck och kan förhindra korrekt insamling eller marktäckning av gräsklipp.
- Färskt eller tjockt gräs kan kräva ett smalare klipp eller en högre klipphöjd.
- Håll däck och sidoutmataren rena. Ta bort gräsklipp, löv, smuts och annat ackumulerat skräp före och efter varje användning. Spruta inte med en trädgårdsslang vid rengöring.

## i NOTERA

Stanna alltid gräsklipparen, låt knivarna stanna helt och ta bort startnyckeln innan du rengör under gräsklipparen.

### 4.2.10 ANVÄNDNING I LUTNING

Se figur 16

Lutningar är en bidragande faktor till förlorad kontroll över maskinen och vältolyckor, som kan leda till allvariga skador eller dödsfall. Var särskilt uppmärksam vid användning i lutningar. Kör inte maskinen i en lutning om du inte kan backa upp för lutningen eller om det inte känns bra.

- Kör enligt tillverkarens rekommenderade riktning i sluttningar. Var försiktig när du kör nära avsläpp.
- Under inga förhållanden får maskinen användas där dragkraft, styrning eller stabilitet inte kan garanteras. Däcken kan glida även om hjulen står stilla.
- Se till att alltid ha växeln i när du kör nedför sluttningar. Rulla inte nedför sluttningar.
- Kör upp och ner för lutningar, inte i sidled.
- Se upp för hål, hjulspår, gupp, stenar eller andra dolda föremål. Ojämn terräng kan välta maskinen. Långt gräs kan dölja hinder.
- Klipp inte nära diken eller upphöjningar. Maskinen kan plötsligt välta om ett hjul kör över en kant eller om en kant rasar.
- Välj en låg körhastighet så att du inte behöver stanna eller vända i en lutning.
- Kör inte på vått gräs. Hjulen kan förlora dragkraft.

- Undvik att starta, stoppa eller vända i en backe. Om däckan förlorar friktion ska du koppla bort bladet/bladen och fortsätta långsamt rakt nedför lutningen.
- Förflytta dig långsamt och gradvis. Gör inga plötsliga förändringar i hastighet eller riktning, eftersom det kan få maskinen att välta.
- Var särskilt försiktig när du använder maskinen med tillbehör, eftersom de kan påverka maskinens stabilitet. Använd inte i branta lutningar.
- Om du använder packboxen, vara mycket försiktig och kör gräsklipparen långsamt i slutningar, eftersom boxen kan förändra gräsklipparens stabilitet.
- Använd alltid bromsarna när du kör nedför slutningar. Låt inte gräsklipparen rulla nedför i neutralläge.

## 5 ELEKTRISKT SYSTEM

### 5.1 ELSYSTEMSÄKERHET

- Ta ut nyckel och batterier och läs bruksanvisningen innan du justerar eller reparerar enheten.
- Ta alltid ut nyckel och batterier innan du arbetar med denna enhet.
- Koppla alltid bort nyckeln och batterierna under transport.
- Se till att utrustningen alltid är fri från klippt gräs, löv och annat skräp. Rengör INTE enheten genom att spruta vatten på den. Använd enbart tryckluft. Bär lämpliga ögon- och hörselskydd när du rengör enheten.
- Bär alltid skyddsglasögon och skyddskläder när du befinner dig i närheten av batteriet. Använd isolerade verktyg.
- Rengör batterifacket, drivmotorrummet, klippardäcket, sätet osv. Använd inte lösningsmedel eller rengöringsmedel med slipmedel.
- När nyckeln är i PÅ-läge (PTO) kan bladen aktiveras om På-/Av-brytaren (PTO) aktiveras trots att drivmotorn inte är igång. Se till att inga andra personer befinner sig i närheten när du aktiverar däckbladet med brytaren.
- Alla ytor avsedda för underhåll och förvaring ska vara välventilerade och överensstämna med tillämpliga riktlinjer för att undvika brandfaror.
- Exponera aldrig batterierna för lågor, gnistor eller rök.
- Håll batterierna utom räckhåll för barn.
- Se alltid till att skärmar, höljen och skydd är ordentligt monterade. Reparera eller byt ut dem omedelbart om de är skadade. Modifiera eller ta aldrig bort några säkerhetsanordningar.

### 5.2 INFORMATION OM DET ELEKTRISKA SYSTEMET

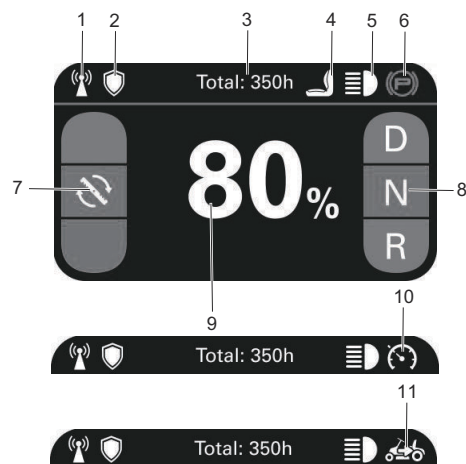
Cramer-gräsklipparen har ett 82 V-elsystem. Det består av följande komponenter:

1. Blad- och drivenhet (1)
2. Bladmotor (2)
3. Accelerator (1)
4. Digital display (1)
5. Hjulmotor (1)

### 6. Batterifack (1)




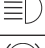

### 5.3 DIGITAL DISPLAY




Den digitala displayen på kontrollpanelen tillhandahåller information om det elektriska systemet till operatören. Den ger detaljerad information i form av mönster, koder och siffror.



SV

# Svenska

#	Namn	Funktion
1		4G GPS-signal
2		GreenShield
3	Totalt: 350h	Fordonets arbetstid
4		Sätetsbrytaren är stängd.
5		LED-lampa
6		Parkeringsbromsen är ilagd.

#	Namn	Funktion
7		Klingans hastighet
8	D/N/R	Körriktning: Framåt (D), Neutral (N) och Back (R).
9	80 %	Batteri procent
10		Farthållare
11		Klippning i backläge är aktiverad.

## 6 FEL

CANBUS-systemet kommer att vidta åtgärder för att skydda användaren och maskinen när det upptäcker ett problem. När den stänger av maskinen eller en komponent kommer den att indikera att ett fel har inträffat och felet kommer att visas på den digitala displayen. Alla elektriska fel har en bokstavskod åtföljd av en siffra. Den första bokstaven beskriver systemet som orsakade felet enligt detta diagram:

Namn	Betyder
T	Styrenhet och motor
PMU	Strömenhet (i batterifacket)
ML	Vänster bladmotor styrenhet
MR	Höger bladmotor styrenhet
V	Fordon



## 6.1 FELKOD

Felkod	Beskrivning	Lösning
T11	Överbelastning	Batterispänningen är för hög. Starta om strömförsörjningen.
T12	Underspänning	Batterispänningen är för låg. Ladda batteripaketet före användning.
T13	Självttestfel på styrenheten	Om du råkar ut för detta problem ska du kontakta din distributör.
T14	Drivmotorn har stannat	Kontrollera om drivhjulen har fastnat och starta om strömmen.
T15	Motorkodningsfel	Kontrollera att Hall-effektkontakten på drivkontrollen är korrekt ansluten och starta sedan om strömmen.
T16	Fel på styrenhetens drivrutin	Om du råkar ut för detta problem ska du kontakta din distributör.
T17	Överhettad styrenhetsdel	Reglaget överhettar. Vänta tills reglaget har svalnat och starta sedan om.
T18	Drivmotorn överhettad	Motorn överhettar. Vänta tills motorn har svalnat och starta sedan om.
T21	Onormal temperatursensor för drivmotorn	Kontrollera kablarna till temperatursensorn efter fel.
T22	Drivmotordel av styrenhet hårdvara överström	För hög belastning. Starta om strömförsörjningen.
T23	Förladdningsfel	Starta om strömförsörjningen.
T25	Drivmotordel programvara överström	För hög belastning. Starta om strömförsörjningen.
T26	Drivmotordel MOS-fel	Om du råkar ut för detta problem ska du kontakta din distributör.
T27	Motor fasförlust	Kontrollera att motorkablarna till drivenheten är korrekt anslutna och starta sedan om strömmen.
T28	Överhettad styrenhet	Reglaget överhettar. Vänta tills reglaget har svalnat och starta sedan om.
V14	Klippning i backläge sekvensfel	Tryck på knappen för klippning i backläge.
V15	Självttestfel på fordon	<ol style="list-style-type: none"> <li>Innan du startar fordonet ska du kontrollera att bromsen är i inkopplat läge.</li> <li>Innan du startar fordonet ska du ställa in bladbrytaren i avstängt läge och kontrollera att knivbrytaren är korrekt ansluten.</li> <li>Innan du startar fordonet, kontrollera att FNR-växelspaken är i N-läge.</li> <li>Kontrollera att kontakten under sitsen är ordentligt ansluten.</li> <li>Tryck inte på farthållarknappen när du startar fordonet.</li> <li>Trampa inte på gaspedalen när du startar fordonet.</li> </ol>
V16	Driftsekvensfel	Återställ gaspedalen och bladomkopplaren till utgångsläget.
V17	SPI-kommunikationsfel	Starta om strömförsörjningen.
V18	Fel på batterifack (PMU).	Kontrollera att acceleratorablarna är korrekt anslutna och starta sedan om.

# Svenska

Felkod	Beskrivning	Lösning
V22	Onormal bladsignal	Kontrollera att bladets startomkopplare är korrekt ansluten och återställ sedan strömbrytaren till sitt ursprungliga läge.
V21	PMU CAN-kommunikationsfel	Kommunikationen med batterifacket tog för lång tid. Starta om strömförsörjningen.
V23	Sätsebrytare onormal	Kontrollera att kontakten under sätet är korrekt ansluten och starta sedan om.
ML3	Vänster blad mjukvara överström	Kontrollera klippbelastningen och starta om.
ML4	Vänster blad har stannat	Kontrollera klippbelastningen och ställ in knivbrytaren till utgångsläget.
ML6	Vänster blad MOS-fel	Om du räkar ut för detta problem ska du kontakta din distributör.
ML7	Fasförlust vänster bladmotor	Kontrollera att bladreglaget och motorkablarna är korrekt anslutna och starta om.
ML9	Onormal temperatur på vänster bladstyrenhet	Reglaget överhettar. Vänta tills reglaget har svalnat och starta sedan om.
ML14	Vänster blad hårdvara överström	Kontrollera klippbelastningen och starta om.
ML15	Det gick inte att starta vänster blad	Kontrollera klippbelastningen och ställ in knivbrytaren till utgångsläget.
MR3	Motor låghastighetsskydd	Kontrollera klippbelastningen och starta om.
MR4	Motor överhastighetsskydd	Kontrollera klippbelastningen och ställ in knivbrytaren till utgångsläget.
MR6	Motor Hall-sensorfel	Om du räkar ut för detta problem ska du kontakta din distributör.
MR7	Kontroll fasförlust	Kontrollera att bladreglaget och motorkablarna är korrekt anslutna och starta om.
MR9	MOSFET fel på öppen krets	Reglaget överhettar. Vänta tills reglaget har svalnat och starta sedan om.
MR14	Styrenhetens underspänning	Kontrollera klippbelastningen och starta om.
MR15	Styrenhetens överspänning	Kontrollera klippbelastningen och ställ in knivbrytaren till utgångsläget.
PMU10	Batteripaket öppen kretsfel	Temperaturen i batterifacket och batteriet är för låg. Använd maskinen i lämplig temperatur och starta om.
PMU11	PMU kritisk fel	Batterifacket och batteriets temperatur är för högt. Vänta tills batteriet har svalnat och starta sedan om.
PMU12	PMU sekundärt fel	Ett kritiskt fel i batterifacket hindrade bladsystemet från att starta. Starta om och försök igen.
PMU13	Inget batteripaket tillgängligt	Kontrollera att du använder korrekt batteripaket och starta därefter om.
PMU	Otillräckligt batteripaket. Funktionen kan vara begränsad.	Sätt i fler batteripaket.
n/a	Display kommunikationsfel	Kontrollera bildskärmens anslutande delar och CAN-nätverk.
	Felaktig visning vald	Välj rätt display för din fordonmodell

## 7 UNDERHÅLL

### 7.1 UNDERHÅLL AV KLIPPBLAD

Kontrollera klippbladen dagligen. De är avgörande för strömförbrukning och resultat. Håll dem vassa – ett trubbigt blad sliter av snarare än klipper gräset, vilket lämnar topparna bruna inom några timmar. Ett trubbigt blad förbrukar mer ström. Byt ut böjda, krökta eller trasiga blad.

#### ▲ VARNING

Försök aldrig att rätta ut ett böjt blad genom uppvärmning. Svetsa heller aldrig ett sprucket eller brustet blad, eftersom det kan gå sönder och orsaka allvarliga skador. Byt ut slitna eller skadade blad.

#### ▲ VARNING

Arbeta aldrig med bladen när nyckeln sitter i tändningslåset. Vrid nyckeln till Av-läge och ta ut batteriet ur maskinen. Använd hjulblock när du arbetar under gräsklipparen. Bär handskar när du hanterar bladen. Kontrollera alltid bladet avseende skada om maskinen slår i en sten, gren eller andra föremål!

#### ▲ VARNING - LIVSFARA

Du kan slipa bladet med en fil. Kontrollera bladen avseende balans efter slipning. Du kan köpa ett balanseringsverktyg i de flesta järnaffärer, eller så kan du balansera bladet genom att placera det på en inverterad håltagare eller 12,7 mm bult. Bladet ska inte luta. Bladet ska inte vackla när det snurrar långsamt. Justera bladet om det är obalanserat innan du monterar det igen. Lägg bladet på en plan yta och kontrollera det avseende deformation. Byt ut deformerade blad.

#### ▲ VARNING

- Bladseglet (krökt del) ska vara riktat uppåt mot insidan av däckets.
- När du monterar bladen ska du rotera dem efter installationen för att säkerställa att bladeggen inte vidrör varandra eller sidorna på gräsklipparen.
- Om du inte drar åt bulten till rätt vridmoment kan bladet lossna, vilket kan leda till allvarliga personskador.
- Bladen är vassa. Bär handskar och var extra försiktig när du utför service.

SV

#### 7.1.1 BYTA UT KNIVEN

Se figur 17

1. Stanna motorn, ta ur startnyckeln och dra åt parkeringsbromsen.
2. Höj höjden på däckets till dess högsta läge för att komma åt bladen.

#### i NOTERA

Vid behov, höj klipparen genom att placera den på en hiss eller använd en domkraft/domkrafter, eller ta bort däckets enligt beskrivningen i föregående avsnitt för att komma åt bladen.

#### ▲ VARNING

Om du höjer gräsklipparen för att komma åt bladen ska du se till att gräsklipparen är ordentligt säkrad och att parkeringsbromsen är åtdragen innan du fortsätter. Om gräsklipparen inte säkras ordentligt kan den falla, vilket kan leda till dödsfall eller allvarliga personskador.

3. Kila in en träbit mellan bladet och klippdäcket för att förhindra att bladet vrider sig.
4. Lossa bladmuttern genom att vrida muttern (sett från klipparens undersida) med en 16 mm skiftnyckel eller hylsa (medföljer ej).
5. Ta bort bladmuttern, distansen, bladisolatorn och bladet.
6. Trä bladmuttern över axeln och dra åt med fingrarna.
7. Vrid bladmuttern medurs till rätt vridmoment med en vridmomentnyckel (medföljer ej) för att säkerställa att bulten är korrekt åtdragen. Det rekommenderade vridmomentet för muttern är 90 N.m~100N.m (66~74 fotpund).

# Svenska

## ▲ VARNING

Se till att bladet sitter ordentligt och att bladmuttern är åtdragen enligt specifikationerna för vridmoment ovan. Underlåtenhet att fästa bladet korrekt kan göra att det lossnar och orsaka allvarliga personskador.

8. Upprepa proceduren med det andra bladet vid behov.

## i NOTERA

Se till att alla delar byts ut i exakt samma ordning som de togs bort.

## 7.2 BYTE AV STRÅLKASTARE

Se figur 18

Ring kundtjänst eller besök vår hemsida online för att beställa en ny strålkastare.

1. Parkera gräsklipparen på ett plant underlag och dra åt parkeringsbromsen.
2. Stanna motorn och ta ur startnyckeln.
3. Ta bort och lägg åt sidan sexkantsskruven och den platta brickan som håller klipparens golvpanel på plats.
4. Lyft golvpanelen något för att komma åt de två sexkantsskruvarna och de platta brickorna som håller fast strålkastaren på plats. Ta bort skruvar och brickor och lägg åt sidan.
5. Koppla ur den gamla strålkastaren och kassera.
6. Sätt i den nya strålkastaren och sätt tillbaka brickor och skruvar. Dra åt ordentligt.
7. Sänk golvpanelen och sätt i brickan och skruven igen.

## 7.3 DÄCK

Det är viktigt att alla däck har rätt lufttryck. De rekommenderade trycken är:

## i NOTERA

Mät eller justera däcktryck när däcken är kalla.

Drivhjul	8 psi
Främre svängbara hjul	24 psi

## i NOTERA

Kontrollera däcken varje dag. Byt ut skadade däck omedelbart.

## ▲ VARNING

Kontrollera däcktrycket under pumpning. För mycket luft i däck kan få däck att explodera, vilket kan leda till allvarliga personskador.

## 7.4 SMÖRJNING

Se figur 19

Fyll på olja före användning.

Oljetyp	SAE85W-140
Oljekapacitet	180 ml

Kontakta din Cramer-återförsäljare för ny smörjning.

## i NOTERA

Byt ut växellådans olja efter att du använt maskinen i 50 timmar för första gången, byt sedan ut oljan var 200:e timme.

## 7.5 VRIDMOMENTSVÄRDEN

### ▲ VARNING

Se alltid till att dra åt hjulmuttrarna och bladspindelbultarna ordentligt. Om du inte drar åt fästelementen till rätt vridmoment kan ett hjul eller bladet lossna, vilket kan leda till allvariga material- eller personsador.

Se vridmomentsvärdena nedan:

Del	Fotpund	Nm
Hjulmutter	89	120
Bladspindelbult	66	90

**Enbart hjulmuttrar** – vi rekommenderar att du kontrollerar dessa efter de första två drifttimmarna, och sedan var 100:e timme samt efter borttagning inför reparation eller bytesjobb.

## 7.6 UNDERHÅLL AV BATTERIPAKET

Din Cramer-gräsklippare har ett batteripaket som håller i många år vid lämpligt underhåll. Instruktioner för korrekt underhåll:

- Ladda alltid batterierna efter varje användning.
- Ladda batteriet så snart som möjligt när ett batteripaket är helt urladdat och avstängt. Överladdning av batteripaketet förkortar hållbarheten och kan skada batteriet permanent. Du behöver inte ladda batteriet fullt; det kan räcka med så lite som 5–10 minuter. Ladda med fördel upp batteriet inom 24 timmar.
- Avlägsna gräs, smuts och skräp från batteriterminalerna och batteriet.
- Ladda batterierna inomhus på en välventilerad och torr plats, borta från gnistor eller flammor. Utsätt aldrig batteripaketet för regn, ånga eller vätska.
- Använd enbart litiumbatterier från Cramer.
- Vidrör inte den oisolerade delen på laddaren (terminalstift) eller kontakten.
- Använd inte defekta kablar eller sladdar. Byt ut defekta kablar och sladdar omedelbart.
- För långtidsförvaring förvara batteripaketet i -20–45 °C under en månad, och 0–35 °C under två till tolv månader.
- Driftmiljön för batteripaketet är -20–55 °C för urladdning och 0–55 °C för laddning.

## 7.7 UNDERHÅLL AV BATTERIFACKFILTER

Byt ut batterifackets filter var 200:e timme.

## 7.8 SERVICE

### i VIKTIGT

Utför ingen justering, rengöring eller reparation förrän gräsklipparen är helt stillastående. Enbart utbildad underhållspersonal bör utföra reparationer eller underhåll som innefattar ström. Läs och följ säkerhetsvarningarna på framsidan av manualen.

### i VIKTIGT

Enbart utbildad underhållspersonal bör utföra reparationer eller underhåll som innefattar ström.

- Parkera gräsklipparen på jämn mark. Se till att styrspakarna är i friläge, och att PTO-brytaren är i AV-läget. Lyft däck, vrid nyckeln till AV-läge, ta ur nyckeln från strömbrytaren och ta bort batteripaketet från batterifacket under sätet.
- Enbart utbildade servicetekniker får utföra underhåll som kräver borttagning av skydd.
- Använd en pinne eller ett liknande instrument för att rengöra undersidan av gräsklipparen, utan att några kroppsdelar – särskilt inte armar och händer – hamnar under den.
- Håll maskinen ren och avlägsna ansamlad skräp och gräs.
- Håll batterifacket, däck och operatörsplatsen rena från skräp, gräs och annan smuts.

- Rengör batterifacket, drivmotorrummet, klippardäcket, sätet osv. Rengör enbart med tryckluft. Använd INTE vatten, lösningsmedel eller rengöringsmedel med slipmedel.
- Bär alltid lämpligt ögonskydd när du servar batterierna, slipar bladen och tar bort ansamlad smuts. Försök aldrig att justera eller reparera drivsystemet i gräsklipparen, däcket eller andra tillbehör när drivsystemet är igång. Enbart utbildad underhållspersonal bör utföra reparationer eller underhåll som innefattar ström.
- Använd alltid domkrafter för arbete under maskinen eller en tillsats. Kontrollera att maskinen är stabil när du har placerat den på domkrafterna.
- Domkrafterna ska förhindra att maskinen kan röra sig när drivsystemet är igång och hjulen roterar. Använd bara certifierade domkrafter. Använd lämpliga domkrafter som kan bära min. 907,2 kg. Använd enbart par. Följ instruktionerna som medföljer domkrafterna.
- Vidrör inte heta maskindelar.
- Kontrollera att muttrar och bultar, särskilt bladbultarna, är korrekta åtdragna. Håll utrustningen i gott skick.
- Ändra aldrig säkerhetsanordningarna. Kontrollera korrekt drift regelbundet.
- Vrid nyckeln till AV-läge och innan rengöring av utkastöppningen.
- Rensa aldrig utmatningstratten när maskinen är igång. Vrid nyckeln till AV-läge och se till att bladen har stannat innan rengöring. Använd en pinne för att rensa utmatningsrännan om den är tilltäppt. Använd aldrig händerna!
- Stoppa enheten och bladen innan du rensar utmatningstratten. Komponenterna i gräsuppsamlingsystemet är slitagedelar som kan exponera rörliga delar och som inte alltid kan hindra maskinen från att slunga ut föremål. Kontrollera komponenterna regelbundet och byt vid behov ut dem mot delar som tillverkaren har rekommenderat.
- Var försiktig när du arbetar under däcket, eftersom bladen är extremt vassa. Bär handskar och var extra försiktig när du utför service.
- Använd bara originaldelar från Cramer.
- Plocka alltid ur batterierna vid transport av enheten. Se till att utrustningen alltid är fri från klippt gräs, löv och annat skräp.
- Kontrollera bromsfunktionen regelbundet. Justera och serva efter behov.
- Underhåll eller byt ut säkerhets- och instruktionsetiketter vid behov.
- Gräsklipparen får endast repareras av kvalificerad reparatör och med originalreservdelar. Detta garanterar att gräsklipparens säkerhet bibehålls.
- Ladda batterierna endast i de laddare som tillverkaren rekommenderat. Om en laddare som är avsedd för en viss typ av batterier används för andra batterityper kan detta orsaka bränder.

## 8 TRANSPORT OCH FÖRVARING

### 8.1 FRAKT

#### ▲ VARNING

Var extra försiktig när du lastar eller lastar av maskinen på ett släp. Tryck på låghastighetsknappen och manövrera försiktigt körspakarna efter behov för att styra hastigheten. Backa alltid upp på släpet vid frakt. När du lastar eller lastar av gräsklipparen, överskrid inte den maximala rekommenderade arbetsvinkeln på 15°. Underlåtenhet att följa dessa instruktioner kan leda till att operatören tappar kontroll över gräsklipparen och kan orsaka dödsfall, allvarliga personskador eller skador på egendom.

#### ▲ VARNING

Var extra försiktig när du lastar eller lastar av gräsklipparen på ett släp. Se till att däcket är höjt till dess högsta läge så att det inte fastnar på rampen. Hjulen på gräsklipparen kan åka av rampen eller släpet så att gräsklipparen svänger eller välter vilket kan leda till klämskador som kan orsaka dödsfall eller allvarliga personskador.

1. Parkera gräsklipparen på jämn mark.
2. Höj däcket till dess högsta läge.
3. Placera och säkra rampen på släpvagnen enligt tillverkarens instruktioner.

#### i NOTERA

Vi rekommenderar att du använder en lastramp med full bredd som är minst 30 cm (1 fot) bredare än klipparen för att undvika att hjulen på gräsklipparen åker av sidan av rampen.

4. Backa sakta klipparen upp på rampen och in i släpet.
5. Sänk klippdäcket helt.
6. Dra åt parkeringsbromsen.
7. Stäng av gräsklipparen och ta ur nyckeln.
8. Fäst gräsklipparen med remmar eller kablar för att förhindra rörelse under transport vid behov.

### ▲ VARNING

Undvik att maskinen oavsiktligt startar eller plötsliga rörelser som kan resultera i allvarliga personskador genom att alltid ta ur startnyckeln och dra åt parkeringsbromsen vid frakt av gräsklipparen.

## 8.2 RENGÖRING OCH FÖRVARING

### 8.2.1 RENGÖRA MASKINEN

- Avlägsna gräs och löv på eller runt motorhöljet (använd inte vatten från en högtryckspistol för att spola av motorn).
- Rengör gräsklipparen ibland med en torr duk.
- Om skräp ansamlas på undersidan av gräsklipparen under användning ska du stoppa motorn, stänga av maskinen och skrapa rent den med ett lämpligt verktyg.

### 8.2.2 RENGÖRA DÄCKET

Se figur 20

- Dra åt parkeringsbromsen i parkeringsspåren.
- Justera däcket höjd till dess lägsta läge.
- Fäst den medföljande rengöringsportens snabbkoppling till trädgårdsslangen.
- Fäst trädgårdsslangen med snabbkopplingen för att rengöra däckporten. Rengöringsporten sitter på vänster sida av däcket.
- Sätt på vattnet.
- Dra i PTO-brytaren för att starta gräsklipparens blad och justera knivhastigheten till högsta hastighet.
- Spola vatten under däcket i ungefär en minut.
- Koppla ur bladen genom att trycka PTO-brytaren nedåt.
- Stäng av vattnet och koppla loss trädgårdsslangen och snabbkopplingen från rengöringsporten.
- Koppla loss snabbkopplingen från trädgårdsslangen och förvara den för framtida bruk.
- Stäng av gräsklipparen helt.

### 8.2.3 FÖRVARA MASKINEN

Vidta följande steg för att förbereda maskinen inför förvaring.

- Rengör maskinen enligt föregående avsnitt.
- Inspektera bladet och byt ut det eller slipa det vid behov (se avsnittet Underhåll).
- Förvara inte maskinen intill frätande material, till exempel gödselmedel eller bergsalt.
- Förvara maskinen utom räckhåll för barn.
- Täck inte över maskinen med en presenning. Presenningar stänger inne fukt runt maskinen, vilket bildar rost och korrosion.
- Kontrollera avseende skada eller skadade delar, och beställ nya från din återförsäljare vid behov.
- Kontakta ett servicecenter för att smörja maskinen.
- Ladda batterierna helt.
- Töm inte däcken på luft.
- Förvara maskinen på en välventilerad, ren och torr plats, eftersom batteriladdaren inte är konstruerad för användning i fuktiga miljöer.
  - Batterierna ska alltid vara fulladdade. Det är särskilt viktigt att förhindra batteriskada när temperaturen är under 0 °C (32 °F).
  - Koppla in laddaradaptorn i laddningsporten och batterierna enligt avsnittet Laddningsadapter under Elektriskt system.

- Sätt i laddaren i ett lämpligt uttag. Se Batteriladdare, Batteriladdning och Laddningsrekommendationer i avsnittet Elektriskt system för mer information om att använda laddaren och ladda batterierna.
- Genom att ladda batteriet fullt direkt efter varje användning kan du maximera hållbarheten.

## 8.2.4 FÖRBEREDA FÖR ANVÄNDNING EFTER FÖRVARING

Följande steg bör vidtas innan du använder gräsklipparen efter förvaring:

- Ladda batterierna helt.
- Kontrollera däcktrycket och pumpa däcken vid behov.
- Kör klipparen en kort runda och kontrollera alla system och komponenter för att säkerställa att de fungerar korrekt.



## 9 FELSÖKNING

PROBLEM	MÖJLIG ORSAK	LÖSNING
Fordonet rör sig inte.	Batterifacket är inte isatt i batteripaketet eller så är det fel sorts Cramer-batteripaket.	Säkerställ normal drift av fordonet genom att placera minst 1 Cramer av de avsedda batteripaketprodukterna i batterifacket.
	Batteripacket är inte laddat.	Kontrollera batteripaketets ström.
	Ingen sitter på sätet eller sätesbrytare har inte stängts.	Se till att föraren sitter på sätet.
	Parkeringsbromsen är ilagd.	Se till att du kopplar ur parkeringsbromsen helt, så att hjulen kan rotera fritt.
	Batterifacket är i viloläge.	Vrid nyckelomkopplaren till AV-växeln och vänta mer än 5 sekunder innan du startar om maskinen.
Oväntat haveri under körning	Batteriet är inte laddat.	Säkerställ normal drift av hela fordonet genom att placera minst 1 stycke av avsedda Cramer-batteripaketprodukter i batterifacket och se till att batteripaketet har ström.
	Ojämnta och gropiga vägar, vilket resulterar i att operatörens närvarobrytare kopplas bort.	Dra åt parkeringsbromsen och starta om maskinen och tryck på styrspaken.
	Fel på gaspedal.	Kontakta Cramer-kundservicepersonal.
	Drivstyrenhet startade ej.	Kontakta Cramer kundservicepersonal.
Bladet fungerar inte efter att ha dragit i PTO-brytaren.	Batterifacket sitter inte i batteripaketet som specificeras av Cramer	Säkerställ normal drift av hela fordonet genom att placera minst 1 stycke av avsedda Cramer-batteripaketprodukter i batterifacket och se till att batteripaketet har ström.
	Batterieffekten är lägre än 5 %.	Kontrollera batterieffekten. Ladda batteriet vid låg batterinivå.
	Sätesbrytaren är inte stängd.	Se till att föraren sitter på sätet.
	Bladomkopplaren (PTO) är inte i utgångsläge innan strömmen slås på.	Tryck på PTO-brytaren och dra upp det igen.
	Blockering av bladmotor eller annat funktionsskydd.	Kontrollera att inte ogräs och andra främmande föremål har fastnat i anslutningen mellan bladet och motorn för att säkerställa jämn bladrotation. Vi rekommenderar att du reser däcket och startar bladet innan du justerar däcket till önskad växel.
	Fel på gångreglage.	Se till att inget annat fel visas på displayen.
Bladen stannar under gräs-klippning.	Fel på bladreglage.	Kontrollera felkoden som visas på displayen.
	Bladmotor överbelastning.	Rengör insidan av däcket, se till att det inte finns någon onormal bladrotation, tryck på PTO-brytaren, starta om maskinen och minska bladbelastningen, antingen genom att höja skärdäcket eller minska körhastigheten.
	Batteripaketets temperatur är för hög.	Använd inte omedelbart efter laddning, annars kan det utlösa batteripaketets temperaturskyddsfel.
	Batterieffekten är lägre än 5 %.	Lågt batteripaket, ladda batteriet.
	Bladet stöter på ett främmande föremål, vilket orsakar ett plötsligt stopp.	Vrid startnyckeln till AV-läge och vänta mer än 5 sekunder innan du startar om maskinen.
	Fel på drivstyrenhet.	Kontrollera felkoden som visas på displayen.

PROBLEM	MÖJLIG ORSAK	LÖSNING
Gräsklipparen klipper gräset ojämnt med väldigt stor höjdskillnad.	Bladet är slött.	Polera bladet enligt bruksanvisningen.
	Bladet är böjt.	Byt ut det böjda bladet i enlighet med instruktionerna och se till att ha lämplig skyddsutrustning.
	Däcket är inte platt.	Se till att däcket sitter jämnt enligt instruktionerna för att säkerställa att vänster och höger sida har samma höjd.
Den faktiska klipphöjden överensstämmer inte med den markerade valda klipphöjden.	Lösa fästbultar på däcket.	Justera däckets fästbultar för att se till att det är korrekt installerat. Obs! Däcket måste jämnas ut igen efter justering av monteringsbultarna.
	Däcket är allvarligt slitet eller skadat.	Byta ut ett däck.
Onormal fragmentering	Gräsmattan är för blöt.	Kontrollera skicket på gräsmattan innan du klipper. Om gräset är för blött ska du vänta tills det torkar i solskenet eller blåsten, låt daggen avdunsta innan du klipper.
	Gräsklipparen är inställd på att klippa för mycket gräs under en körning.	Om gräset är för tätt och långt, höj däcket och undvik tjockt gräs så gott det går.
Överdrivna maskinvibrationer	Bladen sitter löst.	Polera bladet enligt bruksanvisningen.
	Bladen är böjda.	Byt ut det böjda bladet, se till att bladet placeras i enlighet med instruktionerna och bär skyddshandskar.
	Ojämnt däck.	Se till att däcket sitter jämnt enligt instruktionerna för att säkerställa att vänster och höger sida har samma höjd.
	Löst däck.	Låst fast bultarna på däcket.
	Gräsklipparen är inställd på att klippa för mycket gräs under en körning.	Om gräset är för tätt och långt, höj däcket och undvik tjockt gräs så gott det går.
Gräs, löv eller skräp kvar på marken efter klippning.	Gräsklipparen är inställd på att klippa för mycket gräs under en körning.	Om gräset är för tätt och långt, höj däcket, om gräset är längre än 15 cm, klipp i två klippcykler för att uppnå full klippeffekt, försök att undvika att klippa tjockt gräs.
	Gräsmattan är för blöt.	Kontrollera tillståndet på gräsmattan – om gräset är för blött ska du vänta tills det torkar i solskenet eller blåsten. Låt daggen avdunsta innan du klipper.
	För hög körhastighet.	Sänk hastigheten.
	Bladets skärhastighet är för låg.	Öka bladets hastighet.
Kort klipptid	Klippning av tätt gräs kan resultera i kort klipptid.	Höja däcket eller minska bladets hastighet kan öka klipparens användningstid på en laddning.
Gräsklipparen drar iväg	Olika däcktryck	Kontrollera klipparens bakre däcktryck regelbundet enligt bruksanvisningen.
Fordonet startar inte efter rengöring.	Felaktig rengöring, t ex vatten i LED-skärmen, batterifacket eller andra elektroniska komponenter.	<ol style="list-style-type: none"> <li>Följ instruktionerna för att rengöra maskinen.</li> <li>Om fordonet av misstag blir genomvått, ställ fordonet torrt i 12 timmar eller varmluftstorka innan användning.</li> <li>Kontakta Cramer kundservicepersonal.</li> </ol>
Gräsklipparen är blockerad.	Ogräs och skräp samlas på däcket.	Följ instruktionerna för att rengöra maskinen efter varje användning.
I parkeringsläge glider och sladdar maskinen snabbt i nedförsbackar.	Kraftigt däckslitage.	Kontakta servicepersonal för att byta däcken.
	Den elektromagnetiska bromsen är skadad eller extremt slitet.	Kontakta servicepersonal för att byta ut den elektromagnetiska bromsen.

PROBLEM	MÖJLIG ORSAK	LÖSNING
	Lösa den elektromagnetiska bromsen manuellt.	Kontrollera den elektromagnetiska bromsen och återställ den till utgångsläget.

## 10 TEKNISKA DATA

Modellnr.	82LT107
Spänning	82 V
Bruttovikt	106±3 kg
Längd	170 cm
Höjd	117 cm
Bredd (med utmatning)	135 cm
Bredd (utan utmatning)	107 cm
Däckbredd	107 cm
Hastighet framåt	0-8 mph
Hastighet bakåt	0-3 mph
Klipphöjd	3.81-11.4 cm
Justeringsnivå för klipp höjd	7 st.
Obelastad hastighet	2400/3000/3200 varv/min
Laddningstid	4 h (med 8 A-laddare)
Motoreffekt	1.2 kW (bladmotor) 1.2 (drivmotor)
MAX. slutningsförmåga	15°
Antal blad (utsläpp/marktäckningsmaterial)	2 st.
Uppmätt ljudtrycksnivå	$L_{pA} = 84.77 \text{ dB(A)}$ , $K_{pA} = 3 \text{ dB(A)}$
Uppmätt ljudeffektnivå	$L_{wA} = 98.24 \text{ dB(A)}$
Garanterad ljudeffektnivå	$L_{wA,d} = 100 \text{ dB(A)}$
Vibration	Armar: $\leq 2.5 \text{ m/s}^2$ , $K = 1.5 \text{ m/s}^2$ Kropp: $\leq 2.5 \text{ m/s}^2$ , $K = 1.5 \text{ m/s}^2$

## 11 BEGRÄNSAD GARANTI

### 11.1 VAD DEN HÄR GARANTIN TÄCKER

Cramer ger följande garanti enbart till den ursprungliga köparen ("ägaren"). Garantin är inte överlåtbar:

**A. Hemmabruk:** Garantin för användning av Cramer för normalt hemmabruk\* är fem (5) år eller 1 500 drifttimmar (vilket som än inträffar först) efter inköpsdatumet. Det gäller för alla material och allt utförande kring chassi, däck och batterier. Garantin för slitagedelar och förbrukningsvaror, såsom däck och blad, är trettio (30) dagar från inköpsdatumet. Om ägaren inom garantiperioden upptäcker en defekt i material eller utförande:

- Ägaren måste omgående informera Cramer eller en auktoriserad återförsäljare om defekten per brev, e-postmeddelande, telefon, app eller personligen. Under inga omständigheter ska Cramer eller en auktoriserad återförsäljare motta sådant meddelande senare än fem (5) år efter inköpsdatumet.

- Inom rimlig tid efter sådant meddelande och verifiering av defekten kommer Cramer att korrigera defekter i material eller utförande på Cramer genom att antingen reparera eller byta ut delar med antingen nya eller begagnade reservdelar.
- Cramer bekostar sådan reparation, inkl. delar och arbete, enbart för den ursprungliga ägaren.

**B. Kommersiell användning:** Garantin för användning av Cramer för kommersiellt och institutionellt bruk är fem (5) år eller 1 500 drifttimmar (vilket som än inträffar först) efter inköpsdatumet. Det gäller för alla material och allt utförande kring chassi, däck och batterier. Garantin för slitagedelar och förbrukningsvaror (inkl. men inte begränsade till däck och blad) är trettio (30) dagar från inköpsdatumet. Om ägaren inom garantiperioden upptäcker en defekt i material eller utförande:

- Ägaren måste omgående informera Cramer eller en auktoriserad återförsäljare om defekten per brev, e-postmeddelande, telefon, app eller personligen. Under inga omständigheter ska Cramer eller en auktoriserad återförsäljare motta sådant meddelande senare än fem (5) år efter inköpsdatumet.
- Inom rimlig tid efter sådant meddelande och verifiering av defekten kommer Cramer att korrigera defekter i material eller utförande på Cramer genom att antingen reparera eller byta ut delar med antingen nya eller begagnade reservdelar.
- Cramer bekostar sådan reparation, inkl. delar och arbete, enbart för den ursprungliga ägaren (kommersiellt bruk).

## i NOTERA

Underlåtenhet att underhålla batterierna och hålla dem fulladdade förkortar hållbarheten och upphäver batterigarantin. Bestämmelserna i den begränsade garantin gäller inte vid fel på grund av:

- Felaktig hantering eller försummelse, såsom vattenskada, lösa kablar, rost- eller frätskador.
- Olämpligt underhåll; skada orsakad av felaktig installation av batteriet; försummelse, användningsskador, exponering för extrema temperaturer, inkl. men inte begränsade till frystemperaturer, hög värme, närhet till värmekällor inklusive element eller eld, exponering för vatten eller andra ämnen, förstörelse, användning av batteriet i ett överladdat eller oladdat tillstånd.
- Batteriladdning genom andra system än originalladdaren.

**Fotnot:** *”Normalt hemmabruk” innebär här användning av produkten på din egen trädgård. Användning på fler än en plats går under begreppet kommersiellt bruk, efter vilket garantin för kommersiellt bruk gäller.*

## 11.2 VEM FÅR UTFÖRA GARANTISERVICE

Enbart auktoriserade Cramer-återförsäljare eller auktoriserade Cramer-servicetekniker får utföra garantiservice. Produktägaren står för kostnader för servicesamtal och/eller transport till och från den auktoriserade återförsäljaren, för garantijobb. Kontakta en auktoriserad återförsäljare för att erhålla garantiservice.

## 11.3 VAD DEN HÄR GARANTIN INTE TÄCKER

Cramer garanterar inte:

- Reparationer utförda av obehöriga personer.
- Skada orsakad av användning av Cramer i andra syften än de avsedda.
- Skador orsakade av katastrofer såsom eld, översvämning, vind och blixtnedslag.
- Skador orsakade av försummelse, våld, onormal användning, felaktig eller olämplig användning, olyckor, eller missbruk, till exempel vattenskador.
- Reparationer eller byten som är nödvändiga till följd av användning av icke godkända delar, tillbehör eller tillsatser.
- Reparationer eller byten som är nödvändiga till följd av ändringar som Cramer inte har godkänt och som påverkar driften, prestandan eller hållbarheten negativt.
- Produkter, komponenter eller delar som Cramer inte har tillverkat.
- Produkter som inte har kvar identifieringsinformation, inklusive men inte begränsat till borttaget eller oläsligt serienummer.
- Försämring eller skada orsakad av onormalt slitage, bristande eller felaktigt underhåll, underlåtenhet att följa instruktionerna för drift, underhåll och justering i ägarmanualen eller andra instruktioner som Cramer tillhandahåller.
- Delar som inte är underhålls- eller servicefria, inklusive men inte begränsade till smörjmedel, delar som kräver finjustering, blad, bladslipning, lager, broms- eller styrjustering.

- Produkter med icke godkänd programmering för den produkten, inklusive ändringar av parametrar, eftermarknadsprogrammering eller -justeringar, eller annan icke godkänd ändring av komponenter, elektronik eller programvara.

## 11.4 ANSVARSFRISKRIVNING

De förutnämnda garantierna gäller i stället för alla andra garantier, uttryckta eller underförstådda, inklusive men inte begränsade till garantier för säljbarhet eller lämplighet för ett visst syfte. Dock är underförstådda garantier för säljbarhet eller lämplighet för ett visst syfte begränsade till varaktigheten för den här begränsade garantin om kunden har köpt Cramer som en konsumentprodukt. Vissa regioner tillåter inte begränsningar för hur länge en underförstådd garanti gäller, så begränsningen ovan kanske inte gäller för dig. Den här garantin ger dig specifika rättigheter enligt lag, och du kan även ha andra rättigheter, som varierar beroende på region.

## 11.5 BEGRÄNSNING AV PÅFÖLJDER

Under inga omständigheter ska Cramer ansvara för särskilda, oavsiktliga eller efterföljande skador baserat på garantibrott, avtalsbrott, försummelse, skadeståndsskyldighet eller annan juridisk teori. Sådana skador inkluderar men är inte begränsade till:

- Vinstförlust
- Besparings- eller intäktsförlust
- Förlorad användning av Cramer eller annan tillhörande utrustning
- Kapitalkostnad
- Kostnad för ersättningsutrustning, anläggning, tjänster eller stilleståndstid
- Anspråk från tredje parter, inklusive kunder, och egendomsskada

## 11.6 VARAKTIGHET

Om inte statlig lagstiftning fastställer annat:

Anspråk kring garantibrott ska inledas inom fem (5) år eller sextio (60) månader från inköpsdatumet. Detta gäller för både hemmabruk och kommersiellt bruk.

Om kunden köper produkten en mycket lång tid efter tillverkningsdatumet, kan Cramer komma att begränsa garantin ytterligare.

## 11.7 INGA ANDRA GARANTIER

Det här avtalet är ett fullständigt och exklusivt avtal mellan parterna, och det har företräde framför eventuella tidigare avtal, muntliga eller skriftliga, och all annan relaterad kommunikation mellan parterna.

## 11.8 ÄGARANSVAR

Du måste underhålla Cramer i enlighet med underhållsprocedurerna i din ägarmanual. Du ska själv bekosta sådant rutinunderhåll, oavsett om du eller en återförsäljare utför det.

Den här maskinen, precis som andra motordrivna maskiner, kan vara farlig om den inte används som avsett. Operatören måste vara försiktig och alltid ha ett säkerhetstänk. Operatören ska före användning av Cramer göra sig införstådd i ägarmanualen och informationen om drift och säkerhet, samt alla säkerhetsvarningar på själva maskinen.

## 11.9 TILLDELNING AV RISK

Avtalet tilldelar riskerna med produktfel mellan Cramer och ägaren. Båda parterna samtycker till tilldelningen, som återspeglas i priset för varorna.

## 11.10 GARANTIREGISTRERING

Om inte statlig lagstiftning fastställer annat:

1. Ägaren måste registrera enheten med Cramer inom tio (10) dagar efter inköpsdatumet.
2. Registreringen sker genom ett formulär för garantiregistrering, vilket finns i bruksanvisningen.
3. Det är även möjligt att slutföra registreringen med formulär på [cramertools.com](http://cramertools.com) eller med appen och ett inköpsbevis (kvitto med inköpsdatum).

## 12 EG-FÖRSÄKRAN OM ÖVERENSSTÄMMELSE

Tillverkarens namn och adress:

Namn: Greenworks Tools Europe AB  
Adress: Brunnenweg 17, 64331 Weiterstadt, Tyskland

Namn och adress till personen med behörighet att sammanställa den tekniska filen:

Namn: Ralf Pankalla  
Adress: Brunnenweg 17, 64331 Weiterstadt, Tyskland

Härmed försäkras att produkten

Kategori: Grästraktor  
Modell: 82LT107  
Serienummer: Se produktens typskylt  
Tillverkningsår: Se produktens typskylt

- är i överensstämmelse med relevanta bestämmelser i Maskindirektivet 2006/42/EG.
- är i överensstämmelse med bestämmelserna i följande EG-direktiv:
  - 2014/30/EU
  - 2011/65/EU & 2015/863/EU

Dessutom försäkras vi att följande (delar/klausuler av) europeiska harmoniserade standarder har använts:

- EN 62841-1, EN ISO 5395-1, EN ISO 5395-3, EN ISO 14982, IEC 62321-3-1, IEC 62321-4, IEC 62321-5, IEC 62321-6, IEC 62321-7-1, IEC 62321-7-2, IEC 62321-8

Ort, datum: 11.11.2022

Signatur: Ted Qu, Kvalitetschef

Ted Qu

<b>1</b>	<b>Beskrivelse.....</b>	<b>224</b>	7.4	Smøring.....	235
1.1	Oversikt.....	224	7.5	Dreiemomentverdier.....	236
1.2	Kontrollpanel.....	224	7.6	Vedlikehold av batteripakken.....	236
<b>2</b>	<b>Pakk ut maskinen.....</b>	<b>224</b>	7.7	Vedlikehold av batteriromfilter.....	236
<b>3</b>	<b>Installasjon.....</b>	<b>225</b>	7.8	Service.....	236
3.1	Monter setet.....	225	<b>8</b>	<b>Transport og oppbevaring.....</b>	<b>237</b>
3.2	Installer rattet.....	225	8.1	Transport.....	237
3.3	Installer biodekket.....	225	8.2	Rengjøring og oppbevaring.....	238
3.4	Anti-skalperingshjul.....	225	<b>9</b>	<b>Feilsøking.....</b>	<b>240</b>
3.5	Bruk appen.....	226	<b>10</b>	<b>Tekniske data.....</b>	<b>242</b>
<b>4</b>	<b>Bruksanvisning.....</b>	<b>226</b>	<b>11</b>	<b>Begrenset garanti.....</b>	<b>242</b>
4.1	Før drift.....	226	11.1	Hva dekkes av denne garantien.....	242
4.2	Betjen maskinen.....	227	11.2	Hvem skal utføre garantiservicen.....	243
<b>5</b>	<b>Elektrisk system.....</b>	<b>230</b>	11.3	Hva dekkes ikke av denne garantien.....	243
5.1	Elektrisk systemsikkerhet.....	230	11.4	Fraskrivelse av garanti.....	244
5.2	Informasjon om elektrisk system.....	230	11.5	Begrensning av rettsmidler.....	244
5.3	Digital skjerm.....	230	11.6	Tidsbegrensning.....	244
<b>6</b>	<b>Feil.....</b>	<b>231</b>	11.7	Ingen andre garantier.....	244
6.1	Feilkode.....	232	11.8	Eiers ansvar.....	244
<b>7</b>	<b>Vedlikehold.....</b>	<b>234</b>	11.9	Allokering av risiko.....	244
7.1	Vedlikehold av klippeblad.....	234	11.10	Garantiregistrering.....	244
7.2	Bytte ut frontlykten.....	235	<b>12</b>	<b>EF-samsvarserklæring.....</b>	<b>245</b>
7.3	Dekk.....	235			

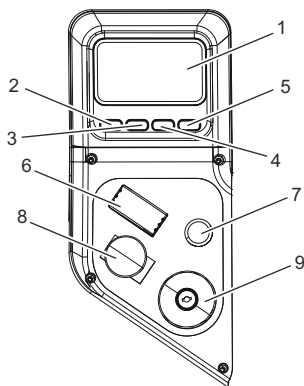
## 1 BESKRIVELSE

### 1.1 OVERSIKT

Se eget figurark 1-20

1	Setejusteringsspak	18	Dekkplate
2	Sideutkast	19	Biodekke
3	Bremsepedal	20	Lagerring
4	Kontrollpanel	21	Fikseringsklemmer
5	Dekkhøydejusteringsspak	22	Serienummer
6	Gasspedal	23	Sammenkoblingskode
7	Parkeringsbremsehåndtak	24	QR-kode
8	Frontlykter	25	Batterirom
9	Koppholder	26	Batteri
10	USB-port	27	Batterilåsehake
11	Anti-skalperingshjul	28	Knivblad
12	Setepanel	29	Havn for oljefylling
13	Seteplugg	30	Oljeavløp
14	Styreaksel	31	Hageslange
15	Kobling	32	Hurtigkobling
16	Rattstamme	33	Skiveport
17	Ratt		

### 1.2 KONTROLLPANEL



#	Navn	Funksjon
1	Digital skjerm	Denne skjermen viser viktig informasjon om det elektriske systemet. Se avsnittet Elektrisk for fullstendig informasjon.
2	Hastighetsskontroll / retur for knivbladmotor	Juster bladhastigheten (syklisk) når den er på hjemmesiden. Trykk på knappen for å gå tilbake til forrige side.
3	Menyvalg / side opp	Bla til siste side på den digitale skjermen. Tilbake til startskjermen.
4	Lampebryter / side ned	Slå på/av lampene når de er på hjemmesiden. Bla til neste side på den digitale skjermen.
5	Cruisekontrollknapp / bekreft	Trykk og hold nede i over 0,4 s for å aktivere cruisekontroll-funksjonen. Trykk på knappen for å bekrefte.
6	Bryter for retningsskontroll	Gressklipperens bevegelsesretning styres ved hjelp av retningskontrollbryteren. Tilgjengelige innstillinger er Kjør (D), Nøytral (N) og Revers (R).
7	Knapp for omvendt klipping	For klipping i revers må reversklipping-knappen være aktivert.
8	Strømbryter	Bryteren brukes til å slå gressklipperen av og på. Startnøkkelen må settes inn før bryteren kan betjenes.
9	Av/på-bryter for dekkknivblader (PTO)	Denne bryteren aktiverer knivbladmotorene. Trekk bryteren opp for å koble inn og trykk bryteren ned for å koble fra motorene.

### i VIKTIG

Koble aldri til knivbladmotorer når dekket er under belastning. Motorer eller dekk kan bli skadet.

## 2 PAKK UT MASKINEN

### ▲ ADVARSEL

Sørg for at maskinen monteres korrekt før du benytter den.

### ▲ ADVARSEL

- Du må ikke bruke maskinen hvis noen deler av maskinen er defekte.
- Hvis deler mangler, ikke bruk maskinen.
- Hvis deler er skadet eller mangler, kontakt servicesenteret.

1. Åpne pakken.



2. Les dokumentasjonen i esken som medfølger.
3. Ta alle de umonterte delene ut av esken.
4. Ta maskinen ut av esken.
5. Kast esken og emballasjemateriale i henhold til lokale lover og regler.

## ▲ ADVARSEL

For din personlige sikkerhet, ikke sett inn batteriet før verktøyet er satt sammen fullstendig.

## 3 INSTALLASJON

### 3.1 MONTER SETET

Se figur 3

1. Plasser seteenheden over setepanelet og juster hullene som vist.
2. Installer boltene, skivene og mutrene og stram godt til.
3. Fest ermene til mutterne.
4. Sørg for at den sitter godt fast.
5. Koble setepuggen til maskinen.

### 3.2 INSTALLER RATTET

Se figur 4-5

## i MERK

Forsikre deg om at sporet vender opp til setet.

1. Monter styreakselen i koblingen, roter etter behov for å justere hull i akselen med bolthull i koblingen.
2. Monter to bolter og stram sikkert.

## i MERK

Dreiemomentet boltes til verdien som vist.

3. Installer rattstammen. Legg merke til tappene på bunnen av rattstammen som passer inn i hullene i åpningen, og sørg for at rattstammen sitter godt.
4. Forsikre deg om at gressklipperens hjul peker rett frem, og installer deretter rattet over rattstammen med kraft.
5. Installer boltene og skiven; stram godt til.
6. Monter rattdekselplaten.

### 3.3 INSTALLER BIODEKKET

Se figur 6

Gressklipperen er konfigurert for sideutladning når den sendes. Hvis mulching er ønsket:

1. Plasser biodekket på tappen på gressklipperhuset.
2. Juster hullene i biodekket og hullene i gressklipperhuset.
3. Monter og stram boltene, skruene, festeklemmene og lagerringen som vist.

### 3.4 ANTI-SKALPERINGSHJUL

Se figur 2

Anti-skalperingshjulsett er standard på Cramer enheter. Disse anti-skalperingshjulene er designet for å minimere skalpering når du klipper i råft, ujevnt terreng. Etter å ha stilt inn klippehøyden, juster antiskalperingshjulene slik at de strekker seg under dekket, men ikke kommer i kontakt med bakken. De bør alltid være minst 0,6 cm til 1,9 cm under dekk. Med enheten sittende på et flatt underlag, kan hjulposisjonen justeres opp eller ned etter behov fra 1,9 cm til 4,4 cm under knivbladoverflaten. Flytt hjulene opp eller ned – bruk de forskjellige akselmonteringshullene i hjulfestebakketten (hvis aktuelt på modellen).

### 3.5 BRUK APPEN

Se figur 7-8

1. Besøk Flåtestyring-nettstedet: fleet.cramertools.com
2. Opprett en konto og logg deretter inn.
3. Inviter andre brukere i organisasjonen.
4. Skann QR-koden, last ned appen og logg inn.
5. Legg til en enhet. Finn serienummeret, paringskoden og QR-koden i kjøretøyets samsvarende etikett. Skann QR-koden eller skriv den inn manuelt.

## 4 BRUKSANVISNING

### 4.1 FØR DRIFT

#### 4.1.1 JUSTER SETET

Se figur 9

Juster seteposisjonen for å sikre at du er i stand til å få fast kontakt med gasspedalen og bremsepedalen før du bruker klipperen.

1. Sett deg ned på setet og løft setejusteringsspaken.
2. Mens du holder spaken, skyv setet til ønsket posisjon.
3. Slipp spaken og sørg for at setet er låst på plass før du bruker klipperen.

#### ▲ ADVARSEL

Forsikre deg om at setet er låst på plass før du bruker klipperen. Et sete som ikke er sikret, kan føre til at operatøren glir og mister kontrollen over gressklipperen, og kan føre til mulig død eller alvorlig personskade.

#### 4.1.2 JUSTER KLIPPEHØYDEN PÅ DEKKET

Se figur 10

Før du bruker klipperen må du heve klippeaggregatets høyde til den klippeposisjonen som passer best for plenen din.

Dekkhøyden er justerbar fra 3.81-11.4 cm. Dekket bør heves mens klippingen pågår for å unngå stubber, steiner eller andre hindringer som kan skade klippedekket.

#### ▲ FORSIKTIG

Hold dekkets høydejusteringsspak fast når du stiller inn dekkhøyden, og slipp den bare når den er sikret i ønsket spor. Hvis du slipper spaken raskt, kan det oppstå en fare for klemming eller trekking av operatørens hånd.

1. Stopp klipperen og løsne knivene.
2. Vri nøkkelen til AV-posisjon og aktiver parkeringsbremsen.
3. Før å heve klippedekket, ta tak i høydejusteringsspaken, skyv til venstre for å koble fra sporet, beveg deg mot baksiden av klipperen, og skyv deretter rett inn i sporet for å sikre.
4. Før å senke klippedekket, ta tak i høydejusteringsspaken, skyv til venstre for å koble fra sporet, flytt mot fronten av klipperen, og skyv deretter rett inn i sporet for å sikre.

#### 4.1.3 INSTALLERING AV BATTERIPAKKEN

Se figur 11

For å kontrollere at gressklipperbatteriene er fulladet, sjekk batterinivåindikatoren. Se batterihåndboken for mer informasjon.

1. Løft setepanelet.
2. Løft dekselet til batterirommet.
3. Sett batteripakken inn i batterirommet.

## ▲ ADVARSEL

Juster ribben på batteriet i forhold til batteriporten. Forsikre deg om at batterilåsen klikker jevnt inn i batterirommet.

### 4.1.4 FØR DU BRUKER MASKINEN

- Sørg for at arbeidsområdet er fritt for barn, tilskuere og kjæledyr.
- Fjern arbeidsområdet for gjenstander som kan kastes av gressklipperbladene.
- Sjekk bremsedriften.
- Sjekk dekktrykket.
- Se etter løse festemidler.
- Kontroller at alt av vern er på plass og fungerer som det skal.
- Rengjør rusk fra gressklipperen.
- Test sikkerhetssperresystem.
- Juster setet til ønsket posisjon.
- Kontroller batteriets ladenivå.

### 4.1.5 SIKKERHETSLÅSSYSTEM

Se figur 12

Denne gressklipperen har et sikkerhetsslåssystem for å beskytte operatøren ved å slå av knivbladene hvis operatøren forlater setet med bladene i gang. Test systemet før hver bruk for å være sikker på at det fungerer som det skal.

1. Kontroller at retningskontrollbryteren er i nøytral (N) posisjon og at PTO-bryteren er nede.
2. Sett inn starttasten og vri til PÅ-posisjon.
3. Slipp parkeringsbremsen.
4. Løft PTO-bryteren for å aktivere knivene.
5. Hev deg over setet i kort tid, men ikke gå av klipperen.

Bladene skal slå seg av innen fem sekunder. Hvis de ikke gjør det, kan du ta kontakt med kundeservice. Ikke bruk gressklipperen før sikkerhetsslåssystemet er reparert.

## 4.2 BETJEN MASKINEN

### 4.2.1 START MASKINEN

## i MERK

Sørg for at det ikke er andre i området før bruk. Hvis noen kommer inn i klippeområdet, må du stoppe umiddelbart og ikke fortsette med klippingen før vedkommende forlater området.

1. Løft klippedekket til den høyeste posisjonen.
2. Sett inn starttasten og vri til PÅ-posisjon.
3. Trykk retningskontrollbryteren til nøytral (N) posisjon.
4. Slipp parkeringsbremsen.
5. Trekk opp på dekkets PTO-bryter for å starte knivbladene for klipping.
6. Trykk retningskontrollbryteren til Kjør-posisjonen (D) og kjør til ønsket klippested.

## i MERK

Vær forsiktig når du krysser grusstier eller innkjørsler. Før du krysser, koble fra bladene og løft klippedekket til den høyeste posisjonen for å minimere muligheten for rikosjett. Kjør sakte for å unngå tap av trekraft og kontroll.

## i MERK

Ikke prøv å endre driftsretningen mens gressklipperen er i bevegelse. Stopp alltid helt før du endrer retningen på klipperen.

## 4.2.2 STILLE INN CRUISEKONTROLL

1. Mens du kjører gressklipperen fremover trykker du på gasspedalen til ønsket hastighet oppnås.
2. Trykk på cruisekontroll-knappen og hold den nede i over 0,4 s.
3. Slipp trykket på gasspedalen. Gressklipperhastigheten skal forbli konstant.

## 4.2.3 SLIPPE CRUISEKONTROLLEN

1. Trykk raskt på gasspedalen, press bremsepedalen ned.

## 4.2.4 AKTIVERE PARKERINGSBREMSEN

1. Trykk helt ned og hold bremsepedalen.
2. Trekk parkeringsbremsehåndtaket opp og hold det.
3. Slipp bremsepedalen.
4. Slipp parkeringsbremsehåndtaket.

### ▲ ADVARSEL

La aldri gressklipperen være uten tilsyn når motoren går. Kontroller at parkeringsbremsen er satt og nøkkelen er fjernet. Hvis du ikke stiller inn parkeringsbremsen, kan gressklipperen bevege seg, og hvis du glemmer nøkkelen, kan dette lede til uautorisert bruk som kan føre til alvorlig personskade.

## 4.2.5 SLIPPE PARKERINGSBREMSEN

1. Trykk ned bremsepedalen for å slippe parkeringsbremsen.

## 4.2.6 STOPPE MASKINEN

1. Stopp gressklipperen på et flatt, jevnt underlag.
2. Aktiver parkeringsbremsen.
3. Trykk PTO-bryteren ned for å slå av bladene.
4. Vri nøkkelen til AV-posisjon.

## 4.2.7 REVERS MODUS-DRIFT

Se figur 13

- Trykk ned bremsepedalen og få gressklipperen til å stoppe helt.
- Trykk PTO-bryteren ned for å slå av bladene.
- Plasser retningskontrollbryteren i Revers-posisjon (R).
- Trykk på Reversklipping-knappen.
- Løft PTO-bryteren, trykk sakte på gasspedalen og klipp i revers etter behov.

### ▲ ADVARSEL

Ikke klipp i revers med mindre det er absolutt nødvendig. Se alltid ned og bak deg før og mens du rygger for å sikre at ingen barn, tilskuere eller kjæledyr kommer inn i klippeområdet. Husk at kun et hundredels sekund uforsiktighet er tilstrekkelig til å påføre alvorlig skade.

### ▲ ADVARSEL

Vær spesielt forsiktig før og når du rygger med baggersettet (følger ikke med) installert, da det kan begrense synligheten. Se alltid nøye bak og ned etter små barn, tilskuere og kjæledyr, og flytt gressklipperen sakte for å forhindre rygg over ulykker som kan forårsake død eller alvorlig personskade.

## 4.2.8 BRUK AV USB-PORTEN

Se figur 14

USB-ladeporten gir ladeeffekt på 5 volt DC ved opptil 2,1 ampere for mobiltelefonen, MP3-spilleren eller andre USB-enheter. Se brukerhåndboken til enheten din for spesifikke ladekrav.

# Norsk

Koble den ene enden av en USB-kabel (følger ikke med) til enheten og den andre enden til USB-ladeporten på gressklipperen for å begynne å lade enheten.

## i MERK

Forsøk på å lade enheter med en verdi på mer enn 2,1 ampere kan skade USB-ladeporten og/eller gressklipperen.

## i MERK

USB-porten får bare strøm når maskinen starter.

## ▲ ADVARSEL

Bruk aldri hodetelefoner eller elektroniske enheter, for eksempel en smarttelefon eller et nettbrett, mens du bruker klipperen. Distraksjoner ved drift kan føre til en ulykke som kan lede til død eller alvorlig personskaade på operatøren eller personer i nærheten.

### 4.2.9 DRIFTSTIPS

Se figur 15

- Hold gressklipperbladene skarpe.
- Sørg for at plenen er fri for steiner, pinner, ledninger, leker, tremuttere, tregrener og andre gjenstander som kan skade gressklipperbladene eller motoren. Ikke klipp over eiendomsstaker eller andre metallstolper. Slike gjenstander kan skade kniven eller ved et uhell kastes av gressklipperen i alle retninger og forårsake alvorlig personskaade på operatøren og andre.
- For å oppnå en sunn plen, klipp alltid av en tredjedel eller mindre av gressets totale lengde.
- Når du klipper store områder, start med å svinge til høyre slik at gresset slippes ut borte fra busker, gjerder, innkjørsler osv. Etter én eller to runder, klipp i motsatt retning, og ta venstresvinger til du er ferdig.
- Klipp slik at gresset slippes ut i retning av plenområdet som allerede er klippet.
- Når du klipper tungt gress, reduser hastigheten for å muliggjøre mer effektiv klipping og korrekt avhending av gresset.
- **Ved normal klipping**, klipp bare rundt 38 mm (1,5 tommer) av gressbladene. Det anbefales ikke å klippe mer enn dette, med mindre gresset er tynt eller det er slutten av klippesesongen.
- Ikke klipp gress som er vått. Det vil feste seg til undersiden av dekket og forhindre riktig oppsamling eller mulching av gresset.
- Nytt eller tykt gress kan kreve et smalere klipp eller en høyere klippehøyde.
- Hold klipperdekket og gressrennen rene. Fjern gressklipp, blader, smuss og annet oppsamlet rusk før og etter hver bruk. Ikke spray med en hageslange for å rengjøre.

NO

## i MERK

Stopp alltid gressklipperen, la knivbladene stoppe helt og fjern startnøkkelen før du rengjør under klipperen.

### 4.2.10 SKRÅNINGSDRIFT

Se figur 16

Skråninger er en viktig faktor knyttet til tap av kontroll og velteulykker, som kan resultere i alvorlige skader eller død. Drift i alle skråninger krever ekstra forsiktighet. Hvis du ikke kan rygge opp skråningen eller hvis du føler deg urolig på den, ikke klipp den.

- Reis i produsentens anbefalte retning i skråninger. Vær forsiktig ved drift i nærheten av nedoverbakker.
- Ikke bruk maskinen i noen situasjon hvor du er usikker på trekraften, styringen eller stabiliteten. Dekkene kan gli selv om hjulene stoppes.
- Hold alltid maskinen i gir når du går ned bakker. Ikke driv i nedoverbakker.
- Klipp opp og ned bakker, ikke på tvers.
- Se etter hull, hjulspor, støt, steiner eller andre skjulte gjenstander. Ujevnt terreng kan velte maskinen. Høyt gress kan skjule hindringer.
- Ikke klipp i nærheten av fall, grøfter eller fyllinger. Maskinen kan plutselig velte hvis et hjul går over kanten eller hvis kanten faller inn.
- Velg en lav bakkehastighet slik at du ikke trenger å stoppe eller bevege deg mens du er i en skråning.

- Ikke klipp på vått gress. Dekkene kan miste veigrepet.
- Unngå å starte, stoppe eller svinge i en skråning. Hvis dekkene mister veigrepet, koble fra bladet/bladene og fortsett sakte rett nedover skråningen.
- Utfør alle bevegelser i bakker sakte og gradvis. Ikke gjør plutselige endringer i hastighet eller retning, da dette kan føre til at maskinen velter.
- Vær ekstra forsiktig når du bruker maskinen med tilbehør; de kan påvirke stabiliteten til maskinen. Må ikke brukes i bratte bakker.
- Hvis du bruker baggersettet (tilleggsutstyr), må du være ekstremt forsiktig og bruke gressklipperen sakte når du arbeider i skråninger, da baggersettet kan endre stabiliteten til klipperen.
- Bruk alltid bremsene når du kjører nedover skråningen. Ikke prøv å la gressklipperen drive ned bakker i nøytral.

## 5 ELEKTRISK SYSTEM

### 5.1 ELEKTRISK SYSTEMSIKKERHET

- Ta ut nøkkelen og batteriene, og les brukerhåndboken før du justerer eller reparerer enheten.
- Ta alltid ut nøkkelen og batteriene før du arbeider på denne enheten.
- Ta alltid ut nøkkel og batterier når du transporterer enheten.
- Hold enheten fri for gress, løv og annet rusk. IKKE spray med vann for å rengjøre enheten. Bruk kun trykkluft. Bruk tilstrekkelig øye- og hørselsvern når du rengjør enheten.
- Bruk alltid vernebriller og verneutstyr i nærheten av batteriet. Bruk isolert verktøy.
- Rengjør batterirommet, drivmotorrommet, klippeaggregatet, setet osv. for alt skitt og rusk. Ikke bruk løsemidler, harde rengjøringsmidler eller slipemidler.
- Med nøkkel i PÅ-posisjon kan gressklipperbladet aktiveres når dekkbladenes PÅ/AV-bryter (PTO) er koblet til, selv om drivmotoren ikke svinger. Hold andre personer unna området når du kobler til PÅ/AV-bryteren for dekkbladet.
- Alle vedlikeholds- og lagringsområder bør ventileres godt i samsvar med gjeldende brannforskrifter og forskrifter for å unngå brannfare.
- Tillat aldri flammer, gnister eller røyking i nærheten av batterier.
- Oppbevar batterier utilgjengelig for barn.
- Hold alltid beskyttelsesskjold, deksler og vern på plass og godt festet. Hvis de blir skadet, reparer eller skift ut umiddelbart. Aldri modifierer eller fjern sikkerhetsinnretninger.

### 5.2 INFORMASJON OM ELEKTRISK SYSTEM

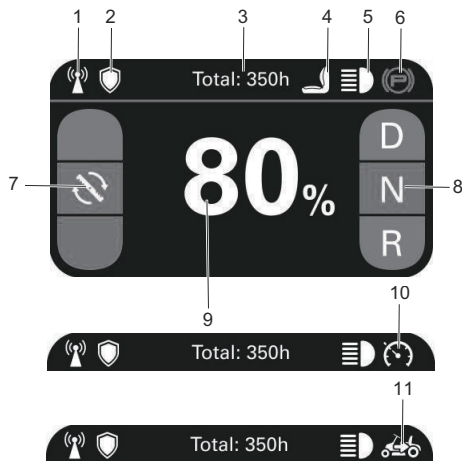
Gressklipperen Cramer drives av et 82-volts elektrisk system. Den består av følgende komponenter:




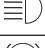

1. Blad- og stasjonskontroll (1)
2. Bladmotor (2)
3. Akselerator (1)
4. Digital skjerm (1)


5. Hjulmotor (1)
6. Batterirom (1)

### 5.3 DIGITAL SKJERM

Funksjonen til den digitale skjermen, plassert på kontrollpanelet, er å gi elektrisk systeminformasjon til operatøren. Den gir detaljert informasjon i form av mønster, koder og nummer.



#	Navn	Funksjon
1		4G GPS-signal
2		GreenShield
3	Totalt: 350 t	Kjøretøyets arbeidstid
4		Setebryteren er lukket.
5		LED-lys
6		Parkeringsbremsen er aktivert.

#	Navn	Funksjon
7		Hastighet til knivblad
8	D/N/R	Kjøretretning: Kjøre (D), Nøytral (N) og Revers (R).
9	80 %	Batteriprosent
10		Cruisekontroll
11		Reversklipping-modus er aktivert.

## 6 FEIL

CANBUS-systemet vil iverksette tiltak for å beskytte brukeren og maskinen når det oppdager et problem. Når det fungerer for å slå av maskinen eller en komponent, vil det indikere at det har oppstått en feil, og at feilen vises på den digitale skjermen. Alle elektriske feil har en bokstavkode etterfulgt av et tall. Den første bokstaven beskriver systemet som forårsaket feilen i henhold til dette diagrammet:

Navn	Betydning
T	Førerkontroll og -motor
PMU	Strømstyringsenhet (i batterirommet)
ML	Venstre bladmotorkontroll
MR	Høyre bladmotorkontroll
V	Kjøretøy

## 6.1 FEILKODE

Feilkode	Beskrivelse	Løsning
T11	Overspenning	Spenningen er for høy. Start strømforsyningen på nytt.
T12	Underspenning	Spenningen er for lav. Lad opp batteripakken før bruk.
T13	Selvtestfeil i kontrollen	Hvis du støter på dette problemet, kan du kontakte distributøren for å få en løsning.
T14	Drivmotoren stoppet	Sjekk om drivhjulene sitter fast og start strømforsyningen på nytt.
T15	Feil med motorkoder	Kontroller at Hall-effektkontakten på Kjøre-kontrollen er riktig tilkoblet, og start deretter strømforsyningen på nytt.
T16	Feil med kontrolldriverkrets	Hvis du støter på dette problemet, kan du kontakte distributøren for å få en løsning.
T17	Overtemp i drivdelen av kontrollen	Kontrolltemperaturen er for høy. Vent til kontrollen er avkjølt, og start deretter strømforsyningen på nytt.
T18	Overoppheting av drivmotoren	Motortemperaturen er for høy. Vent til motoren er avkjølt, og start deretter strømforsyningen på nytt.
T21	Unormal temperatursensor for drivmotoren	Kontroller ledningene til temperatursensoren for abnormiteter.
T22	Overstrøm i drivdelen av kontrollens maskinvare	Lasten er for høy. Start strømforsyningen på nytt.
T23	Feil før lading	Start strømforsyningen på nytt.
T25	Overstrøm i drivprogramvare	Lasten er for høy. Start strømforsyningen på nytt.
T26	MOS-drivfeil	Hvis du støter på dette problemet, kan du kontakte distributøren for å få en løsning.
T27	Tap av motorisk fase	Kontroller at motorkablene til Kjøre-kontrollen er riktig tilkoblet, og start deretter strømforsyningen på nytt.
T28	Overtemp for drivkontrollen	Kontrolltemperaturen er for høy. Vent til kontrollen er avkjølt, og start deretter strømforsyningen på nytt.
V14	Rekkefølge feil for klipping i revers	Trykk på reversklipping-knappen før du klipper i revers.
V15	Feil ved selvtest av kjøretøy	<ol style="list-style-type: none"> <li>1. Før du starter kjøretøyet, må du kontrollere at bremsen er i innkoblet posisjon.</li> <li>2. Før du starter kjøretøyet, må du plassere klippebryteren i av-posisjonen og kontrollere at klippebryteren er riktig tilkoblet.</li> <li>3. Før du starter kjøretøyet, plasser FNR-girspaken i N-posisjonen.</li> <li>4. Kontroller at kontakten under setet er riktig tilkoblet.</li> <li>5. Ikke trykk på cruisekontroll-knappen når du starter kjøretøyet.</li> <li>6. Ikke trykk på gasspedalen når du starter kjøretøyet.</li> </ol>
V16	Feil driftssekvens	Sett akseleratoren og bladbryteren tilbake til startposisjonene.
V17	SPI-kommunikasjonsfeil	Start strømforsyningen på nytt.
V18	Feil i batterirommet (PMU)	Kontroller at gasspedalkablene er riktig tilkoblet, og start strømforsyningen på nytt.
V22	Bladsignal unormalt	Kontroller at bladstartbryteren er riktig tilkoblet, og sett deretter bryteren tilbake til startposisjonen.



# Norsk

Feilkode	Beskrivelse	Løsning
V21	PMU CAN-kommunikasjonsfeil	Kommunikasjonen med batterirommet ble tidsavbrutt. Start strømforsyningen på nytt.
V23	Unormal bryter for operatørtilstedeværelse	Kontroller at kontakten under setet er riktig tilkoblet, og start deretter strømforsyningen på nytt.
ML3	Overstrøm i programvare for venstre knivblad	Kontroller klippelasten og start strømforsyningen på nytt.
ML4	Venstre blad stoppet	Kontroller klippelasten og sett bladstartbryteren tilbake til startposisjonen.
ML6	MOS-feil i venstre knivblad	Hvis du støter på dette problemet, kan du kontakte distributøren for å få en løsning.
ML7	Fasetap i venstre bladmotor	Kontroller at bladkontrollen og motorkablene er riktig tilkoblet, og start deretter strømforsyningen på nytt.
ML9	Unormal temperatur i venstre bladkontroll	Kontrolltemperaturen er for høy. Vent til kontrollen er avkjølt, og start deretter strømforsyningen på nytt.
ML14	Overstrøm i venstre bladmaskinvare	Kontroller klippelasten og start strømforsyningen på nytt.
ML15	Venstre blad kunne ikke starte	Kontroller klippelasten og sett bladstartbryteren tilbake til startposisjonen.
MR3	Motorbeskyttelse ved lav hastighet	Kontroller klippelasten og start strømforsyningen på nytt.
MR4	Motorbeskyttelse ved høy hastighet	Kontroller klippelasten og sett bladstartbryteren tilbake til startposisjonen.
MR6	Feil på motorhall-sensor	Hvis du støter på dette problemet, kan du kontakte distributøren for å få en løsning.
MR7	Tap av kontrollfase	Kontroller at bladkontrollen og motorkablene er riktig tilkoblet, og start deretter strømforsyningen på nytt.
MR9	Åpen krets-feil i MOSFET	Kontrolltemperaturen er for høy. Vent til kontrollen er avkjølt, og start deretter strømforsyningen på nytt.
MR14	Underspenning for kontroll	Kontroller klippelasten og start strømforsyningen på nytt.
MR15	Overspenning for kontroll	Kontroller klippelasten og sett bladstartbryteren tilbake til startposisjonen.
PMU10	Åpen krets-feil i batteripakke	Temperaturen på batterirommet og batteriet er for lav. Bruk maskinen ved passende temperatur og start strømforsyningen på nytt.
PMU11	Stor PMU-feil	Temperaturen på batterirommet og batteriet er for høy. Vent til batteriet er avkjølt, og start deretter strømforsyningen på nytt.
PMU12	Sekundær PMU-feil	En stor feil i batterirommet hindret driv- og bladsystemene i å starte. Start strømforsyningen på nytt og prøv igjen.
PMU13	Ingen batteripakke tilgjengelig	Kontroller at du bruker riktig batteripakke, og start deretter strømforsyningen på nytt.
PMU	Utilstrekkelige batteripakker tilgjengelig, funksjonaliteten kan være begrenset.	Sett inn flere batteripakker.
NA	Vis kommunikasjonsfeil	Kontroller skjermens tilkoblingsdeler og CAN-nettverk.
	Feil visning valgt	Velg riktig display for din bilmodell

NO

## 7 VEDLIKEHOLD

### 7.1 VEDLIKEHOLD AV KLIPPEBLAD

Sjekk klippekneivene daglig. De er nøkkelen til strømeffektivitet og velstelt gress. Hold dem skarpe - et matt blad vil rive i stedet for å klippe gresset, og etterlate en brun fillete topp på gresset i løpet av noen timer. Et sløvt blad krever også mer kraft. Bytt ut et knivblad som er bøyd, sprukket eller ødelagt.

#### ▲ ADVARSEL

Forsøk aldri å rette ut et bøyd blad ved oppvarming, eller sveis et sprukket eller ødelagt blad, da bladet kan gå i stykker og forårsake alvorlig personskade. Bytt ut slitte eller skadede kniver.

#### ▲ ADVARSEL

Arbeid aldri med knivblader mens nøkkelen er i tenningsbryteren. Vri nøkkelen til «AV»-posisjonen, fjern batteripakkene fra maskinen. Blokker klipperen når du må jobbe under den. Bruk hansker når du håndterer kniver. Sjekk alltid for knivskader hvis klipperen treffer en stein, gren eller andre fremmedlegemer!

#### ▲ FARE

Touch-up sliping kan gjøres med en fil. Sjekk bladene for balanse etter sliping. Et kommersielt balanseringsverktøy er tilgjengelig gjennom de fleste jernvarebutikker, eller balansering kan gjøres ved å plassere bladet på en omvendt linjestans eller 12,7 mm (1/2") bolt. Bladet skal ikke lene eller vippe. Mens du spinner bladet sakte, skal det ikke vingle. Hvis bladet er i ubalanse, må du korrigere det før du installerer det igjen. Legg bladet på en flat overflate og se etter forvrengning. Bytt ut forvrent blad.

#### ▲ ADVARSEL

- Bladseilet (buet del) må peke oppover mot innsiden av dekket for å sikre riktig klipping.
- Når du monterer kniver, roterer du dem etter installasjon for å sikre at knivtuppene ikke berører hverandre eller sidene av klipperen.
- Unnlatelse av å gi bolten riktig moment kan føre til tap av bladet, noe som kan forårsake alvorlig personskade.
- Gressklipperbladene er skarpe og kan kutte deg. Bruk hansker og vær ekstra forsiktig når du utfører service på dem.

#### 7.1.1 SKIFT UT BLADET

Se figur 17

1. Stopp motoren, fjern startnøkkelen og aktiver parkeringsbremsen.
2. Hev høyden på klippedekket til høyeste posisjon for å få tilgang til knivene.

#### i MERK

Løft om nødvendig gressklipperen ved å plassere den på en heis eller bruke jekk og jekkstativer, eller fjern klippedekket som beskrevet i forrige avsnitt for å få tilgang til knivene.

#### ▲ ADVARSEL

Hvis du løfter gressklipperen for å få tilgang til knivene, må du sørge for at gressklipperen er ordentlig sikret og at parkeringsbremsen er aktivert før du fortsetter. Hvis gressklipperen ikke sikres ordentlig, kan den falle, noe som kan føre til død eller mulig alvorlig personskade.

3. Kil en treblokk mellom kniven og klippedekket for å hindre at bladet blir vridd.
4. Løsne bladmutteren ved å vri den mot klokken (sett fra bunnen av gressklipperen) med en 16 mm skiftenøkkel eller hylse (følger ikke med).
5. Fjern bladmutteren, avstandsstykket, bladisolatoren og bladet.
6. Tre bladmutteren på akselen og trekk til med fingeren.
7. Trekk til bladmutteren med klokken ved hjelp av en momentnøkkel (følger ikke med) for å sikre at bolten er godt strammet. Det anbefalte dreiemomentet for bladmutteren er 90 N.m ~ 100 N.m (66 ~ 74 ft.lbs).

## ▲ ADVARSEL

Forsikre deg om at bladet er riktig plassert og at bladmutteren er strammet til dreiemomentspesifikasjonene ovenfor. Hvis bladet ikke festes ordentlig, kan det løsne og føre til mulig alvorlig personskade.

8. Gjenta med det andre bladet, om nødvendig.

## i MERK

Forsikre deg om at alle delene byttes ut i akkurat den rekkefølgen de ble fjernet.

## 7.2 BYTTE UT FRONTLYKTEN

Se figur 18

Ring kundeservice eller besøk hjemmesiden vår på nettet for å bestille en ny frontlykt.

1. Parker gressklipperen på et jevnt underlag og aktiver parkeringsbremsen.
2. Stopp motoren og fjern startnøkkelen.
3. Fjern og sett til side sekskanthodeskruen og den flate skiven som holder klipperens gulvpanel på plass.
4. Løft gulvpanelet litt for å få tilgang til de to sekskanthodeskruene og flate skivene som holder frontlykten på plass. Fjern skruer og skiver og sett dem til side.
5. Koble fra den gamle frontlykten og kast den.
6. Koble til ny frontlykt og installer skiver og skruer på nytt. Stram godt.
7. Senk gulvpanel og installer skive og skruer på nytt for å sikre.

## 7.3 DEKK

Det er viktig for jevn klipping at alle dekk har riktig mengde lufttrykk. Det anbefalte trykket er:

## i MERK

Dekktrykket skal kun måles eller justeres når dekkene er kalde.

Drivhjul	8 psi
Hjul foran	24 psi

## i MERK

Inspiser dekkene daglig. Skift umiddelbart hvis den er skadet.

## ▲ ADVARSEL

Kontroller dekktrykket nøye mens du pumper opp dekkene. For mye luft i dekket kan få dekket til å sprekke og forårsake alvorlig personskade.

## 7.4 SMØRING

Se figur 19

Tilsett olje før bruk.

Oljetype	SAE85W-140
Oljekapasitet	180 ml

Kontakt din Cramer forhandler for å erstatte smøringen.

## i MERK

Bytt girkasseoljen etter at du har brukt maskinen i 50 timer for første gang, og bytt deretter oljen etter 200 timer.

## 7.5 DREIEMOMENTVERDIER

### ▲ ADVARSEL

Spesiell oppmerksomhet må vies til å stramme drivhjulets knaster og bladspindelbolter. Unnlattelse av å trekke til disse gjenstandene korrekt kan føre til tap av et hjul eller et blad, noe som kan forårsake alvorlig skade eller personskade.

Dreiemomentverdier er gitt nedenfor:

Del	Ft-lbs.	Nm
Hjulmuttere (slepemuttere)	89	120
Bladspindelbolt	66	90

**Bare slepemuttere** –Det anbefales at disse først kontrolleres etter de to første driftstimene, og deretter hver 100. time og etter fjerning for reparasjon eller utskifting.

## 7.6 VEDLIKEHOLD AV BATTERIPAKKEN

Klipperen Cramer din drives av en batteripakke som, når den vedlikeholdes på riktig måte, vil gi mange års levetid. For riktig vedlikehold, følg følgende instruksjoner:

- Lad alltid batteriene etter hver bruk.
- Når en batteripakke er helt utladet og slått av, er det best å lade batteriet så snart som mulig. Overutlading av batteripakken betyr at batterilevetiden vil bli forkortet og batteriet kan bli permanent skadet. Det er ikke nødvendig å fullade; det vil være fordelaktig selv om du bare lader batteripakken i 5-10 minutter. Det er best å lade den opp innen 24 timer.
- Hindre at gress, smuss og rusk samler seg i nærheten av batteripoler og i batteriområdet.
- Lad batterier innendørs på et godt ventilert og tørt sted borte fra gnister eller flammer. Utsett aldri laderen for regn, damp eller væske.
- Lad bare litiumbatterier levert av Cramer.
- Ikke berør uisolert del av laderen (klemmepinnene) eller utgangskontakten.
- Må ikke brukes med defekte ledninger og ledninger. Bytt defekte ledninger og ledninger umiddelbart.
- For langtidsoppbevaring, sørg for at lagringstemperaturen er -20 °C – 45 °C innen en måned, og 0 °C – 35 °C mellom to og tolv måneder.
- Batteripakkens arbeidsmiljø er -20 °C – 55 °C for utlading og 0 °C ~ 55 °C for lading.

## 7.7 VEDLIKEHOLD AV BATTERIROMFILTER

Skift ut filteret i batterirommet etter 200 timer.

## 7.8 SERVICE

### i VIKTIG

Vent til all bevegelse stopper før du justerer, rengjør eller reparerer. Reparasjoner eller vedlikehold som krever strøm bør kun utføres av opplært vedlikeholdspersonell. Les og observer sikkerhetsadvarslene foran håndboken.

### i VIKTIG

Reparasjoner eller vedlikehold som krever strøm bør kun utføres av opplært vedlikeholdspersonell.

- Parker klipperen på jevnt underlag. Pass på at styrespakene er i nøytral posisjon, og at PTO-bryteren er i «AV»-posisjon. Løft dekket, roter nøkkelen til «AV»-posisjon, fjern nøkkelen fra bryteren og fjern batteripakkene fra batterirommet under setet.
- Enhver vedlikeholdsoperasjon som krever fjerning av sikkerhetsdeksler må utføres av en utdannet servicetekniker.
- Bruk en pinne eller lignende instrument til å rengjøre under klipperen, og pass på at ingen del av kroppen – spesielt armer og hender – er under klipperen.

- Hold maskinen ren og fjern eventuelle avleiringer av søppel og utklipp.
- Hold batterirommet, dekket og førerplassen rene for oppsamlet søppel, gressklipp og annet rusk.
- Rengjør batterirommet, drivmotorrommet, klippeaggregatet, setet osv. for alt skitt og rusk. For å rengjøre, bruk kun trykkluft. IKKE bruk vann, løsemidler, harde rengjøringsmidler eller slipemidler.
- Bruk alltid tilstrekkelig øyevern når du utfører service på batteriene eller når du sliper klippeknivene og fjerner oppsamlet rusk. Forsøk aldri å foreta justeringer eller reparasjoner på klipperens drivsystem, klippeaggregat eller annet tilbehør mens trekkdrivsystemet er i gang. Reparasjoner eller vedlikehold som krever strøm bør kun utføres av opplært vedlikeholdspersonell.
- Arbeid aldri under maskinen eller tilbehøret med mindre det er trygt støttet med jekkstativer. Sørg for at maskinen er sikker når den er hevet og plassert på jekkstativene.
- Jekkstativene skal ikke tillate at maskinen beveger seg når trekkdrivsystemet er i gang og drivhjulene roterer. Bruk kun sertifiserte jekkstativ. Bruk kun egnede jekkstativ, med en minimumsvekt på 907,2 kg (2000 pounds) for å blokkere enheten. Bruk kun i par. Følg instruksjonene som følger med kjøretøystativene.
- Ikke berør varme deler av maskinen.
- Hold muttere og bolter stramme, spesielt knivfesteboltene. Hold utstyret i god stand.
- Ikke tukle med sikkerhetsinnretninger. Kontroller at de fungerer som de skal.
- Vri nøkkelen til «AV»-posisjonen før du tømmer gressrennen.
- Tøm aldri gressrennen med maskinen i gang. Vri nøkkelen til «AV»-posisjonen og sørg for at knivene har stoppet før rengjøring. Bruk en pinne for å tømme en tett gressrenne. Bruk aldri hånden!
- Stopp enheten og la knivene stanse før du tømmer rennen. Komponenter i gressoppsamlingssystemet er utsatt for slitasje, skade og forringelse, noe som kan avsløre bevegelige deler eller tillate gjenstander å kastes av. Sjekk komponentene ofte og skift ut med produsentens anbefalte deler, når det er nødvendig.
- Vær forsiktig når du arbeider under dekk siden klipperbladene er ekstremt skarpe. Bruk hansker og vær ekstra forsiktig når du utfører service på dem.
- Bruk bare ekte Cramer klipperdeler for å sikre at originale standarder opprettholdes.
- Ta alltid ut batteriene når du transporterer enheten. Hold enheten fri for gress, løv og annet rusk.
- Kontroller bremsefunksjonen ofte. Juster og vedlikehold etter behov.
- Vedlikehold eller bytt sikkerhets- og instruksjonsmerker, om nødvendig.
- Sørg for å få utført service på kjøregressklipperen hos en kvalifisert reparatør og utelukkende ved bruk av identiske reservedeler. Dette vil sikre at sikkerheten til kjøregressklipperen opprettholdes.
- Lad bare med laderen som er spesifisert av produsenten. En lader som passer for én type batteripakke, kan skape fare for brann når den brukes med andre batteripakker.

## 8 TRANSPORT OG OPPBEVARING

### 8.1 TRANSPORT

#### ▲ ADVARSEL

Vær ekstra forsiktig når du laster eller lossers maskinen i en tilhenger. Trykk på lavhastighetsknappen og flytt kjørespakene forsiktig etter behov for å kontrollere hastigheten. Alltid rygg opp på tilhengeren når du laster den. Når du laster eller lossers gressklipperen, må du ikke overskride den maksimale anbefalte driftsvinkelen på 15°. Unnlattelse av å følge disse instruksjonene kan føre til tap av kontroll og lede til død, alvorlig personskade eller skade på eiendom.

#### ▲ ADVARSEL

Vær forsiktig når du laster eller lossers klipperen på en tilhenger. Sørg for at klippedekket er hevet til høyeste posisjon slik at det ikke sitter fast på rampen. Hjulene på gressklipperen kan gå av rampen eller tilhengeren, noe som fører til at gressklipperen svinger eller velter, og resulterer i en knusefare som kan forårsake død eller alvorlig personskade.

1. Parker gressklipperen på et jevnt underlag.
2. Løft klippedekket til høyeste posisjon.
3. Plasser og fest rampen til tilhengeren i henhold til produsentens instruksjoner.

## i MERK

Vi anbefaler at du bruker en lasterampe i full bredde som er minst én fot bredere enn gressklipperen for å minimere risikoen for at gressklipperens hjul går av rampens side.

4. Trekk gressklipperen sakte tilbake på rampen og inn i tilhengeren.
5. Senk klipperdekket helt.
6. Aktiver parkeringsbremsen.
7. Slå av gressklipperen og fjern nøkkelen.
8. Fest gressklipperen etter behov med stropper eller kabler for å forhindre bevegelse under transport.

## ▲ ADVARSEL

For å unngå utilsiktet start eller bevegelse som kan føre til alvorlig personskade, må du alltid fjerne startnøkkelen og stille inn parkeringsbremsen når du transporterer gressklipperen.

## 8.2 RENGJØRING OG OPPBEVARING

### 8.2.1 RENGJØRE MASKINEN

- Fjern eventuell opphoping av gress og blader på eller rundt motordekkselet (Ikke bruk vann fra en høytrykkspistol til å skylle motoren).
- Tørk av og til klipperen ren med en tørr klut.
- Hvis det samler seg rusk på undersiden av klipperen under bruk, må du stoppe motoren, slå av maskinen og skrape den ren med et passende verktøy.

### 8.2.2 RENGJØRE KLIPPEDEKKET

Se figur 20

- Sett parkeringsbremsen inn i parkeringssporene.
- Juster klipperens dekkhøyde til den laveste.
- Fest den medfølgende skiveport-hurtigkoblingen til hageslangen.
- Fest hageslangen med hurtigkobling for å vaske porten på klipperdekket. Skiveporten er på venstre side av klipperdekket.
- Slå på vannet.
- Trekk i PTO-bryteren for å starte klippeknivene og juster knivhastigheten til den høyeste.
- Skyll vann under dekk i omtrent ett minutt.
- Koble fra gressklipperbladene ved å skyve PTO-bryteren nedover.
- Slå av vannet og fjern hageslangen og hurtigkoblingen fra skiveporten.
- Fjern hurtigkoblingen fra hageslangen og oppbevar for fremtidig bruk.
- Slå gressklipperen helt av.

### 8.2.3 OPPBEVAR MASKINEN

Følgende tiltak bør iverksettes for å klargjøre maskinen for oppbevaring.

- Rengjør maskinen som beskrevet i forrige avsnitt.
- Inspiser knivbladet og bytt det ut eller skjerp det om nødvendig (se avsnittet Vedlikehold).
- Ikke oppbevar maskinen ved siden av etsende materialer, for eksempel gjødsel eller steinsalt.
- Oppbevar maskinen utilgjengelig for barn.
- Ikke dekk maskinen med et solid plastark. Plastbelegg fanger fuktighet rundt maskinen, noe som forårsaker rust og korrosjon.
- Sjekk grundig etter slitte eller skadede deler som må byttes ut, og bestill dem fra forhandleren.
- Ta kontakt med servicesenteret for å smøre maskinen grundig.
- Lad batteriene helt opp og få utført service på dem.
- Ikke tøm luften fra dekkene.
- Maskinen skal oppbevares på et godt ventilert, rent og tørt sted, da batteriladeren ikke kan brukes i våte omgivelser.

- Hold alltid batteriene fulladet. Det er spesielt viktig å forhindre batteriskader når temperaturen er under 32 ° F (0 ° C).
- Fest laderadapteren til ladeporten og batteriene i henhold til delen Ladeadapter i delen Elektrisk system.
- Koble laderen til en skikkelig stikkontakt. Se delene Batterilader, Batterilading og Ladeanbefalinger i delen Elektrisk system for mer informasjon om bruk av laderen og lading av batteriene.
- For å maksimere batterilevetiden er det best å fullade batterier i kort tid etter hver bruk.

## 8.2.4 FORBEREDE PÅ BRUK ETTER OPPBEVARING

Følgende tiltak bør iverksettes før du bruker gressklipperen etter at den har vært i oppbevaring:

- Lad batteriene helt opp.
- Kontroller dekktrykket og blås opp etter behov.
- Kjør gressklipperen kort og kontroller alle systemer og komponenter for å sikre at de fungerer som de skal.

## 9 FEILSØKING

PROBLEM	MULIG ÅRSAK	LØSNING
Kjøretøyet vil ikke bevege seg.	Batterirommet er ikke satt inn i batteripakken eller en ikke- Cramer designert batteripakke.	For å sikre normal drift av kjøretøyet, skal minst ett stk Cramer av angitte batteripakkeprodukter plasseres i batterirommet.
	Batteripakken er ikke ladet.	Sjekk batteripakkens strøm.
	Ingen sitter på setet eller operatørtilstedeværelsesbryteren er ikke lukket.	Forsikre deg om at sjåføren sitter på setet.
	Parkeringsbremsen er aktivert.	Pass på at du kobler fra parkbremsen helt, slik at hjulene kan rotere fritt.
	Batterirommet er i sovende tilstand.	Vri nøkkelbryteren til AV-gir og vent i mer enn fem sekunder før du starter maskinen på nytt.
Plutselig sammenbrudd under kjøring	Batteriet er ikke ladet.	For å sikre normal drift av hele kjøretøyet, er det nødvendig å plassere minst ett stk av Cramer angitte batteripakkeprodukter i batterirommet og sørge for at batteripakken har strøm.
	Ujevne og humpete veier, noe som resulterer i frakobling av operatørtilstedeværelsesbryteren.	Still inn parkeringsbremsen, start maskinen på nytt og skyv joysticken.
	Feil på gasspedalen.	Kontakt Cramer servicepersonale for ettersalg.
	Drivkontroll sviktet.	Kontakt Cramer servicepersonale for ettersalg.
Bladet fungerer ikke etter at du har trukket PTO-bryteren.	Batterirommet settes ikke inn i batteripakken som er spesifisert av Cramer.	For å sikre normal drift av hele kjøretøyet, er det nødvendig å plassere minst ett stk av Cramer angitte batteripakkeprodukter i batterirommet og sørge for at batteripakken har strøm.
	Batteristrømmen er lavere enn 5 %.	Kontroller batteristrømmen. Hvis batteristrømmen er lav, må du lade batteriet.
	Operatørtilstedeværelsesbryteren er ikke lukket.	Sørg for at sjåføren sitter på setet.
	Bladbryteren (PTO) er ikke i startposisjon før den slås på.	Trykk på PTO og trekk den opp igjen.
	Blokking av bladmotor eller annen funksjonell beskyttelse.	Kontroller at det ikke er ugress og andre fremmedlegemer ved forbindelsen mellom knivbladet og motoren for å sikre jevn bladrotasjon. Det anbefales å trekke opp dekket og starte knivbladet før du justerer dekket til ønsket utstyr.
	Gangkontrollen fungerer ikke.	Kontroller at det ikke vises noen annen feil på skjermen.
Bladet stopper når du klipper gress.	Bladkontrolleren fungerer ikke.	Sjekk feilkoden som vises på skjermen.
	Overbelastning av bladmotor.	Rengjør innsiden av dekket, sørg for at det ikke er unormal bladrotasjon, trykk på PTO, start maskinen på nytt og reduser bladbelastningen, enten ved å heve høyden på klippedekket eller redusere kjørehastigheten.
	Batteripakkens temperatur er for høy.	Ikke bruk den umiddelbart etter at ladingen er fullført, ellers kan det utløse en feilmelding om temperaturbeskyttelse for batteripakken.
	Batteristrømmen er lavere enn 5 %.	Batteripakkens strøm er lav. Lad opp batteriet.



PROBLEM	MULIG ÅRSAK	LØSNING
	Knivbladet blir truffet av en fremmed gjenstand, noe som forårsaker en plutselig stopp.	Vri nøkkelen til AV-posisjon og vent i mer enn fem sekunder før du starter maskinen på nytt.
	Drivkontrollen fungerer ikke.	Sjekk feilkoden som vises på skjermen.
Klipperen kutter gresset ujevnt, og høydeforskjellen er veldig stor.	Knivbladet er sløvt.	Poler knivbladet i henhold til håndboken.
	Knivbladet er bøyd.	Bytt ut det bøyde knivbladet, bytt ut knivbladet i henhold til instruksjonene, og bruk verneutstyr.
	Dekket er ikke flatt.	Gjør dekket flatt i henhold til instruksjonene for å sikre at venstre og høyre høyde er like.
Den faktiske klippehøyden samsvarer ikke med den valgte klippehøyden.	Løse dekkets festebolter.	Juster festeboltene på dekk for å sikre at den er godt installert. Merk: Dekket må nivelleres på nytt etter justering av monteringsboltene.
	Dekket er alvorlig slitt eller skadet.	Bytt ut et nytt dekk.
Unormal maku- lering for kjøretøy	Plenen er for våt.	Før du klipper, vennligst sjekk gresstilstanden. Hvis gresset er for vått, vent til vinden eller solskinnet tørker det, og vent til plenduggen forsvinner før du klipper.
	Gressklipperen er stilt inn til å klippe for mye gress på en gang.	Hvis gresset er for tett og høyt, må du heve dekket og unngå å klippe tungt gress så mye som mulig.
For mye maskin- vibrasjon	Knivbladene er sløve.	Poler knivbladet i henhold til metoden i håndboken.
	Knivbladene er bøyd.	Bytt ut det bøyde knivbladet, vær oppmerksom på riktig utskifting av knivbladet i henhold til instruksjonene, og bruk vernehansker.
	Ujevnt dekk.	Gjør dekket flatt i henhold til instruksjonene for å sikre at venstre og høyre høyde er like.
	Løse dekket.	Lås dekkets faste bolter.
	Gressklipperen er stilt inn til å klippe for mye gress på en gang.	Hvis gresset er for tett og høyt, løft dekket og prøv å unngå å kutte tungt gress.
Gress, blader eller rusk blir igjen på bakken etter klipping.	Gressklipperen er stilt inn til å klippe for mye gress på en gang.	Hvis gresset er for tett og høyt, løft dekket. Hvis gresset er høyere enn 15 cm, bruk to klippesykluser for å oppnå klippeeffekten, og prøv å unngå å klippe tungt gress.
	Gresset er for vått.	Kontroller gressets tilstand før klipping. Hvis gresset er for vått, vent til vinden eller solskinn tørker det, og vent til plenduggen forsvinner før du klipper.
	Kjørehastigheten er for høy.	Senk kjørehastigheten.
	Knivbladshastigheten er for lav.	Øk hastighetsnivået til knivbladet.
Kort klippevarighet	Klipping av tungt gress kan resultere i kort klippetid.	Hvis du hever dekket eller reduserer knivhastigheten, kan klipperens brukstid økes på én lading.
Løpsk gressklipper	Forskjellig dekktrykk	Kontroller gressklipperens bakre dekktrykk regelmessig i henhold til håndboken.
Kjøretøyet starter ikke etter vask.	Feil rengjøring, for eksempel vann inn i LED-skjermen, batterirommet og andre elektroniske komponenter.	<ol style="list-style-type: none"> <li>1. Følg instruksjonene for å rengjøre maskinen.</li> <li>2. Hvis kjøretøyet ved et uhell blir gjennomvått, må du sette kjøretøyet på et tørt sted i tolv timer eller tørke det før bruk.</li> <li>3. Kontakt Cramer servicepersonale for ettersalg.</li> </ol>
Gressklipperen er blokkert.	Ugress og søppel hopet seg opp på dekk.	Følg instruksjonene for å rengjøre maskinen hver gang etter at du har brukt maskinen.

PROBLEM	MULIG ÅRSAK	LØSNING
I parken glir maskinen raskt i skråningen og sklir.	Alvorlig slitasje på dekkene.	Kontakt ettersalgspersonalet for å bytte dekkene.
	Den elektromagnetiske bremsen er skadet eller fryktelig slitt.	Kontakt ettersalgspersonalet for å bytte ut den elektromagnetiske bremsen.
	Elektromagnetisk brems frigjøres manuelt.	Kontroller den elektromagnetiske bremsen og still den tilbake til startposisjonen.

## 10 TEKNISKE DATA

Modell nr.	<b>82LT107</b>
Spenning	82 V
Brutto kjøretøysvekt	106±3 kg
Lengde	170 cm
Høyde	117 cm
Bredde (med utslipp)	135 cm
Bredde (uten utslipp)	107 cm
Dekkbredde	107 cm
Hastighet fremover	0-8 mpt
Revershastighet	0-3 mpt
Klippehøydeområde	3.81-11.4 cm
Justeringsnivå for klippehøyde	7 stk
Hastighet uten belastning	2400/3000/3200 RPM
Ladetid	4 h (med 8 En lader)
Motorkraft	1.2 kW (bladmotor)
	1.2 (drivmotor)
MAKS. skråning	15°
Antall blader (utløp/mulch)	2 stk.
Målt lydtryknivå	$L_{pA} = 84.77 \text{ dB(A)}$ , $K_{pA} = 3 \text{ dB(A)}$
Målt lydeffektnivå	$L_{wA} = 98.24 \text{ dB(A)}$
Garantert lydeffektnivå	$L_{wA,d} = 100 \text{ dB(A)}$
Vibrasjon	Armer: $\leq 2.5 \text{ m/s}^2$ , $K = 1.5 \text{ m/s}^2$
	Kropp: $\leq 2.5 \text{ m/s}^2$ , $K = 1.5 \text{ m/s}^2$

## 11 BEGRENSET GARANTI

### 11.1 HVA DEKKES AV DENNE GARANTIEN

Cramer gir kun følgende garanti til den opprinnelige kjøperen («Eieren») – garantien kan ikke overføres:

**A. Boligbruk:** Cramer produkter som brukes til vanlige boligformål\* er garantert i fem (5) år eller 1500 timers total bruk (avhengig av hva som inntreffer først) fra kjøpsdatoen på alle materialer og utførelse av chassis, dekk og batterier. Forbruksvarer som dekk og kniver er garantert i tretti (30) dager fra kjøpsdatoen. Hvis eieren oppdager en defekt i materialer eller utførelse innenfor denne garantiperioden:

- Eier må straks varsle Cramer eller en autorisert forhandler skriftlig eller via e-post, telefonsamtale, app eller personlig om mangelen. Under ingen omstendigheter skal slik melding mottas av Cramer, eller en autorisert forhandler, senere enn fem (5) år fra kjøpsdatoen.
- Innen rimelig tid etter slik varsling og verifisering av garantigyldig defekt Cramer vil rette opp eventuelle feil i materiale eller utførelse på Cramer produkt ved, etter eget valg, å reparere eller erstatte del(er) med enten nye eller brukte reservedeler.
- Slik reparasjon, herunder deler og arbeid, skal gå på bekostning av Cramer bare den opprinnelige eieren.

**B. Kommersiell bruk:** Cramer produkter som brukes til kommersiell og institusjonell bruk er garantert i fem (5) år eller 1500 timers total bruk (avhengig av hva som inntreffer først) fra kjøpsdatoen på alt materiale og utførelse av chassis, dekk og batterier. Forbruksvarer (inkludert men ikke begrenset til dekk og blader) er garantert i tretti (30) dager fra kjøpsdatoen. Hvis eieren oppdager en defekt i materialer eller utførelse innenfor denne garantiperioden:

- Eier må straks varsle Cramer eller en autorisert forhandler skriftlig, via e-post, telefonsamtale, app eller personlig om defekten. Under ingen omstendigheter skal slik melding mottas av Cramer, eller en autorisert forhandler, senere enn fem (5) år fra kjøpsdatoen.
- Innen rimelig tid etter slik varsling og verifisering av garantigyldig defekt Cramer vil rette opp eventuelle feil i materiale eller utførelse på Cramer produkt ved, etter eget valg, å reparere eller erstatte del(er) med enten nye eller brukte reservedeler.
- Slik reparasjon, herunder deler og arbeid, skal gå på bekostning av Cramer bare den opprinnelige (kommersielle) eieren.

## i MERK

Unnlattelse av å vedlikeholde batteriene og holde dem fulladet vil redusere batterilevetiden og ugyldiggjøre batterigarantien. Bestemmelsene i denne begrensede garantien skal ikke gjelde for feil på grunn av:

- Misbruk eller omsorgssvikt som: vannskade, løse ledninger eller rustet eller korrodert maskinvare.
- Mangel på riktig vedlikehold; skade forårsaket av feil installasjon av batteriet; omsorgssvikt, brudd, eksponering for ekstreme temperaturforhold, inkludert men ikke begrenset til frysende temperaturer, varme temperaturer, nærhet til varmekilder inkludert varmeovner eller brann, eksponering for vann eller andre stoffer, vrak, drift av batteriet i en overladet eller uladet tilstand.
- Et batteri ladet av andre systemer enn den originale utstyrstypen batterilader.

**Fotnote:** *"Normale boligformål", som brukt her, betyr bruk av produktet på samme tomt som hjemmet ditt. Bruk på mer enn ett sted regnes som kommersiell bruk, hvorefter garantien for kommersiell bruk gjelder.*

## 11.2 HVEM SKAL UTFØRE GARANTISERVICEN

All garantiservice skal utføres av en Cramer autorisert forhandler eller Cramer autorisert servicetekniker. Serviceanrop og/eller transportkostnader for produktet til og fra den autoriserte forhandleren, for garantiarbeid, betales av eieren av produktet. For garantiservice, kontakt en autorisert forhandler.

## 11.3 HVA DEKKES IKKE AV DENNE GARANTIE

Cramer garanterer ikke:

- Reparasjoner utført av uvedkommende.
- Skader som skyldes bruk av Cramer produktet for andre formål enn de det ble designet for.
- Skader forårsaket av katastrofer som brann, flom, vind og lynnedslag.
- Skader forårsaket av omsorgssvikt, misbruk, unormal bruk, feil eller urimelig bruk, ulykke, uaktsomhet eller misbruk som vannskade.
- Reparasjoner eller utskifting som følge av bruk av uautoriserte deler, tilbehør eller vedlegg.
- Reparasjoner eller erstatning som følge av eventuelle endringer eller modifikasjoner, ved fastsettelse av Cramer, som påvirker utstyrets drift, ytelse eller holdbarhet negativt.
- Produkter, komponenter eller deler som ikke er produsert av Cramer.
- Produkter som har fått sin identifikasjon endret, inkludert, men ikke begrenset til, serienumre fjernet og/eller gjort uleselige.
- Avskrivning eller skade forårsaket av normal slitasje, mangel på rimelig og riktig vedlikehold, manglende overholdelse av produktets brukerhåndbok for bruk, vedlikehold og justering eller andre driftsinstruksjoner gitt av Cramer.

- Normalt vedlikeholdsdeler og service, inkludert, men ikke begrenset til, smøremidler, tune-up deler, kniver, knivsliping, lagre, bremse- eller styrejusteringer.
- Produkter med ikke-godkjent programmering for det produktet, inkludert endringer i parametere, ettermarkedsprogrammering eller justeringer, eller enhver ikke-godkjent modifikasjon av komponenter, elektronikk eller programvare.

## 11.4 FRASKRIVELSE AV GARANTI

De foregående garantiene er i stedet for alle andre garantier, uttrykte eller underforståtte, inkludert, men ikke begrenset til, underforståtte garantier for salgbarhet og egnethet for et bestemt formål. Men hvis Cramer produktet kjøpes som et forbrukerprodukt, er enhver underforstått garanti for salgbarhet eller egnethet for et bestemt formål begrenset til varigheten av denne begrensede garantien. Noen stater tillater ikke begrensninger på hvor lenge en underforstått garanti varer, så begrensningene ovenfor gjelder kanskje ikke for deg. Denne garantien gir deg spesifikke juridiske rettigheter, og du kan også ha andre rettigheter som varierer fra stat til stat.

## 11.5 BEGRENSNING AV RETTSMIDLER

Ikke i noe tilfelle skal Cramer være ansvarlig for noen spesielle, tilfeldig skader eller følgeskader basert på garantibrudd, kontraktsbrudd, uaktsomhet, strengt erstatningsansvar eller annen juridisk teori. Slike skader inkluderer, men er ikke begrenset til:

- Tap av profitt
- Tap av besparelser eller inntekter
- Tap av bruk av Cramer Produkt eller annet tilknyttet utstyr
- Kostnad for kapital
- Kostnad for erstatningsutstyr, fasiliteter, tjenester eller nedetid
- Krav fra tredjeparter, inkludert kunder, og skade på eiendom

## 11.6 TIDSBEGRENSNING

Med mindre statlig lov bestemmer noe annet:

NO  
Enhver handling for brudd på garantien må påbegynnes innen fem (5) år eller seksti (60) måneder fra kjøpsdatoen i en bolig- og / eller kommersiell applikasjon.

I tilfelle produksjonsdatoen overskrider en rimelig tidsramme før første kundekjøp, Cramer Garantien kan være underlagt ytterligere begrensninger.

## 11.7 INGEN ANDRE GARANTIER

Denne avtalen er forstått å være den fullstendige og eksklusive avtalen mellom partene, som erstatter alle tidligere avtaler, muntlig eller skriftlig, og all annen kommunikasjon mellom partene knyttet til emnet for denne avtalen.

## 11.8 EIERS ANSVAR

Du må vedlikeholde Cramer produktet ved å følge vedlikeholdsprosedyrene beskrevet i brukerhåndboken. Slik rutinemessig vedlikehold, enten utført av en forhandler eller av deg, er for din regning.

Denne maskinen, som alt annet drevet utstyr, er potensielt farlig med mindre den brukes på riktig måte. Enhver operatør må være forsiktig og alltid ha sikkerheten i tankene. Enhver operatør, før du bruker Cramer produktet, gjøre seg grundig kjent med brukerhåndboken angående drift og sikkerhet for maskinen, samt alle sikkerhetsadvarsler på selve maskinen.

## 11.9 ALLOKERING AV RISIKO

Denne avtalen fordeler risikoen for produktfeil mellom Cramer og eieren. Denne allokeringen er anerkjent av begge parter og reflekteres i prisen på varene.

## 11.10 GARANTIREGISTRERING

Med mindre statlig lov bestemmer noe annet:

1. Eierne må registrere enheten hos Cramer innen ti (10) dager etter kjøpsdato.
2. Registrering kan fylles ut ved å fylle ut garantiregistreringsskjemaet, som er gitt i brukerhåndboken.

3. Påmelding kan også fylles ut ved å bruke nettbaserte skjemaer på [cramertools.com](http://cramertools.com) eller ved å bruke appen og fremlegge kjøpsbevis (kvittering inkludert kjøpsdato).

## 12 EF-SAMSVARSERKLÆRING

Navn og adresse til produsenten:

Navn: Greenworks Tools Europe GmbH  
Adresse: Brunnenweg 17, 64331 Weiterstadt, Tyskland

Navn og adresse til person med autorisasjon til å utarbeide den tekniske dokumentasjonen:

Navn: Ralf Pankalla  
Adresse: Brunnenweg 17, 64331 Weiterstadt, Tyskland

Vi erklærer herved at produktet

Kategori: Plentraktor  
Modell: 82LT107  
Serienummer: Se typeetikett på produkt  
Produksjonsår: Se typeetikett på produkt

- er i samsvar med de relevante bestemmelsene i maskindirektivet 2006/42/EF.
- er i samsvar med bestemmelsene i følgende andre EF-direktiver:
  - 2014/30/EU
  - 2011/65/EU og (EU)2015/863

I tillegg erklærer vi at følgende (deler/paragrafer) i de harmoniserte EU-standardene har vært brukt:

- EN 62841-1, EN ISO 5395-1, EN ISO 5395-3, EN ISO 14982, IEC 62321-3-1, IEC 62321-4, IEC 62321-5, IEC 62321-6, IEC 62321-7-1, IEC 62321-7-2, IEC 62321-8

Sted, dato: 11.11.2022

Signatur: Ted Qu, Kvalitetsdirektør

Ted Qu

<b>1</b>	<b>Beskrivelse.....</b>	<b>247</b>	7.3	Dæk.....	258
1.1	Oversigt.....	247	7.4	Smøring.....	258
1.2	Kontrolpanel.....	247	7.5	Drejningsmomentværdier.....	259
<b>2</b>	<b>Pak maskinen ud.....</b>	<b>247</b>	7.6	Vedligeholdelse af batteripakken.....	259
<b>3</b>	<b>Installation.....</b>	<b>248</b>	7.7	Vedligeholdelse af batterirumsfilter.....	259
3.1	Montering af sædet.....	248	7.8	Serviceering.....	259
3.2	Monter rattet.....	248	<b>8</b>	<b>Transport og opbevaring.....</b>	<b>260</b>
3.3	Sæt dækslet på jorddækningsenheden.....	248	8.1	Transport.....	260
3.4	Skånende hjul.....	248	8.2	Rengøring og opbevaring.....	261
3.5	Brug appen.....	249	<b>9</b>	<b>Troubleshooting.....</b>	<b>263</b>
<b>4</b>	<b>Betjeningsvejledning.....</b>	<b>249</b>	<b>10</b>	<b>Technical data.....</b>	<b>265</b>
4.1	Før brug.....	249	<b>11</b>	<b>Begrænset garanti.....</b>	<b>265</b>
4.2	Brug af maskinen.....	250	11.1	Hvad er dækket af denne garanti.....	265
<b>5</b>	<b>Elektrisk system.....</b>	<b>253</b>	11.2	Hvem er ansvarlig for garantiservicen.....	266
5.1	Sikkerhed omkring det elektriske system.....	253	11.3	Hvad er ikke dækket af denne garanti.....	266
5.2	Oplysninger om det elektriske system.....	253	11.4	Fraskrivelse af garanti.....	267
5.3	Digital skærm.....	253	11.5	Begrænsning af retsmidler.....	267
<b>6</b>	<b>Fejl.....</b>	<b>254</b>	11.6	Tidsfrist.....	267
6.1	Fejlkode.....	255	11.7	Ingen andre garantier.....	267
<b>7</b>	<b>Vedligeholdelse.....</b>	<b>257</b>	11.8	Ejerens ansvar.....	267
7.1	Vedligeholdelse af plæneklipperens klinger.....	257	11.9	Fordeling af risici.....	267
7.2	Udskift forlygten.....	258	11.10	Garantiregistrering.....	267
			<b>12</b>	<b>EF-</b>	
				<b>overensstemmelseserklæring</b>	<b>268</b>

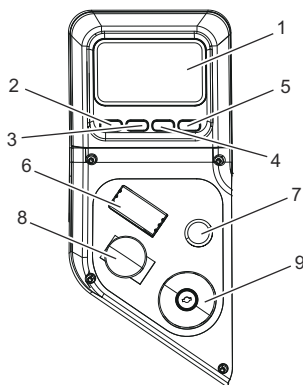
## 1 BESKRIVELSE

### 1.1 OVERSIGT

Se separat figurark 1-20

- |                                     |                          |
|-------------------------------------|--------------------------|
| 1 Sædejusteringshåndtag             | 17 Rat                   |
| 2 Sideudstødning                    | 18 Dækplade              |
| 3 Bremsedal                         | 19 Mulchdække            |
| 4 Kontrolpanel                      | 20 Lejring               |
| 5 Håndtag til justering af dækhøjde | 21 Fastgørelsesklemmer   |
| 6 Gaspedal                          | 22 Serienummer           |
| 7 Håndtag til parkeringsbremse      | 23 Parringskode          |
| 8 Forlygter                         | 24 QR-kode               |
| 9 Kopholder                         | 25 Batterirum            |
| 10 USB-port                         | 26 Batteri               |
| 11 Skånende hjul                    | 27 Lås til batteri       |
| 12 Sædepanel                        | 28 Klinge                |
| 13 Sædestik                         | 29 Oliepåfyldningsåbning |
| 14 Styretøjsaksel                   | 30 Afløb til oliedræning |
| 15 Koblingsstykke                   | 31 Haveslange            |
| 16 Ratstamme                        | 32 Hurtigkobling         |
|                                     | 33 Vaskeport             |

### 1.2 KONTROLPANEL



#	Navn	Funktion
1	Digital skærm	Denne skærm viser vigtige oplysninger om det elektriske system. Du kan finde flere oplysninger i afsnittet om el-systemet.
2	Fartpilot til klingemotoren/Retur	Juster klingehastigheden (periodisk), når den vises på startsiden. Tryk på knappen for at vende tilbage til den forrige side.
3	Menunavigation / Side op	Sæt den digitale skærm på sidste side. Tilbage til startskærmen.
4	Kontakt til lygterne/ Side ned	Tænd/sluk lygterne, når de vises på startsiden. Sæt den digitale skærm på næste side.
5	Fartpilot-knap/ Bekræft	Hold knappen nede i mindst 0,4 sekunder, for at slå fartpiloten til. Tryk på knappen, for at bekræfte et valg.
6	Retningsskontakt	Plæneklipperens køreretning styres med retningskontakten. Kontakten kan sættes på Kørsel (D), Neutral (N) og Bak (R).
7	Knap til baglæns klipning	For at klippe baglæns, skal knappen til baglæns klipning slås til.
8	Tænd/sluk-knap	Denne kontakt bruges til, at tænde og slukke for plæneklipperen. Nøglen skal sætte i, før kontakten kan bruges.
9	Tænd/sluk-kontakt til dækklingerne (PTO)	Denne kontakt starter klingemotorerne. Tryk kontakten op for, at starte motorerne og tryk kontakten ned for, at stoppe dem.

#### **i** VIGTIGT

Klingemotorerne må aldrig startes, når dækket er under belastning. Motorerne eller dækket kan blive beskadiget.

## 2 PAK MASKINEN UD

### ▲ ADVARSEL

Sørg for, at samle maskinen korrekt før brug.

### ▲ ADVARSEL

- Hvis dele af maskinen beskadiges, må den ikke bruges.
- Hvis der mangler nogen dele, må maskinen ikke bruges.
- Hvis dele er beskadiget eller mangler, skal du kontakte servicecenteret.

1. Åbn pakken.
2. Læs dokumentationen, der følger med i pakken.
3. Tag alle ikke-monterede dele ud af pakken.
4. Tag maskinen ud af pakken.
5. Bortskaf pakken og emballagen i overensstemmelse med lokale bestemmelser.

## ▲ ADVARSEL

Af hensyn til din sikkerhed, må batteriet ikke sættes i, før værktøjet er samlet helt.

## 3 INSTALLATION

### 3.1 MONTERING AF SÆDET

Se figur 3

1. Placer det samlede sæde over sædepanelet, og sørg for at hullerne er mod hinanden, som vist.
2. Monter bolte, spændeskiver og møtrikker og spænd dem ordentligt.
3. Sæt mufferne på møtrikkerne.
4. Sørg for, at den sidder sikkert.
5. Slut sædestikket til maskinen.

### 3.2 MONTER RATTET

Se figur 4-5

## i BEMÆRK

Sørg for, at slidsen vender opad mod sædet.

1. Sæt styreakslen i koblingen og drej den efter behov, så hullet i akslen er ud for bolthullet i koblingen.
2. Monter de to bolte, og spænd dem godt fast.

## i BEMÆRK

Drej boltene til den angivne værdi.

3. Monter ratstammen. Hold øje med tapperne på bunden af ratstammen, der skal passe ind i hullerne i åbningen, og sørg for, at ratstammen sidder ordentligt fast.
4. Sørg for, at plæneklipperens hjul peger lige fremad, og sæt derefter rattet på, ved at trykke det fast på ratstammen.
5. Sæt bolten og skiven på, og spænd dem ordentligt.
6. Montering af dækslet på rattet.

### 3.3 SÆT DÆKSLET PÅ JORDDÆKNINGSENHEDEN

Se figur 6

Plæneklipperen er konfigureret til, at bruge sideudstødningen, når den sendes fra fabrikken. Hvis jorddækning ønskes:

1. Placer dækslet til jorddækningsenheden på tappen på plæneklipperens kabinet.
2. Sæt hullerne i dækslet til jorddækningsenheden og hullerne på plæneklipperens kabinet mod hinanden.
3. Sæt boltene, skruerne, klemmerne og lejeringen på og spænd dem fast, som vist.

### 3.4 SKÅNENDE HJUL

Se figur 2

De skånende hjul er standard på Cramer enhederne. Disse hjul er designet til at minimere oprivning, når maskinen klipper hårdt og ujævnt terræn. Når du har indstillet klippehøjden, skal du justere hjulene, så de rækker ud under



dækket, men ikke kommer i kontakt med jorden. De skal altid være mindst 0,6 cm til 1,9 cm under dækket. Med enheden på en flad og plan overflade, kan hjulenes position justeres op eller ned efter behov fra 1,9 cm til 4,4 cm under klingens overflade. Flyt hjulene op eller ned - brug de forskellige akselmonteringshuller i hjulmonteringsbeslaget (hvis relevant på modellen).

## 3.5 BRUG APPEN

Se figur 7-8

1. Gå på Fleet Management's hjemmeside: [fleet.cramertools.com](http://fleet.cramertools.com)
2. Opret en konto, og log derefter ind.
3. Inviter andre brugere i organisationen.
4. Scan QR-koden, download appen og log ind.
5. Tilføj en enhed. Find serienummeret, parringskoden og QR-koden på køretøjets mærkat i denne vejledning. Scan QR-kode, eller indtast manuelt.

## 4 BETJENINGSVEJLEDNING

### 4.1 FØR BRUG

#### 4.1.1 JUSTER SÆDET

Se figur 9

Juster sædets positionen, så du har fødderne ordentligt på speederen og bremsepedalen, før plæneklipperen tages i brug.

1. Sæt på sædet, og tryk håndtaget til sædejustering opad.
2. Skub sædet til den ønskede position samtidig med, at du holder håndtaget oppe.
3. Slip håndtaget, og sørg for, at sædet er låst på plads, før plæneklipperen tages i brug.

#### ▲ ADVARSEL

Sørg for, at sædet er låst på plads, før plæneklipperen tages i brug. Et sæde, der ikke låst på plads, kan flytte sig så føreren mister kontrollen over plæneklipperen, hvilket kan være livsfarligt eller føre til alvorlige personskader.

#### 4.1.2 JUSTER DÆKKETS KLIPPEHØJDE

Se figur 10

Før du bruger plæneklipperen, skal du hæve dækket til klippeindstillingen, der passer bedst til din græsplæne.

Dækkets højde kan justeres fra 3.81-11.4 cm. Dækket skal hæves, når plæneklippningen kører for at undgå stubbe, sten eller andre forhindringer, der kan beskadige plæneklipperen.

#### ▲ FORSIGTIG

Hold ordentligt fast i justeringshåndtaget til dækhøjden, når dækhøjden justeres, og slip først når dækket er fastgjort i den ønskede højde. Hvis håndtaget slippes for hurtigt, kan førerens hånd komme i klemme eller trækkes væk.

1. Stop plæneklipperen og frigør klingerne.
2. Sluk nøglen, og træk parkeringsbremsen.
3. For at hæve klippedækket, skal justeringshåndtaget til dækhøjden trykkes til venstre, så det løsnes fra rillen. Tryk det derefter mod plæneklipperens bagende, og tryk det til højre ind i en af rillerne.
4. For at sænke klippedækket, skal justeringshåndtaget til dækhøjden trykkes til venstre, så det løsnes fra rillen. Tryk det derefter mod plæneklipperens forende, og tryk det til højre ind i en af rillerne.

#### 4.1.3 SÆT BATTERIPAKKEN I

Se figur 11

For at se, om plæneklipperens batterierne er ladet helt op, skal du se indikatoren til batteriniveauet. Se batterimanualen for at få flere oplysninger.

1. Løft sædepanelet.
2. Løft dækslet til batterirummet.
3. Sæt batteriet i batterirummet.

## ▲ ADVARSEL

Sæt batteriets riller med batterirummet. Sørg for, at batterilåsen klikkes fast i batterirummet.

### 4.1.4 FØR MASKINEN TAGES I BRUG

- Sørg for, at der ikke er nogen børn, omkringstående personer eller kæledyr i arbejdsområdet.
- Ryd arbejdsområdet for genstande, der kan slynges væk af plæneklipperen.
- Kontroller bremsedriften.
- Kontroller dæktrykket.
- Se, om der er løse fastgørelseselementer på plæneklipperen.
- Se, om alle skærme er på plads og om de virker ordentligt.
- Rengør plæneklipperen for skidt.
- Test låsesystemet.
- Juster sædet til den ønskede position.
- Kontroller batteriets opladningsniveau.

### 4.1.5 SIKKERHEDSLÅSESYSTEM

Se figur 12

Denne plæneklipper er udstyret med et låsesystem, der beskytter brugeren ved at stoppe klingerne, hvis brugeren forlader sædet, når klingerne kører. Test systemet før hver brug for at sikre, at det fungerer korrekt.

1. Sørg for, at retningskontakten er i neutral (N), og at PTO-kontakten er trykket ned.
2. Sæt nøgle i og tænd den.
3. Løsn parkeringsbremsen.
4. Løft PTO-kontakten for at aktivere knivene.
5. Let dig kortvarigt fra sædet, men stig ikke af plæneklipperen.

Klangerne skal stoppe inden for 5 sekunder. Hvis de ikke gør det, skal du kontakte vores kundeservice. Brug ikke plæneklipperen, før låsesystemet er blevet repareret.

## 4.2 BRUG AF MASKINEN

### 4.2.1 START MASKINEN

## i BEMÆRK

Sørg for, at der ikke er nogen personer i arbejdsområdet, før plæneklipperen bruges. Hvis nogen kommer ind i arbejdsområdet, skal du straks stoppe plæneklipperen. Den må først startes igen, når personerne har forladt området.

1. Hæv klippedækket helt op.
2. Sæt nøgle i og tænd den.
3. Sæt retningskontakten i neutral (N).
4. Løsn parkeringsbremsen.
5. Træk PTO-kontakten til dækket opad, for at starte klingerne, hvorefter græsset kan klippes.
6. Sæt retningskontakten i "Kørsel" (D), og køр til det ønskede klippested.

## i BEMÆRK

Vær forsigtig, når du krydser grusstier eller indkørsler. Før du krydser, skal klingernes frakobles og klippedækket skal hæves helt op, for at minimere chancen for slyngning af genstande. Køр langsomt, så du undgår tab af trækraft og ikke mister kontrollen.

## i BEMÆRK

Undgå, at skifte retning, når plæneklipperen kører. Sørg altid for, at stoppe plæneklipperen helt, før du skifter retning.

### 4.2.2 INDSTILLING AF FARTPILOTEN

1. Tryk på speederen, mens du kører klipperen fremad, indtil den ønskede hastighed er nået.
2. Hold på knappen til fartpilot nede i 0,4 sekunder.
3. Slip speederpedalen. Klipperens hastighed skal forblive konstant.

### 4.2.3 ANNULLERING AF FARTPILOTEN

1. Træd på speederen og på bremsepedalen.

### 4.2.4 INDSTIL PARKERINGSBREMSEN

1. Træd bremsepedalen helt ned og hold den helt nede.
2. Træk håndtaget til parkeringsbremsen op og hold det fast.
3. Slip bremsepedalen.
4. Slip håndtaget til parkeringsbremsen.

## ▲ ADVARSEL

Efterlad aldrig plæneklipperen uden opsyn, når motoren er i gang. Sørg for, at parkeringsbremsen er slået til, og at nøglen er taget ud. Hvis parkeringsbremsen ikke er slået til, kan plæneklipperen bevæge sig. Hvis nøglen ikke tages ud, kan det give mulighed for uautoriseret brug, hvilket kan føre til alvorlige personskader.

### 4.2.5 FRIGIV PARKERINGSBREMSEN

1. Træd bremsepedalen ned for at løsne parkeringsbremsen.

### 4.2.6 STOP MASKINEN

1. Stands plæneklipperen på en flad og jævn overflade.
2. Indstil parkeringsbremsen.
3. Tryk PTO-kontakten ned, for at stoppe klingerne.
4. Sluk nøglen.

### 4.2.7 BAGLÆNS KLIPNING

Se figur 13

- Træd bremsepedalen ned, så plæneklipperen standser helt.
- Tryk PTO-kontakten ned, for at stoppe klingerne.
- Sæt retningskontakten i R (bakgear).
- Tryk på knappen til baglæns klipning.
- Tryk PTO-kontakten opad, tryk langsomt på speederen og kør baglæns efter behov.

## ▲ ADVARSEL

Klip ikke baglæns, medmindre det er absolut nødvendigt. Kig altid nedad og bagud, før og mens du bakker, så du er sikker på, at der ikke kommer børn, tilskuere eller kæledyr ind i klippeområdet. Husk, hvis du blot er uopmærksom i en brøkdal af et sekund, kan det være livsfarligt eller føre til alvorlige skader.

## ▲ ADVARSEL

Vær særlig forsigtig før og når du bakker med posesættet (medfølger ikke) monteret, da det kan begrænse dit udsyn. Kik altid bagud og nedad, og hold øje med små børn, forbipasserende og kæledyr. Kør langsomt, når du bakker, så du undgår ulykker der kan være livsfarligt eller føre til alvorlige personskader.

## 4.2.8 BRUG USB-PORTEN

Se figur 14

USB-opladningsporten oplader med 5 volt jævnstrøm og op til 2,1 ampere, hvilket kan bruges til mobiltelefoner, MP3-afspillere og andre USB-enheder. Se opladningsoplysningerne i brugsvejledningen til din enhed.

Før at oplade din enhed, skal du slutte den ene ende af et USB-kabel (medfølger ikke) til din enhed og den anden ende til USB-opladningsporten på plæneklipperen.

### i BEMÆRK

Hvis du forsøger at oplade enheder, der er klassificeret til mere end 2,1 ampere, kan det beskadige USB-opladningsporten og/eller plæneklipperen.

### i BEMÆRK

USB-porten kan kun forsyne strøm, når maskinen er startet.

### ▲ ADVARSEL

Brug aldrig hovedtelefoner eller elektroniske enheder, såsom en mobiltelefon eller tablet, når du betjener plæneklipperen. Hvis føreren distraheres under kørslen, kan det føre til ulykker, som kan være livsfarligt eller føre til alvorlige skader for føreren eller omkringstående personer.

## 4.2.9 TIPS TIL BRUG

Se figur 15

- Hold klippeknivene skarpe.
- Sørg for, at græsplænen er fri for sten, pinde, ledninger, legetøj, træsnodder, grene og andre genstande, der kan beskadige plæneklipperens klinge eller motor. Du må ikke køre over pæle eller andre metalstolper. Sådanne genstande kan beskadige klingens eller de kan slynges væk af plæneklipperen, hvilket kan føre til alvorlige personskader på brugeren og andre personer.
- Før at få en sund græsplæne, skal du altid klippe en tredjedel eller mindre af græssets samlede længde.
- Hvis du klipper store områder, skal du starte med at dreje til højre, så afklippet græs føres væk fra buske, hegn, indkørsler og lignende. Når du har klippet græsset en eller to gange, skal du klippe i modsat retning med venstrestreng, indtil du er færdig.
- Klip græsset, så det afklippede græs udstødes på det allerede klippede græs.
- Hvis du klipper tæt græs, skal du nedsætte hastigheden, så græsset klippes mere effektivt, og så afklippet græs udstødes ordentligt.
- **Under normal klipning**, skal græsset klippes til ca. 38 mm (1,5 tommer). Det anbefales ikke at klippe græsset mere end det, medmindre græsset er sparsomt, eller det er sidst på sæsonen.
- Slå ikke vådt græs. Vådt græs sætter sig fast på undersiden af dækket, som gør at det afklippede græs ikke kan opsamles eller spredes ordentligt.
- Nyt eller tykt græs skal muligvis klippes i smalle rækker, eller med en højere klippehøjde.
- Hold plæneklipperdækket og sideudstødningen ren. Fjern græsrester, blade, skidt og andet ophobet snavs før og efter hver brug. Plæneklipperen må ikke rengøres med en haveslange.

### i BEMÆRK

Stop plæneklipperen, vent indtil klingerne stopper helt og tag nøglen ud, før plæneklipperen rengøres.

## 4.2.10 BRUG PÅ SKRÅNINGER

Se figur 16

Skråninger er en væsentlig faktor i forbindelse med tab af kontrol og vælteulykker, som kan føre til alvorlige personskader eller dødsfald. Brug på alle skråninger kræver ekstra forsigtighed. Hvis du ikke kan bakke op ad en skråning, eller hvis du føler dig utryk på den, må du ikke klippe den.

- Køb på skråninger i henhold til producentens anbefalinger. Vær forsigtig, når du arbejder i nærheden af faldgruber.

- Maskinen må under ingen omstændigheder bruges på stedet, hvor ordentlig trækraft, styring eller stabilitet ikke kan garanteres. Dækkene kan glide, selvom hjulene stopper.
- Hold altid maskinen i gear, når du kører ned ad skråninger. Kør ikke ned ad bakke.
- Klip op og ned af skråningerne, og ikke på tværs.
- Hold øje med huller, hjulspor, bump, sten og andre skjulte genstande. Ujævnt terræn kan vælte maskinen. Højt græs kan skjule forhindringer.
- Undgå, at slå græs i nærheden af lodrette klippesider, grøfter og dæmninger. Maskinen kan pludselig vælte, hvis et hjul kører ud over kanten, eller hvis kanten skrider.
- Vælg en lav kørehastighed, så du ikke behøver at stoppe eller skifte, når du er på en skrånning.
- Klip ikke på vådt græs. Dækkene kan miste vejgreb.
- Undgå at starte, stoppe eller dreje på en skrånning. Hvis dækkene mister vejgreb, skal du afbryde klingerne og langsomt fortsætte lige ned ad skrånningen.
- Alle bevægelser på skråninger skal være langsom og gradvis. Foretag ikke pludselige ændringer i hastighed eller retning, da det kan få maskinen til at vælte.
- Vær ekstra forsigtig, når du bruger maskinen med tilbehør, da de kan påvirke maskinens stabilitet. Må ikke bruges på stejle skråninger.
- Hvis du bruger et posesæt (ekstraudstyr), skal du være yderst forsigtig og køre langsomt med plæneklipperen, når du kører på skråninger, da posesættet kan gøre plæneklipperen mere ustabil.
- Brug altid bremserne, når du kører ned ad skrånningen. Plæneklipperen må ikke køres ned ad en bakke i frigear.

Sikkerhedsanordningerne må aldrig ændres eller fjernes.

## 5 ELEKTRISK SYSTEM

### 5.1 SIKKERHED OMKRING DET ELEKTRISKE SYSTEM

- Tag nøglen og batterierne ud, og læs brugsvejledningen, før produktet justeres eller repareres.
- Tag altid nøglen og batterierne ud, før der arbejdes på produktet.
- Tag altid nøglen og batterierne ud under transport.
- Hold maskinen fri for klippet græs, blade og andet affald. Maskinen må IKKE sprøjtes med vand, når den rengøres. Brug kun trykluft. Brug passende øjen- og høreværn under rengøring af maskinen.
- Brug altid sikkerhedsbriller og beskyttelsesudstyr i nærheden af batteriet. Brug isolerede værktøjer.
- Rengør batterirummet, drivmotorrummet, plæneklipperdækslet, sædet osv. for skidt og snavs. Brug ikke opløsningsmidler, hårde rengøringsmidler eller slibemidler.
- Tænd nøglen, hvorefter plæneklipperens klinge kan startes, når dækklingernes tænd/sluk-kontakt (PTO) tændes, også selvom drivmotoren ikke kører. Det må ikke være andre personer i området, når dækklingerne tændes.
- Alle vedligeholdelses- og opbevaringsområder skal være ordentligt ventileret i overensstemmelse med gældende brandregler og bekendtgørelser for, at undgå brandfare.
- Tillad aldrig flammer, gnister eller rygning i nærheden af batterier.
- Opbevar batterier utilgængeligt for børn.
- Hold altid beskyttelsesskærme, dæksler og afskærmninger på plads, og sørg for at de er spændt ordentligt fast. Hvis de beskadiges, skal de repareres eller skiftes med det samme.

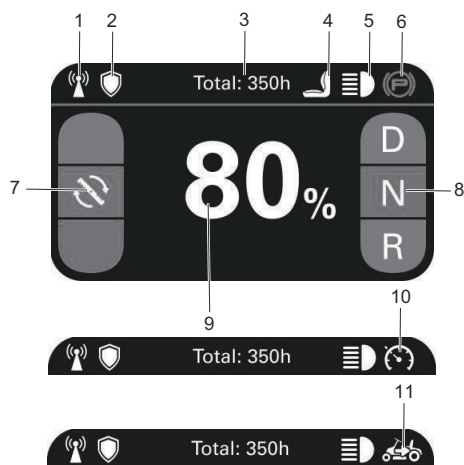
### 5.2 OPLYSNINGER OM DET ELEKTRISKE SYSTEM

Det Cramer Plæneklipperen drives af et 82-volts elektrisk system. Den består af følgende komponenter:

1. Klinge og styreenheden til drivsystemet (1)
2. Klingemotor (2)
3. Accelerator (1)
4. Digitalt display (1)
5. Hjulmotor (1)
6. Batterirum (1)

### 5.3 DIGITAL SKÆRM

Den digitale skærm sidder på betjeningspanelet. Her vises oplysninger om det elektriske system til brugeren. Her er også detaljerede oplysninger om mønster, koder og nummer.



#	Navn	Funktion
3	I alt: 350 timer	Køretøjets arbejdstid
4		Sædekontakten er lukket.
5		LED-lys
6		Parkeringsbremsen er aktiveret.
7		Klinge-hastighed
8	D/N/R	Kørselsretning: Kørsel (D), neutral (N) og bak (R).
9	80 %	Batteriprocent
10		Fartpilot
11		Baglæns klipning er slået til.

#	Navn	Funktion
1		4G GPS-signal
2		GreenShield

## 6 FEJL

CANBUS-systemet beskytter brugeren og maskinen, hvis systemet registrerer et problem. Når maskinen eller en komponent slukkes, indikerer den, at der er opstået en fejl, som vises på den digitale skærm. Alle elektriske fejl har en bogstavkode efterfulgt af et tal. Det første bogstav beskriver i hvilket systemet fejlen er i henhold til følgende diagram:

Navn	Betydning
T	Styreenhed til drivsystem og motor
PMU	Strømstyringsenhed (i batterirummet)
ML	Styreenhed til venstre klingemotor
MR	Styreenhed til højre klingemotor
V	Køretøj

## 6.1 FEJLkode

Fejlkode	Beskrivelse	Løsning
T11	Overspænding	Spændingen er for høj. Genstart strømforsyningen.
T12	Underspænding	Spændingen er for lav. Oplad batteripakken inden brug.
T13	Fejl under styreenhedens selvtest	Hvis dette problem opstår, bedes du kontakte din forhandler.
T14	Drivmotoren er gået i stå	Se, om drivhjulene sidder fast, og genstart strømforsyningen.
T15	Motorkode-fejl	Se, om hall-effektstikket på styreenheden til drivsystemet er ordentligt forbundet, og genstart derefter strømforsyningen.
T16	Fejl i styreenhedens drivkredslob	Hvis dette problem opstår, bedes du kontakte din forhandler.
T17	Styreenhedens drivdel er overophedet	Styreenheden er for varm. Vent, til controlleren er kølet af, og genstart derefter strømforsyningen.
T18	Overophedning af drivmotoren	Motortemperaturen er for høj. Vent på, at motoren køler af, og genstart derefter strømforsyningen.
T21	Temperatursensoren på drivmotoren virker ikke ordentligt	Se, om temperatursensorens ledninger virker ordentligt.
T22	Overstrøm i styreenhedens drivdel	Belastningen er for høj. Genstart strømforsyningen.
T23	Fejl før opladning	Genstart strømforsyningen.
T25	Overstrøm i drivsystemets software	Belastningen er for høj. Genstart strømforsyningen.
T26	Fejl i drivsystemets MOS	Hvis dette problem opstår, bedes du kontakte din forhandler.
T27	Tab af motorens fase	Se, om motorkablerne på styreenheden til drivsystemet er ordentligt forbundet, og genstart derefter strømforsyningen.
T28	Styreenheden til drivsystemet er overophedet	Styreenheden er for varm. Vent, til controlleren er kølet af, og genstart derefter strømforsyningen.
V14	Forkert rækkefølge ved baglæns klipning	Tryk på knappen til baglæns klipning, før du klipper baglæns.
V15	Fejl i køretøjets selvtest	<ol style="list-style-type: none"> <li>1. Før du starter køretøjet, skal du sørge for, at bremsen er slået til.</li> <li>2. Før du starter køretøjet, skal du slukke klippekontakten og se, om klippekontakten er ordentligt forbundet.</li> <li>3. Før du starter køretøjet, skal du sætte FNR-gearstangen i N.</li> <li>4. Se, om stikket under sædet er ordentligt forbundet.</li> <li>5. Tryk ikke på knappen til fartpiloten, når du starter køretøjet.</li> <li>6. Tryk ikke på speederen, når du starter køretøjet.</li> </ol>
V16	Forkert driftssekvens	Sæt accelerator- og klingekontakten tilbage i den originale position.
V17	SPI-kommunikationsfejl	Genstart strømforsyningen.
V18	Fejl i batterirummet (PMU)	Se, om acceleratorkablerne er ordentligt forbundet, og genstart strømforsyningen.
V22	Unormalt klingsignal	Se, om startkontakten til klingen er ordentligt forbundet, og sæt derefter kontakten tilbage i den originale position.
V21	PMU CAN-kommunikationsfejl	Kommunikationen med batterirummet er udløbet. Genstart strømforsyningen.

Fejlkode	Beskrivelse	Løsning
V23	Føretilstedeværelseskontakten virker ikke ordentligt	Se, om stikket under sædet er ordentligt forbundet, og genstart derefter strømforsyningen.
ML3	Overstrøm i softwaren til venstre klinge	Kontroller klippebelastningen, og genstart strømforsyningen.
ML4	Venstre klinge er gået i stå	Se, om græs har ophobet sig omkring klingerne. Sæt startkontakten til klingerne tilbage til i den originale position.
ML6	MOS-fejl på venstre klinge	Hvis dette problem opstår, bedes du kontakte din forhandler.
ML7	Tab af fase i venstre klingemotor	Se, om styreenheden til klingen og motorkablerne er ordentligt forbundet, og genstart derefter strømforsyningen.
ML9	Unormal temperatur på styreenhed til venstre klinge	Styreenheden er for varm. Vent på, at controlleren køler af, og genstart derefter strømforsyningen.
ML14	Overstrøm i hardware til venstre klinge	Kontroller klippebelastningen, og genstart strømforsyningen.
ML15	Venstre klinge startede ikke	Se, om græs har ophobet sig omkring klingerne. Sæt startkontakten til klingerne tilbage til i den originale position.
MR3	Beskyttelse mod lav motorhastighed	Kontroller klippebelastningen, og genstart strømforsyningen.
MR4	Beskyttelse mod høj motorhastighed	Se, om græs har ophobet sig omkring klingerne. Sæt startkontakten til klingerne tilbage til i den originale position.
MR6	Fejl i motorens Hall-sensor	Hvis dette problem opstår, bedes du kontakte din forhandler.
MR7	Tab af fase i styreenheden	Se, om styreenheden til klingen og motorkablerne er ordentligt forbundet, og genstart derefter strømforsyningen.
MR9	Fejl i det åbne MOSFET-kredsløb	Styreenheden er for varm. Vent, til controlleren er kølet af, og genstart derefter strømforsyningen.
MR14	Underspænding i styreenheden	Kontroller klippebelastningen, og genstart strømforsyningen.
MR15	Overspænding i styreenheden	Se, om græs har ophobet sig omkring klingerne. Sæt startkontakten til klingerne tilbage til i den originale position.
PMU10	Fejl i den åbne kredsløb i batteripakken	Temperaturen i batterirummet og batteriet er for lav. Brug maskinen ved en passende temperatur, og genstart strømforsyningen.
PMU11	Stor PMU-fejl	Temperaturen i batterirummet og batteriet er for høj. Vent, til batteriet er kølet af, og genstart derefter strømforsyningen.
PMU12	Sekundær fejl i PMU	En stor fejl i batterirummet forhindrede driv- og klingsystemerne i at starte. Genstart strømforsyningen, og prøv igen.
PMU13	Ingen batteripakke tilgængelig	Se, om du bruger den rigtige batteripakke, og genstart derefter strømforsyningen.
PMU	Manglende batteripakker gør, at produktet ikke virker ordentligt.	Indsæt flere batteripakker.
NA	Vis kommunikationsfejl	Kontroller displayets tilslutningsdele og CAN-netværket.
	Forkert display valgt	Vælg den rigtige skærm til din bilmodel



## 7 VEDLIGEHOVELSE

### 7.1 VEDLIGEHOVELSE AF PLÆNEKLIPPERENS KLINGER

Kontroller dagligt plæneklipperens klinger. De er nøglen til energieffektivitet og velplejet græs. Hold dem skarpe - en sløv klinge river i græsset i stedet for at klippe det, og den efterlader en brun, pjaltet top på græsset inden for et par timer. En sløv klinge skal også bruge mere kraft. Skift alle klinger, der eventuelt er bøjet, revnet eller ødelagt.

#### ▲ ADVARSEL

Forsøg aldrig at rette en bøjet klinge ved at varme den op. Du må heller ikke svejse en revnet eller ødelagt klinge, da den kan gå i stykker, hvilket kan føre til alvorlige personskader. Udskift slidte eller beskadigede knive.

#### ▲ ADVARSEL

Arbejd aldrig på klingerne, når nøglen er i tændingen. Sluk nøglen, og tag batteripakkerne ud af maskinen. Bloker plæneklipperen, hvis du skal arbejde under den. Brug handsker ved håndtering af klingerne. Hvis plæneklipperen rammer en sten, gren eller et andet fremmedlegeme, skal du altid kontrollere klingerne for skader.

#### ▲ FARE

Mild slibning kan gøres med en fil. Kontroller klingerne for balance efter slibning. Et afbalanceringsværktøj kan købes i almindelig handel. Det er også muligt, at balancere klingen på en omvendt linjestanse eller med en 12,7 mm (1/2 tommer) bolt. Klingen må ikke læne eller vippe. Mens du drejer klingen langsomt, må den ikke rokke. Hvis klingen er ude af balance, skal den rettes op, før den sættes på igen. Læg klingen på en flad overflade og sørg for, at de ikke er forvrænget. Udskift ethvert forvrænget blad.

#### ▲ ADVARSEL

- Den buede del på klingen skal vende opad mod indersiden af dækket, for at klingen virker ordentligt.
- Når du har sat klingerne på, skal de drejes manuelt, så du sikrer at klingspidserne ikke rører hinanden eller ikke rører siderne på plæneklipperen.
- Hvis boltene ikke spændes med det rigtige spændingsmoment, kan klingerne falde af, hvilket kan føre til alvorlige personskader.
- Plæneklipperens klinger er skarpe, og du kan nemt skære dit på dem. Brug handsker og vær ekstra forsigtig, når du servicerer dem.

#### 7.1.1 SKIFT KLINGEN

Se figur 17

1. Stop motoren, tag startnøglen ud og træk parkeringsbremsen.
2. Hæv klippedækkets helt op, så du får adgang til klingerne.

#### i BEMÆRK

Hæv plæneklipperen, hvis nødvendigt. Dette kan gøres med en lift eller en donkraft, eller tag klippedækket af, som beskrevet i det foregående afsnit, så du får adgang til klingerne.

#### ▲ ADVARSEL

Hvis plæneklipperen hæves, for at få adgang til klingerne, skal du sørge for at plæneklipperen er spændt ordentligt fast og at parkeringsbremsen er trukket, før du fortsætter. Hvis plæneklipperen ikke spændes ordentligt fast, kan den falde ned, hvilket kan være livsfarligt eller føre til alvorlige personskader.

3. Sæt en trækklods mellem klingen og plæneklipperdækket, så klingen ikke kan dreje.
4. Løsn klingemøtrikken ved at dreje den mod uret (set fra bunden af plæneklipperen) med en 16 mm skruenøgle (medfølger ikke).
5. Fjern klingemøtrikken, muffen, klingeisoleringen og klingen.
6. Skru klingemøtrikken på akslen, og spænd med fingeren.
7. Spænd klingemøtrikken med uret med en momentnøgle (medfølger ikke) så du er sikker på, at boltene er spændt rigtigt. Det anbefalede drejningsmoment til klingemøtrikken er 90 N.m ~ 100 N.m (66 ~ 74 ft.lbs).

## ▲ ADVARSEL

Sørg for, at klingen sidder rigtigt, og at klingemøtrikken strammes med det rigtige spændingsmoment, som vist ovenfor. Hvis klingen ikke spændes rigtigt fast, kan den løsne sig, hvilket kan føre til alvorlige personskader.

8. Gentag med andet blad, hvis det er nødvendigt.

## i BEMÆRK

Sørg for, at alle delene sættes på igen i den rigtige rækkefølge, som de blev fjernet i.

## 7.2 UDSKIFT FORLYGTEN

Se figur 18

Ring til vores kundeservice eller gå på vores hjemmeside, for at bestille en ny forlygte.

1. Parker plæneklipperen på en plan overflade, og slå parkeringsbremsen til.
2. Stop motoren, og fjern startnøglen.
3. Fjern unbrakoskruen og spændeskiven, som holder plæneklipperens gulvpanel på plads, og læg dem til side.
4. Løft gulvpanelet en smule, så du får adgang til de to unbrakoskruer og spændeskiver, der holder forlygten på plads. Fjern skruerne og skiverne, og læg dem til side.
5. Afbryd den gamle forlygte, og bortskaf den.
6. Sæt den nye forlygte i, sæt spændeskiverne på og skru skruerne i. Spænd godt fast.
7. Sænk gulvpanelet, sæt spændeskiven på og skru skruen i, for at spænde det fast.

## 7.3 DÆK

For at opnå en jævn klipning, er det vigtigt at alle dæk har det rigtige dæktryk. Det anbefalede tryk er:

## i BEMÆRK

Dæktrykket må kun måles og justeres, når dækkene er kolde.

Drivhjul	8 psi
Forreste styrehjul	24 psi

## i BEMÆRK

Se dækkene efter dagligt. Udskift dem straks, hvis de beskadiges.

## ▲ ADVARSEL

Kontroller dæktrykket omhyggeligt, når du pumper dækkene op. Hvis der kommer for meget luft i dækket, kan det sprænge og forårsage alvorlige personskader.

## 7.4 SMØRING

Se figur 19

Tilsæt olie inden drift.

Olietype	SAE85W-140
Oliekapacitet	180 ml

Kontakt din Cramer forhandler for, at skifte smøringen.

## i BEMÆRK

Skift olien i gearkassen, når maskinen har kørt de første 50 timer, og skift derefter olien for hver 200. time maskinen kører.

## 7.5 DREJNINGSMOMENTVÆRDIER

### ▲ ADVARSEL

Vær særlig omhyggelig, når du spænder drivhjulsets møtrikker og boltene på klingeakslerne. Hvis disse dele ikke tilspændes rigtigt, kan et hjul eller en klinge falde af, hvilket kan føre til alvorlige skader eller personskader.

Drejningsmomenterne er angivet nedenfor:

Del	Ft-lbs.	Nm
Hjilmøtrikker	89	120
Bolt til klingeaksel	66	90

**Kun hjilmøtrikker** -Det anbefales, at disse kontrolleres efter de første 2 timers drift, og derefter efter hver 100. time og efter fjernelse på grund af reparationer eller udskiftninger.

## 7.6 VEDLIGEHODELSE AF BATTERIPAKKEN

Din Cramer plæneklipper er drevet af en batteripakke, som - når den vedligeholdes rigtigt - vil give mange års brugbar levetid. For at vedligeholde produktet ordentligt, skal følgende vejledninger følges:

- Oplad altid batterierne efter hver brug.
- Hvis en batteripakke afladet helt og slukker, anbefales det at oplade batteriet så hurtigt som muligt. Hvis batteripakken lades for meget op, forkortes dets levetid, og batteriet kan blive permanent beskadiget. Der er ingen grund til at oplade batteriet helt. Det er godt for batteripakken blot at lade den op i 5-10 minutter ad gangen. Det er bedst at oplade batteriet inden for 24 timer.
- Undgå, at græs, skidt og snavs samler sig i nærheden af batteriterminalerne og i batteriområdet.
- Oplad batterier indendørs på et godt ventileret og tørt sted, væk fra gnister og åbent ild. Udsæt aldrig opladeren for regn, damp eller væske.
- Oplad kun litiumbatterier fra Cramer.
- Rør ikke ved isoleret dele på opladeren (terminalerne) eller udgangsstikket.
- Må ikke bruges med defekte ledninger eller kabler. Udskift defekte ledninger eller kabler med det samme.
- Ved langtidsoptbevaring skal du sørge for, at opbevaringstemperaturen er -20 °C - 45 °C, hvis produktet skal opbevares i op til en måned. For opbevaring i 2-12 måneder, skal opbevaringstemperaturen være 0 °C - 35 °C.
- Batteripakkens driftsmiljø er -20 °C -55 °C ved afladning og 0 °C ~ 55 °C ved opladning.

## 7.7 VEDLIGEHODELSE AF BATTERIRUMSFILTER

Udskift batterirumsfilteret hver 200. time.

## 7.8 SERVICERING

### i VIGTIGT

Vent indtil alle dele stopper, før du justerer, rengør eller reparerer nogle af delene. Reparationer eller vedligeholdelse, der kræver strøm, må kun udføres af uddannet vedligeholdelsespersonale. Læs og overhold sikkerhedsadvarslerne i begyndelsen af vejledningen.

### i VIGTIGT

Reparationer eller vedligeholdelse, der kræver strøm, må kun udføres af uddannet vedligeholdelsespersonale.

- Plæneklipperen skal parkeres på et plant underlag. Sørg for, at styrehåndtagene er i neutral position, og at PTO-kontakten er slukket. Hæv dækket, sluk nøglen og tag den ud af kontakten. Tag derefter batteripakkerne ud af batterirummet under sædet.
- Alt vedligeholdelsesarbejde, der kræver fjernelse af sikkerhedsdæksler, skal udføres af en uddannet servicetekniker.
- Brug en pind eller et lignende instrument til at rengøre under plæneklipperen, og sørg for, at ingen dele af kroppen - især arme og hænder - er under plæneklipperen.

- Hold din maskine ren og fjern eventuelle aflejringer af skidt og græs.
- Hold batterirum, dæk og førerplads ren for ophobet skidt, græs og andet affald.
- Rengør batterirummet, drivmotorrummet, plæneklipperdækslet, sædet osv. for skidt og snavs. Brug kun trykluft til rengøring. Brug IKKE vand, opløsningsmidler, hårde rengøringsmidler eller slibemidler.
- Brug altid ordentlig øjenbeskyttelse, når du servicere batterierne, og når du sliber plæneklipperens klinger og fjerner ophobet skidt. Forsøg aldrig at foretage justeringer eller reparationer af plæneklipperens drivsystem, dæk eller tilbehør, når trækraftsystemet kører. Reparationer eller vedligeholdelse, der kræver strøm, må kun udføres af uddannet vedligeholdelsespersonale.
- Arbejd aldrig under maskinen eller tilbehøret, medmindre den er hævet sikkert med en donkraft. Sørg for, at maskinen står sikkert, når den hæves med en donkraft.
- Maskinen må ikke kunne flyttes sig, når den hæves med en dunkraft og trækraftsystemet kører og drivhjulene drejer. Brug kun certificerede donkrafte. Brug kun passende donkrafte, der mindst kan løfte 907,2 kg (2000 pund). Brug kun i par. Følg instruktionerne, der følger med køretøjets stativer.
- Rør ikke ved maskinens varme dele.
- Sørg for, at møtrikker og bolte altid er stramme, især boltene der fastholder klingerne. Hold udstyret i god stand.
- Der må aldrig manipuleres med sikkerhedsanordninger. Kontroller regelmæssigt, at sikkerhedsanordningerne virker ordentligt.
- Sluk nøglen, før du fjerner fastklemte rester i udstødningen.
- Ryd aldrig udstødningen, når maskinen kører. Sluk nøglen, og sørg for, at klingerne er stoppet før rengøring. Brug en pind til, at rydde en tilstoppet udstødning. Brug aldrig din hånd!
- Stop enheden, og lad klingerne stoppe, før udstødningen ryddes. Delene i græsopsamlingsystemet udsættes for slid, beskadigelse og forringelse, hvilket kan slynge bevægelige ud af maskinen. Delene skal regelmæssigt ses efter og skiftet dem med producentens anbefalede dele, hvis nødvendigt.
- Vær forsigtig, når du arbejder under dækket, da plæneklipperens klinger er ekstremt skarpe. Brug handsker og vær ekstra forsigtig, når du servicere dem.
- Brug kun originale Cramer plæneklipperdele for at sikre, at de originale standarder overholdes.
- Batterierne skal altid tages ud, før produktet transporteres. Hold maskinen fri for klippet græs, blade og andet affald.
- Kontroller bremsedriften ofte. Juster og servicere efter behov.
- Vedligehold eller udskift sikkerheds- og anvisningsmærkater efter behov.
- Få havetraktoren servicere af en autoriseret fagperson, der kun bruger identiske reservedele. På denne må sikre du, at havetraktoren er sikker at bruge.
- Genoplad kun med opladeren fra fabrikanten. Hvis en oplader, der er beregnet til én slags batteripakke, bruges med en anden batteripakke, kan det medføre brandfare.

## 8 TRANSPORT OG OPBEVARING

### 8.1 TRANSPORT

#### ▲ ADVARSEL

Vær ekstra forsigtig, når havetraktoren læsses på og losses af en trailer. Tryk på knappen til kørsel med lav hastighed, og styr forsigtigt hastigheden med kørehåndtagene. Altid tilbage på traileren, når den læsses på. Når plæneklipperens læsses på eller losses af, må den ikke komme over den anbefalede maksimale driftsvinkel på 15°. Hvis dette ikke overholdes, kan det føre til tab af kontrol, som kan være livsfarligt eller føre til alvorlige personskade eller materielle skader.

#### ▲ ADVARSEL

Vær forsigtig, når plæneklipperen læsses på eller losses af en trailer. Sørg for, at klippedækket hæves helt op, så det ikke rammer rampen. Plæneklipperens hjul kan køre ud over rampen eller traileren, så plæneklipperen drejer eller vælter, hvilket kan være livsfarligt eller føre til alvorlige personskader.

1. Plæneklipperen skal parkeres på en plan overflade.
2. Hæv klippedækket helt op.
3. Placer og fastspænd rampe til traileren i henhold til producentens anvisninger.

## i BEMÆRK

Vi anbefaler, at du bruger en læsserampe i fuld bredde, der er mindst 1 fod bredere end plæneklipperen, så du minimerer risikoen for, at plæneklipperens hjul kører ud over siden af rampen.

4. Bak langsomt plæneklipperen op på rampen og ind i traileren.
5. Nederste plæneklipperdæk helt.
6. Indstil parkeringsbremsen.
7. Sluk plæneklipperen og fjern nøglen.
8. Spænd plæneklipperen fast efter behov med stropper eller kabler, så den ikke kan bevæge sig under transport.

## ▲ ADVARSEL

For at undgå utilsigtet start eller bevægelser, der kan føre til alvorlige personskader, skal startnøglen altid tages ud og parkeringsbremsen skal trækkes, før plæneklipperen transporteres.

## 8.2 RENGØRING OG OPBEVARING

### 8.2.1 RENGØR MASKINEN

- Fjern eventuel ophobning af græs og blade på eller omkring motordækslet (motoren må ikke skylles med vand fra en højtrykspistol).
- Tør regelmæssigt plæneklipperen af ren med en tør klud.
- Hvis skidt samler sig på undersiden af plæneklipperen under brug, skal du stoppe motoren, slukke for maskinen og skrabe den ren med et passende værktøj.

### 8.2.2 RENGØR PLÆNEKLIPPERDÆKKET

Se figur 20

- Sæt parkeringsbremsen i parkeringsrillerne.
- Sænk plæneklipperens dækhøjde helt ned.
- Sæt den medfølgende hurtigkobling på vaskehullet til haveslangen.
- Sæt haveslangen fast på vaskehullet på plæneklipperens dæk med hurtigkoblingen. Vaskehullet er på venstre side af plæneklipperens dæk.
- Tænd for vandet.
- Træk i PTO-kontakten for at starte klingerne, og skru helt op for klingehastigheden.
- Skyl vand under dækket i cirka et minut.
- Stop klingerne, ved at trykke PTO-kontakten nedad.
- Sluk for vandet og tag haveslangen og hurtigkoblingen af vaskehullet.
- Tag hurtigkobling af haveslangen, og gem den væk til senere brug.
- Sluk plæneklipperen helt.

### 8.2.3 OPBEVARING AF MASKINEN

Maskinen forberedes til opbevaring på følgende måde.

- Rengør maskinen som beskrevet i det foregående afsnit.
- Se klingen efter, og skift eller slib den, hvis nødvendigt (se afsnittet Vedligeholdelse).
- Maskinen må ikke opbevares ved siden af ætsende materialer som f.eks. gødning eller stensalt.
- Opbevar maskinen uden for børns rækkevidde.
- Maskinen må ikke tildækkes med solide plastikbeklædninger. Plastikbeklædninger opfanger fugt omkring maskinen, som danner rust og korrosion på maskinen.
- Kontroller grundigt, om der er slidte eller beskadigede dele, der skal skiftes. Hvis så, skal delene bestilles hos forhandleren.
- Kontakt venligst vores servicecenter, og få maskinen ordentligt smurt.
- Lad batterierne helt op, og sørg for at de er i god stand.
- Dækkene må ikke tømmes for luft.
- Maskinen skal opbevares på et ordentligt ventileret, rent og tørt sted, da batteriopladeren ikke må bruges i våde omgivelser.

- Hold altid batterierne fuldt opladet. Det er især vigtigt at undgå batteriskader, når temperaturen er under 0 °C (32 °F).
- Slut opladeradapteren til opladningsporten og til batterierne, som beskrevet i afsnittet Opladningsadapter i afsnittet Elektrisk system.
- Sæt opladeren i en korrekt stikkontakt. Se afsnittene Batterioplader, Batteriopladning og Opladningsanbefalinger i kapitlet Elektrisk system for flere oplysninger om brug af opladeren og opladning af batterierne.
- For at maksimere batteriets levetid, er det bedst at lade batterierne helt op lige efter hver brug.

## 8.2.4 FORBEREDELSE TIL BRUG EFTER OPBEVARING

Følgende trin skal udføres, før plæneklipperen tages i brug, hvis den ikke har været brugt i længere tid:

- Oplad batterierne helt.
- Kontroller dæktrykket og pump dækkene op efter behov.
- Kør kort med plæneklipperen, og se alle systemer og dele efter, så du er sikker på at de virker ordentligt.

## 9 TROUBLESHOOTING

PROBLEM	MULIG ÅRSAG	LØSNING
Køretøjet vil ikke bevæge sig.	Se, om batteripakken er sat i batterirummet Cramer Se, om du bruger den rigtige batteripakke.	For at køretøjet kan virke, skal der mindst være 1 Cramer batteripakke i batterirummet, som skal være et originalt batteri.
	Batteripakken er ikke opladet.	Se, om der er strøm på batteriet.
	Ingen sidder på sædet, eller førertilstedeværelseskontakten er ikke lukket.	Sørg for, at føreren sidder på sædet.
	Parkeringsbremsen er aktiveret.	Sørg for, at parkeringsbremsen er frigjort, så hjulene kan dreje frit.
	Batterirummet er i hvilende tilstand.	Sluk nøglen, og vent i mindst 5 sekunder, før du starter maskinen igen.
Pludseligt sammenbrud under kørsel	Batteriet vil ikke lade op.	For at køretøjet kan køre, skal der mindst være 1 Cramer batteripakke i batterirummet. Sørg for, at der er strøm på batteripakken, og at du bruger en original batteripakke.
	Ujævne og knoldede veje, der har afbrudt førertilstedeværelseskontakten.	Slå parkeringsbremsen til, genstart maskinen og tryk på joysticket.
	Svigt i gaspedalen.	Kontakt Cramer vores eftersalgsservice.
	Fejl i styreenheden til drivsystemet	Kontakt Cramer vores eftersalgsservice.
Klingen virker ikke, når der trækkes i PTO-kontakten.	Der er ikke sat en batteripakke i batterirummet, der er fra Cramer.	For at køretøjet kan køre, skal der mindst være 1 Cramer batteripakke i batterirummet. Sørg for, at der er strøm på batteripakken, og at du bruger en original batteripakke.
	Batteriets effekt er mindre end 5 %.	Kontroller batteristrømmen. Hvis batteristrømmen er lav, skal batteriet oplades.
	Førertilstedeværelseskontakten er ikke lukket.	Sørg for, at føreren sidder på sædet.
	Klingekontakten (PTO) er ikke i startpositionen, før maskinen tændes.	Tryk på PTO-kontakten, og træk den op igen.
	Motorklingen er blokeret, eller en anden beskyttelsesfunktion er slået til.	Sørg for, at der ikke er ukrudt eller andre fremmedlegemer i forbindelsen mellem klingen og motoren, så du sikrer at klingen drejer jævnt. Det anbefales at hæve dækket og starte klingen, før dækket justeres til det nødvendige udstyr.
	Gå-styreenheden virker ikke.	Sørg for, at der ikke vises andre fejl på skærmen.
Klingen stopper, når græsset klippes.	Styreenheden til klingsystemet virker ikke.	Kontroller den fejlkode, der vises på displayet.
	Overbelastning af klingemotoren.	Rengør indersiden af dækket. Sørg for, at klingen drejer jævnt. Tryk på PTO-kontakten, start maskinen igen og reducer klingebelastningen, enten ved at hæve dækket eller ved, at sænke kørehastigheden.
	Batteripakkens temperatur er for høj.	Batteripakken må ikke bruges umiddelbart efter den er ladet op, ellers kan batteripakkens temperaturbeskyttelsesfunktion gå i gang.
	Batteriets effekt er mindre end 5 %.	Batteristrømmen er lav. Oplad batteriet.
	Klingen har ramt et fremmedlegeme, som har fået den til at stoppe.	Sluk nøglen, og vent i mindst 5 sekunder, før du starter maskinen igen.

PROBLEM	MULIG ÅRSAG	LØSNING
	Styreenheden til drivsystemet virker ikke.	Kontroller den fejlkode, der vises på displayet.
Plæneklipperen klipper græsset ujævnt, og højdeforskellen er meget stor.	Klingen er stumt.	Polér klingen i henhold til manualen.
	Klingen er bøjet.	Skift den bøjede klinge. Klingen skal skiftes i henhold til vejledningerne, og sørg for at bruge beskyttelsesudstyr.
	Dækket er ikke fladt.	Udjævn dækket i henhold til vejledningerne, så du er sikker på, at højden på venstre og højre side er ens.
Den faktiske klippehøjde svarer ikke til den valgte klippehøjde.	Løse spændeboltene på dækket.	Juster dækkets spændebolte, så du er sikker på at dækket er spændt ordentligt fast. Bemærk: Dækket skal udjævnes igen, når monteringsboltene er blevet justeret.
	Dækket er blevet alvorligt slidt eller beskadiget.	Skift dækket med et nyt.
Plænen klippes unormalt	Plænen er for våd.	Før plænen klippes, skal du kontrollere græssets tilstand. Hvis græsset er for vådt, skal du vente på, at græsset tørrer. Vent, indtil plæneduggen forsvinder, før plænen klippes.
	Klipperen er indstillet til at klippe for meget græs på én gang.	Hvis græsset er for tæt og højt, skal du hæve dækket, og undgå at klippe tæt græs så meget som muligt.
Overdreven maskinvibration	Knivene er løse.	Polér klingen i henhold til metoden i manualen.
	Knivene er bøjet.	Skift den bøjede klinge. Sørg for, at skifte klingen rigtigt i henhold til vejledningerne, og sørg for at bruge beskyttelseshandsker.
	Ujævnt dæk.	Udjævn dækket i henhold til vejledningerne, så du er sikker på, at højden på venstre og højre side er ens.
	Løstsiddende dæk.	Spænd dækket fast med boltene.
	Klipperen er indstillet til at klippe for meget græs på én gang.	Hvis græsset er for tæt og højt, skal du hæve dækket. Prøv at undgå, at klippe tæt græs.
Der er rester af græs eller skidt tilbage på græsplænen, når den er blevet klippet.	Klipperen er indstillet til at klippe for meget græs på én gang.	Hvis græsset er for tæt og højt, skal dækket hæves. Hvis græsset er højere end 15 cm, skal det klippes over to omgange, for at opnå en pæn klipning. Undgå, at klippe tæt græs.
	Græsset er for vådt.	Kontroller græsplænenes tilstand, før den klippes. Hvis græsset er for vådt, skal du vente indtil det tørrer. Vent, indtil plæneduggen forsvinder, før plænen klippes.
	Kørehastigheden er for høj.	Sænk kørehastigheden.
	Klingernes hastighed er for langsom under klipningen.	Forøg klingernes hastighed.
Kort klippetid	Klipning af tæt græs, kan føre til kort klippetid.	Hvis du hæver dækket eller sænker klingens hastighed, kan det forlænge plæneklipperens driftstid på en opladning.
Plæneklipperen løber løbsk	Forskelligt dæktryk	Kontroller plæneklipperens dæktryk regelmæssigt i henhold til brugsvejledningen.
Køretøjet starter ikke efter det er blevet vasket.	Forkert rengøring, hvor vandet muligvis er trængt ind i LED-skærmen, batterirummet eller andre elektroniske dele.	<ol style="list-style-type: none"> <li>1. Følg instruktionerne for at rengøre maskinen.</li> <li>2. Hvis køretøjet ved et uheld efterlades i regn, skal det sættes på et tørt sted i 12 timer eller blæses tørt før brug.</li> <li>3. Kontakt Cramer vores eftersalgsservice.</li> </ol>



PROBLEM	MULIG ÅRSAG	LØSNING
Plæneklipperen er blokeret.	Ukrudt og affald har hobet sig op under dækket.	Følg vejledningerne rengøring af maskinen, hver gang den har været i brug.
Maskinen er parkeret, men den glider hurtigt på skråninger.	Stærk dækslitage.	Kontakt eftersalgspersonalet for at udskifte dækkene.
	Den elektromagnetiske bremse er beskadiget eller meget slidt.	Kontakt eftersalgspersonalet for at udskifte den elektromagnetiske bremse.
	Den elektromagnetiske bremse udløses manuelt.	Se elektromagnetiske bremse efter for skader, og nulstil den til startpositionen.

## 10 TECHNICAL DATA

<b>Modelnummer</b>	<b>82LT107</b>
Spænding	82 V
Køretøjets totalvægt	106±3 kg
Længde	170 cm
Højde	117 cm
Bredde (med udstødning)	135 cm
Bredde (uden afladning)	107 cm
Dækbredde	107 cm
Hastighed ved fremadkørsel	0-8 mil per time.
Hastighed ved baglæns kørsel	0-3 mil per time.
Klippehøjdeområde	3.81-11.4 cm
Klippehøjdens justeringsområde	7 stk.
Hastighed uden belastning	2400/3000/3200 RPM
Opladningstid	4 h (med 8 En oplader)
Motoreffekt	1.2 kW (bladmotor)
	1.2 (drivmotor)
MAKS. hældning	15°
Antal klinger (udstødning/Jorddækning)	2 stk.
Målt lydtrykkniveau	$L_{pA} = 84.77 \text{ dB(A)}$ , $K_{pA} = 3 \text{ dB (A)}$
Målt lydeffektniveau	$L_{wA} = 98.24 \text{ dB (A)}$
Garanteret lydeffektniveau	$L_{wA,d} = 100 \text{ dB (A)}$
Vibration	Arme: $\leq 2.5 \text{ m/s}^2$ , $K = 1.5 \text{ m/s}^2$
	Krop: $\leq 2.5 \text{ m/s}^2$ , $K = 1.5 \text{ m/s}^2$

## 11 BEGRÆNSET GARANTI

### 11.1 HVAD ER DÆKKET AF DENNE GARANTI

Cramer giver kun følgende garanti til den oprindelige køber ("Ejer") - garantien kan ikke overdrages:

**A. Brug i beboelsesområder:** Cramer Produkter, der er beregnet til normale boligformål\*, er garanteret i fem (5) år eller 1.500 timers brug i alt (alt efter hvad der indtræffer først) fra købsdatoen på alle materialer og fremstilling

af chassis, dæk og batterier. Forbrugsstoffer såsom dæk og klinger er omfattet af en garanti i tredive (30) dage fra købsdatoen. Hvis ejeren inden for denne garantiperiode opdager en defekt i materialer eller fremstillingen:

- Ejeren skal omgående underrette Cramer eller en autoriseret forhandler skriftligt, via e-mail, telefonopkald, app eller personligt om defekten. En sådan underrettelse må under ingen omstændigheder modtages af Cramer, eller en autoriseret forhandler, senere end fem (5) år efter købsdatoen.
- Inden for en rimelig tid efter sådan en underrettelse og godkendelse af den garantiberettigede defekt, vil Cramer rette enhver fejl i materiale eller fremstilling af Cramer produktet, ved - efter eget valg - at reparere eller udskifte dele med enten nye eller brugte reservedele.
- En sådan reparation, herunder reservedele og arbejdsløn, skal ske på bekostning af Cramer kun til den oprindelige ejer.

**B. Kommerciel brug:** Cramer Produkt, der anvendes til kommerciel og institutionel brug, er garanteret i fem (5) år eller 1.500 timers brug i alt (alt efter hvad der indtræffer først) fra købsdatoen på alle materialer og fremstilling af chassis, dæk og batterier. Forbrugsvarer (herunder, men ikke begrænset til, dæk og klinger) er omfattet af garantien i tredive (30) dage fra købsdatoen. Hvis ejeren inden for denne garantiperiode opdager en defekt i materialer eller fremstillingen:

- Ejeren skal omgående underrette Cramer eller en autoriseret forhandler skriftligt, via e-mail, telefonopkald, app eller personligt om defekten. En sådan underrettelse må under ingen omstændigheder modtages af Cramer, eller en autoriseret forhandler, senere end fem (5) år efter købsdatoen.
- Inden for en rimelig tid efter sådan en underrettelse og godkendelse af den garantiberettigede defekt, vil Cramer rette enhver fejl i materiale eller fremstilling af Cramer produktet, ved - efter eget valg - at reparere eller udskifte dele med enten nye eller brugte reservedele.
- En sådan reparation, herunder reservedele og arbejdsløn, skal ske på bekostning af Cramer kun til den oprindelige ejer (kommerciel).

## i BEMÆRK

Hvis batterierne ikke vedligeholdes rigtigt og holdes fuldt opladede, reduceres batteriets levetid og batterigarantien annulleres. Bestemmelserne i denne begrænsede garanti gælder ikke for fejl på grund af:

- Misbrug eller forsømmelse såsom: Vandskade, løse ledninger eller rustet eller korroderet hardware.
- Mangel på rigtig vedligeholdelse; skade som følge af forkert montering af batteriet; forsømmelse, brud, udsættelse for ekstreme temperaturforhold, herunder - men ikke begrænset til - frysende temperaturer, varme temperaturer, brug eller opbevaring i nærhed af varmekilder, herunder varmeapparater eller brand, udsættelse for vand eller andre stoffer, ødelæggelse, brug af batteriet i en overopladet eller ikke opladet tilstand.
- Et batteri, der lades op med andre systemer end den originale batterioplader.

**Fodnote:** *"\* Normale boligformål", som brugt heri, betyder brug af produktet på samme grund som dit hjem. Brug på mere end ét sted anses for at være kommerciel brug, hvorefter garantien for kommerciel brug gælder.*

## 11.2 HVEM ER ANSVARLIG FOR GARANTISERVICEN

Al garantiservice skal udføres af en Cramer autoriseret forhandler eller Cramer autoriseret servicetekniker. Servicekald og/eller transportomkostninger for produktet til og fra den autoriserede forhandler, der skal udføre garantiservicen, skal betales af produktets ejer. Kontakt en autoriseret forhandler for at få din garantiservice.

## 11.3 HVAD ER IKKE DÆKKET AF DENNE GARANTI

Cramer giver ikke garanti for følgende:

- Reparationer, der er udført af uautoriserede personer.
- Skader forårsaget af brug af Cramer produkt til andre formål end dem, det er beregnet til.
- Skader, som følge af katastrofer såsom brand, oversvømmelse, vind og lynnedslag.
- Skader, som følge af forsømmelse, misbrug, unormal brug, forkert eller urimelig brug, ulykker, uagtsomhed eller misbrug, såsom vandskader.
- Reparationer eller udskiftninger som følge af brug af uautoriserede dele eller tilbehør.
- Reparationer eller udskiftning som følge af ændringer eller ombygninger, hvis det bestemmes, at Cramer, som har en negativ påvirkning på udstyrets drift, ydeevne eller holdbarhed.
- Produkter, komponenter eller dele, der ikke er fremstillet af Cramer.
- Produkter, der har fået ændret deres identifikation, herunder, men ikke begrænset til, serienumre, der er blevet fjernet og/eller gjort ulæselige.

- Værdiforringelse eller skader som følge af normalt slid, manglende rimelig og rigtig vedligeholdelse, manglende overholdelse af produktets brugsvejledninger, vedligeholdelses- og justeringsvejledninger eller andre vejledninger fra Cramer.
- Normal vedligeholdelsesdele og service, herunder, men ikke begrænset til, smøremidler, forbedrede dele, klinger, klingeslibning, lejer, bremse eller styretøjsjusteringer.
- Produkter med en ikke-godkendt programmering til det pågældende produkt, herunder ændringer af parametre, eftermarkedsprogrammering eller justeringer og alle ikke-godkendt ændringer af komponenter, elektronik eller software.

## 11.4 FRASKRIVELSE AF GARANTI

Ovenstående garantier træder i stedet for alle andre garantier, udtrykte eller underforståede, herunder, men ikke begrænset til, de stilltende garantier for salgbarhed og egnethed til et bestemt formål. Men hvis Cramer produktet er købt som et forbrugerprodukt, er enhver underforstået garanti for salgbarhed eller egnethed til et bestemt formål begrænset til varigheden af denne begrænsede garanti. Nogle lande tillader ikke begrænsninger for, hvor længe en underforstået garanti varer, så ovenstående begrænsning gælder muligvis ikke for dig. Denne garanti giver dig bestemte juridiske rettigheder, men du har muligvis også andre rettigheder. Dette varierer fra land til land.

## 11.5 BEGRÆNSNING AF RETSMIDLER

I intet tilfælde kan Cramer holdes ansvarlig for særlige, tilfældige eller følgeskader baseret på brud på garantien, kontraktbrud, uagtsomhed, objektivt erstatningsansvar eller nogen anden juridisk teori. Sådanne skader omfatter, men er ikke begrænset til:

- Tab af fortjeneste
- Tab af besparelser eller indtægter
- Tab af brugen af Cramer Produktet eller eventuelt tilhørende udstyr
- Kapitalomkostninger
- Omkostninger til erstatningsudstyr, faciliteter, tjenester eller nedetid
- Krav fra tredjeparter, herunder kunder, og skade på ejendom

## 11.6 TIDSFRIST

Medmindre andet er fastsat i landets lovgivning:

Enhver sag om brud på garantien skal anlægges inden for fem (5) år eller tres (60) måneder fra købsdatoen, når produktet bruges et hjemmet eller i erhverv.

Hvis fremstillingsdatoen overstiger en rimelig tidsramme forud for kundens første køb, Cramer garantien kan være underlagt yderligere begrænsninger.

## 11.7 INGEN ANDRE GARANTIER

Denne aftale skal forstås som værende den fuldstændige og eksklusive aftale mellem parterne, der erstatter alle tidligere aftaler, mundtlige eller skriftlige, og al anden kommunikation mellem parterne om emnet i denne aftale.

## 11.8 EJERENS ANSVAR

Du skal vedligeholde dit Cramer produkt ved at følge vedligeholdelsesprocedurene, der står i brugsvejledningen. Sådant rutinemæssig vedligeholdelse, uanset om den udføres af en forhandler eller af dig, skal du selv betale for.

Denne maskine, som alt andet drevet udstyr, er potentielt farligt, medmindre den bruges rigtigt. Alle brugere af dette produkt skal være forsigtige og de skal altid være opmærksom på sikkerheden. Alle brugere skal, før produktet Cramer tages i brug, læse brugsvejledningen omhyggeligt, særligt vedrørende betjening og sikkerhed af maskinen. De skal også læse alle sikkerhedsadvarslerne på selve maskinen.

## 11.9 FORDELING AF RISICI

Denne aftale fordeler risikoen for produktfejl mellem Cramer og ejeren. Denne fordeling anerkendes af begge parter og afspejles i varenes pris.

## 11.10 GARANTIREGISTRERING

Medmindre andet er fastsat i landets lovgivning:

1. Ejere skal registrere enheden hos Cramer inden for ti (10) dage efter købsdatoen.
2. Registreringen kan udfyldes ved at udfylde garantiregistreringsformularen, som findes i brugsvejledningen.
3. Registrering kan også udfyldes i vores onlineformular på [cramertools.com](http://cramertools.com) eller i vores app, hvor du skal fremlægge købsbeviset (kvittering med købsdato).

## 12 EF-OVERENSSTEMMELSESERKLÆRING

Navn og adresse på fabrikanten:

Navn: Greenworks Tools Europe GmbH  
Adresse: Brunnenweg 17, 64331 Weiterstadt, Tyskland

Navn og adresse på den person, der er bemyndiget til at udarbejde den tekniske fil:

Navn: Ralf Pankalla  
Adresse: Brunnenweg 17, 64331 Weiterstadt, Tyskland

Heraf erklærer vi, at produktet

Kategori: Plænetraktor  
Model: 82LT107  
Serienummer: Se typeskiltet på produktet  
Produktionsår: Se typeskiltet på produktet

- er i overensstemmelse med de relevante bestemmelser i maskindirektivet 2006/42/EF.
- er i overensstemmelse med bestemmelserne i følgende andre EF-direktiver:
  - 2014/30/EU
  - 2011/65/EU & (EU)2015/863

Desuden erklærer vi, at følgende (dele/klausuler fra) europæiske harmoniserede standarder er blevet brugt:

- EN 62841-1, EN ISO 5395-1, EN ISO 5395-3, EN ISO 14982, IEC 62321-3-1, IEC 62321-4, IEC 62321-5, IEC 62321-6, IEC 62321-7-1, IEC 62321-7-2, IEC 62321-8

Sted, dato: 11.11.2022

Underskrift: Ted Qu, kvalitetsdirektør



<b>1 Aprašymas.....</b>	<b>270</b>	7.4 Tepimas.....	281
1.1 Apžvalga.....	270	7.5 Priveržimo jėgos vertės.....	282
1.2 Valdymo skydelis.....	270	7.6 Sudėtinės baterijos techninė priežiūra...	282
<b>2 Įrenginio išpakavimas.....</b>	<b>271</b>	7.7 Baterijų skyriaus filtro techninė priežiūra	282
<b>3 Įrengimas.....</b>	<b>271</b>	7.8 Techninė priežiūra.....	282
3.1 Sėdynės tvirtinimas.....	271	<b>8 Gabenimas ir laikymas.....</b>	<b>283</b>
3.2 Vairo tvirtinimas.....	271	8.1 Gabenimas.....	283
3.3 Mulčiavimo dangčio tvirtinimas.....	271	8.2 Valymas ir laikymas.....	284
3.4 Apsaugos nuo skutimo ratukai.....	272	<b>9 Trikčių šalinimas.....</b>	<b>286</b>
3.5 Programėlės naudojimas.....	272	<b>10 Techniniai duomenys.....</b>	<b>288</b>
<b>4 Darbo instrukcijos.....</b>	<b>272</b>	<b>11 Ribotoji garantija.....</b>	<b>288</b>
4.1 Prieš pradėdant darbą.....	272	11.1 Šios garantijos aprėptis.....	288
4.2 Darbas su įrenginiu.....	273	11.2 Kas privalo vykdyti garantinį remontą.....	289
<b>5 Elektros sistema.....</b>	<b>276</b>	11.3 Kada garantija negalioja.....	289
5.1 Elektros sistemos sauga.....	276	11.4 Garantijos ribojimas.....	290
5.2 Informacija apie elektros sistemą.....	276	11.5 Kompensacijų ribojimas.....	290
5.3 Skaitmeninis ekranas.....	277	11.6 Laiko riba.....	290
<b>6 Klaidos.....</b>	<b>277</b>	11.7 Jokių kitų garantijų.....	290
6.1 Klaidų kodai.....	278	11.8 Savininko atsakomybė.....	290
<b>7 Techninė priežiūra.....</b>	<b>280</b>	11.9 Rizikos paskirstymas.....	290
7.1 Traktoriuko peilių techninė priežiūra.....	280	11.10 Garantijos registravimas.....	290
7.2 Priekinio žibinto keitimas.....	281	<b>12 EB atitikties deklaracija.....</b>	<b>291</b>
7.3 Padangos.....	281		

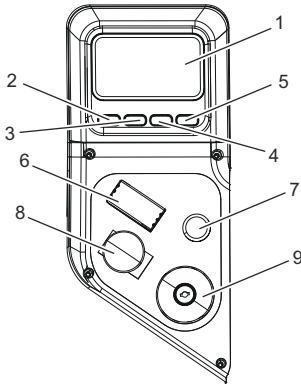
# 1 APRAŠYMAS

## 1.1 APŽVALGA

Žr. atskirą paveikslų lapą 1-20

- |  |                            |
|--|----------------------------|
| 1 Sėdynės reguliavimo svirtis                    | 17 Vairas                  |
| 2 Šoninio išmetimo lovelis                       | 18 Dengiamoji plokštelė    |
| 3 Stabdžių pedalas                               | 19 Mulčiavimo dangtis      |
| 4 Valdymo skydelis                               | 20 Atraminis žiedas        |
| 5 Pjovimo platformos aukščio reguliavimo svirtis | 21 Fiksavimo apkabos       |
| 6 Akceleratoriaus pedalas                        | 22 Serijos numeris         |
| 7 Stovėjimo stabdžio rankena                     | 23 Susiejimo kodas         |
| 8 Priekiniai žibintai                            | 24 QR kodas                |
| 9 Puodelio laikiklis                             | 25 Baterijų skyrius        |
| 10 USB jungtis                                   | 26 Baterija                |
| 11 Apsaugos nuo skutimo ratukai                  | 27 Baterijos fiksatorius   |
| 12 Sėdynės pagrindas                             | 28 Peilis                  |
| 13 Sėdynės kištukas                              | 29 Alyvos įpylimo anga     |
| 14 Vairo kotas                                   | 30 Alyvos išleidimo anga   |
| 15 Mova  | 31 Sodo žarna              |
| 16 Vairo kolonėlė                                | 32 Greitojo sujungimo mova |
|  | 33 Plovimo jungtis         |

## 1.2 VALDYMO SKYDELIS



Nr .	Pavadinimas	Funkcija
2	Peilio variklio greičio reguliatorius / grįžimas atgal	Pradžios tinklalapyje galima reguliuoti peilio sukimosi greitį (ciklinį). Paspauskite mygtuką grįžimui į ankstesnį puslapį.
3	Naršymo meniu mygtukas / aukštesnis puslapis	Sukite paskutiniam puslapiui atversti skaitmeniniame ekrane. Grįžkite į pradžios tinklalapį.
4	Žibintų jungiklis / žemesnis puslapis	Pradžios tinklalapyje įjunkite ir išjunkite žibintus. Sukite kitam puslapiui atversti skaitmeniniame ekrane.
5	Greičio palaikymo mygtukas / patvirtinimas	Paspauskite ir laikykite nuspaudę ilgiau nei 0,4 sek., kad įjungtumėte greičio palaikymo funkciją, spustelėkite patvirtinimui.
6	Važiavimo krypties valdymo jungiklis	Traktoriuko važiavimo kryptis valdoma šiuo jungikliu. Galima rinktis važiavimą į priekį (D), neutralią padėtį (N) ir atbulinę eigą (R).
7	Pjovimo judant atbuline eiga mygtukas	Ši mygtuką būtina paspausti, norint pjauti žolę traktoriukui važiuojant atbuline eiga.
8	Įjungimo jungiklis	Šiuo jungikliu traktoriukas įjungiamas ir išjungiamas. Kad jungiklis veiktų, į jį reikia įstatyti paleidimo raktelį.
9	Pjovimo platformos peilių įjungimo ir išjungimo jungiklis (PTO)	Šiuo jungikliu paleidžiami peilių varikliai. Patraukite jungiklį į viršų peiliams paleisti ir nuspauskite žemyn jiems sustabdyti.

### i SVARBU

Niekada nebandykite įjungti peilių variklių, kai pjovimo platforma apkrauta. Galite sugadinti variklius arba platformą.

Nr .	Pavadinimas	Funkcija
1	Skaitmeninis ekranas	Šiame ekrane rodoma svarbi informacija apie elektros sistemą. Daugiau informacijos ieškokite skyriuje apie elektrą.

## 2 ĮRENGINIO IŠPAKAVIMAS

### ▲ ĮSPĖJIMAS

Prieš naudodami įsitikinkite, ar tinkamai surinkote įrenginį.

### ▲ ĮSPĖJIMAS

- Jeigu yra pažeistų dalių, įrenginio nenaudokite.
- Jei trūksta dalių, įrenginio nenaudokite.
- Jeigu dalys pažeistos arba jų trūksta, kreipkitės į techninės priežiūros centrą.

1. Atidarykite pakuotę.
2. Perskaitykite dėžėje esančius dokumentus.
3. Iš dėžės išimkite visas nesumontuotas dalis.
4. Išimkite įrenginį iš dėžės.
5. Dėžę ir pakavimo medžiagas išmeskite laikydamiesi galiojančių atliekų tvarkymo reikalavimų.

### ▲ ĮSPĖJIMAS

Dėl savo saugumo bateriją prijunkite tik iki galo surinkę visą įrenginį.

## 3 ĮRENGIMAS

### 3.1 SĖDYNĖS TVIRTINIMAS

Žr. *paveikslą 3*

1. Uždėkite sėdynę ant jos pagrindo ir sulygiuokite skyles, kaip parodyta.
2. Įstatykite varžtus, uždėkite poveržles, veržles ir tvirtai priveržkite.
3. Ant veržlių uždėkite įvoves.
4. Patikrinkite, ar sėdynė tinkamai pritvirtinta.
5. Prijunkite prie įrenginio sėdynės kištuką.

### 3.2 VAIRO TVIRTINIMAS

Žr. *paveikslą 4-5*

### i PASTABA

Plyšys turi būti nukreiptas į viršų link sėdynės.

1. Įstatykite vairo kotą į movą, pasukdami taip, kad skylė kote susilygintų su varžto skykle movoje.
2. Prakiškite abu varžtus ir tvirtai priveržkite.

### i PASTABA

Varžtus priveržkite nurodyta priveržimo jėga.

3. Uždėkite vairo kolonėlę. Vairo kolonėlės iškyšos turi įsistatyti į skyles angoje, o pati kolonėlė tvirtai atsiremti.
4. Traktoriuko ratai turi būti pasukti tiesiai į priekį; tuomet užspauskite vairą ant vairo kolonėlės.
5. Įkiškite varžtą su poveržle ir tvirtai priveržkite.
6. Uždėkite vairo dengiamąją plokštelę.

### 3.3 MULČIAVIMO DANGČIO TVIRTINIMAS

Žr. *paveikslą 6*

Pristatomas traktoriukas nustatytas šoniniam žolės nuopjovų išmetimui. Jei žolę norite mulčiuoti:

1. Ant traktoriuko korpuso iškyšos uždėkite mulčiamo dangtį.
2. Mulčiamo dangčio skylės sulygiuokite su skylėmis traktoriuko korpuso.
3. Įstatykite ar uždėkite ir priveržkite varžtus, sraigtus, fiksavimo apkalbas ir atraminius žiedus.

## 3.4 APSAUGOS NUO SKUTIMO RATUKAI

Žr. paveikslą 2

Apsaugos nuo skutimo ratukai yra standartinėje Cramer įrenginių komplektacijoje. Jie skirti vejos paviršiaus skutimui kiek įmanoma sumažinti, kai dirbama ant nelygaus paviršiaus. Nustatę pjovimo aukštį, sureguliuokite apsaugos nuo skutimo ratukus taip, kad jie nusileistų žemiau pjovimo platformos, tačiau neliestų žemės. Jie visada turi būti 0,6–1,9 cm žemiau platformos. Kai traktoriukas stovi ant lygaus paviršiaus, ratukus galima nustatyti nuo 1,9 cm iki 4,4 cm žemiau peilių paviršiaus. Ratukus pakelkite arba nuleiskite pritvirtindami juos skirtingose ašių skylutėse ratų laikikliuose (priklauso nuo modelio).

## 3.5 PROGRAMĖLĖS NAUDOJIMAS

Žr. paveikslą 7-8

1. Apsilankykite įrenginių valdymo svetainėje: [fleet.cramertools.com](http://fleet.cramertools.com)
2. Susikurkite paskyrą ir po to prisijunkite.
3. Pakvieskite prisijungti kitus naudotojus jūsų organizacijoje.
4. Nuskenaukite QR kodą, atsisiųskite programėlę ir prisijunkite.
5. Pridėkite įrenginį. Susiraskite ant traktoriuko serijos numerį, susiejimo kodą ir QR kodą, kurie atitinka šiame vadove pateiktą etiketę. Nuskenaukite QR kodą arba jį nurašykite rankiniu būdu.

## 4 DARBO INSTRUKCIJOS

### 4.1 PRIEŠ PRADEDANT DARBĄ

#### 4.1.1 SĖDYNĖS REGULIAVIMAS

Žr. paveikslą 9

Prieš pradėdami dirbti su traktoriuku jo sėdynę susireguliuokite taip, kad galėtumėte lengvai pasiekti ir tvirtai nuspausti akceleratoriaus ir stabdžių pedalus.

1. Atsisėskite ant sėdynės ir pakelkite jos reguliavimo svirtį.
2. Taip laikydami svirtį, pastumkite sėdynę į pageidaujimą padėtį.
3. Prieš pradėdami važiuoti atleiskite svirtį ir patikrinkite, ar sėdynė tinkamai užfiksuota nustatytoje padėtyje.

### ▲ ĮSPĖJIMAS

Prieš pradėdami važiuoti įsitinkinkite, ar sėdynė užfiksuota savo vietoje. Tinkamai neužfiksuos sėdynės, vairuotojas gali prarasti stabilumą, nesuvaldyti traktoriuko ir sunkiai ar net mirtinai susižaloti.

#### 4.1.2 PLATFORMOS PJOVIMO AUKŠČIO NUSTATYMAS

Žr. paveikslą 10

Prieš pradėdami darbą, pakelkite pjovimo platformą į tokį aukštį, kuris geriausiai tiktų jūsų vejai pjauti.

Platformos aukštį galima reguliuoti nuo 3.81-11.4 cm. Pjovimo platformą reikia pakelti pjaunant žolę, kad išvengtumėte kelmų, akmenų ar kitų kliūčių, kurios gali ją pažeisti.

### ▲ PERSPĖJIMAS

Kai reguliuojate platformos aukštį, tvirtai laikykite jos aukščio reguliavimo svirtį, kurią atleiskite tik tuomet, kai įstatysite į reikiamą plyšį. Greitai paleisdami iš rankos galite ją prisispausti ar sugnybti.

1. Sustabdykite traktoriuką ir atjunkite peilius.
2. Pasukite paleidimo raktelį į išjungimo padėtį ir įjunkite stovėjimo stabdį.



3. Jei pjovimo platformą norite pakelti, sugriebkite jos aukščio reguliavimo svirtį ir patraukite į kairę, kad ištrauktumėte iš plyšio, tuomet pastumkite link traktoriuko galo ir pastumkite į dešinę, kad įkištumėte į kitą plyšį ir užfiksuotumėte.
4. Jei pjovimo platformą norite nuleisti, sugriebkite jos aukščio reguliavimo svirtį ir patraukite į kairę, kad ištrauktumėte iš plyšio, tuomet pastumkite link traktoriuko priekio ir pastumkite į dešinę, kad įkištumėte į kitą plyšį ir užfiksuotumėte.

### 4.1.3 SUDĖTINĖS BATERIJOS ĮSTATYMAS

Žr. paveikslą 11

Norėdami įsitikinti, ar traktoriuko baterijos iki galo įkrautos, patikrinkite baterijų įkrovos lygio indikatorius. Daugiau informacijos rasite baterijų vadove.

1. Pakelkite sėdynės pagrindą.
2. Pakelkite baterijų skyriaus dangtį.
3. Įstatykite sudėtinę bateriją į baterijų skyrių.

#### ▲ ĮSPĖJIMAS

Baterijos briaunas įtaikykite į baterijos lizdo griovelius. Baterijos fiksatorius turi lengvai užfiksuoti bateriją jos skyriuje.

### 4.1.4 PRIEŠ PRADEDANT DIRBTI SU ĮRENGINIU

- Darbo zonoje neturi būti vaikų, pašalinių asmenų ir naminių gyvūnų.
- Pašalinkite iš darbo zonos visas šiukšles, kurias traktoriuko peiliai gali išsviesti į orą.
- Patikrinkite, kaip veikia stabdžiai.
- Patikrinkite oro slėgį padangose.
- Patikrinkite tvirtinimo detales, ar neatsipalaidavę.
- Patikrinkite visas apsaugas, ar jos savo vietose ir tinkamai veikia.
- Nuvalykite nuo traktoriuko šiukšles.
- Išbandykite apsauginės blokavimo sistemos veikimą.
- Nusistatykite į norimą padėtį sėdynę.
- Patikrinkite baterijų įkrovos lygį.

### 4.1.5 APSAUGINĖ BLOKAVIMO SISTEMA

Žr. paveikslą 12

Traktoriuke įrengta operatorių apsauganti blokavimo sistema, kuri atjungia peilius, jeigu jiems sukantis operatorius pakyla nuo sėdynės. Kiekvieną kartą prieš traktoriuko naudojimą sistemą išbandykite, ar ji tinkamai veikia.

1. Važiavimo krypties valdymo jungiklis turi būti įjungtas į neutralią (N) padėtį, o PTO jungiklis turi būti nuspaustas.
2. Įstatykite paleidimo raktelį ir pasukite į įjungimo padėtį.
3. Atleiskite stovėjimo stabdį.
4. Patraukite į viršų PTO jungiklį, taip paleisdami peilius.
5. Pakilkite trumpam nuo sėdynės, tačiau neišlipkite iš traktoriuko.

Peiliai turi išsijungti per 5 sekundes. Jeigu jie neišsijungia, kreipkitės į klientų aptarnavimo centrą. Nedirbkite su traktoriuku, kol apsauginė blokavimo sistema nebus suremontuota.

## 4.2 DARBAS SU ĮRENGINIU

### 4.2.1 ĮRENGINIO PALEIDIMAS

#### i PASTABA

Prieš pradėdami važiuoti traktoriuku įsitikinkite, kad aplink nėra pašalinių asmenų. Kam nors pasirodžius pjovimo zonoje, nedelsdami sustabdykite darbą ir tęskite tik pašaliniams asmenims pasitraukus iš pjovimo zonos.

1. Pakelkite pjovimo platformą į aukščiausią padėtį.

## Lietuvių k.

- Įstatykite paleidimo raktelį ir pasukite į įjungimo padėtį.
- Paspauskite važiavimo krypties valdymo jungiklį į neutralią (N) padėtį.
- Atleiskite stovėjimo stabdį.
- Patraukite į viršų PTO jungiklį, taip paleisdami žolės pjovimo peilius.
- Paspauskite važiavimo krypties valdymo jungiklį į važiavimo (D) padėtį ir važiuokite traktoriuku į pageidaujamą vejos pjovimo vietą.

### ! PASTABA

Būkite atsargūs, kai kertate žvyruotus takus ar grįstus įvažiavimus. Prieš juos pervažiudami atjunkite peilius ir pakelkite pjovimo platformą į aukščiausią padėtį, kad kiek įmanoma sumažėtų rikošeto tikimybė. Važiukite lėtai, kad neprarastumėte sukibimo su vejos paviršiumi ir suvaldytumėte įrenginį.

### ! PASTABA

Nebandykite keisti važiavimo pirmyn krypties į važiavimą atbuline eiga ir atvirksčiai, kai traktoriukas juda. Visada prieš keisdami kryptį visiškai sustokite.

#### 4.2.2 PALAIKOMO GREIČIO NUSTATYMAS

- Važiudami traktoriuku į priekį, nuspauskite akceleratoriaus pedalą tiek, kad pasiektumėte pageidaujamą greitį.
- Paspauskite ir palaikykite nuspaudę ilgiau nei 0,4 sek. greičio palaikymo mygtuką.
- Atleiskite akceleratoriaus pedalą. Traktoriuko važiavimo greitis turi nesikeisti.

#### 4.2.3 PALAIKOMO GREIČIO IŠJUNGIMAS

- Spustelėkite akceleratoriaus pedalą arba stabdžių pedalą.

#### 4.2.4 STOVĖJIMO STABDŽIO ĮJUNGIMAS

- Iki galo nuspauskite ir laikykite nuspaudę stabdžių pedalą.
- Patraukite į viršų stovėjimo stabdžio rankeną ir laikykite.
- Atleiskite stabdžių pedalą.
- Atleiskite stovėjimo stabdžio rankeną.

### ▲ ĮSPĖJIMAS

Niekada nepalikite traktoriuko be priežiūros su dirbančiu varikliu. Įsitinkinkite, kas įjungtas stovėjimo stabdys ir ištrauktas paleidimo raktelis. Neįjungus stovėjimo stabdžio traktoriukas gali pajudėti, o palikus neištrauktą raktelį įrenginiu gali pasinaudoti ir sunkiai susižaloti neįgalioti asmenys.

#### 4.2.5 STOVĖJIMO STABDŽIO IŠJUNGIMAS

- Stovėjimo stabdžiu išjungti nuspauskite stabdžių pedalą.

#### 4.2.6 ĮRENGINIO SUSTABDYMAS

- Sustabdykite traktoriuką ant lygaus ir horizontalaus paviršiaus.
- Įjunkite stovėjimo stabdį.
- Nuspauskite žemyn PTO jungiklį atjungdami peilius.
- Pasukite paleidimo raktelį į išjungimo padėtį.

#### 4.2.7 VAŽIAVIMAS ATBULINE EIGA

Žr. paveikslą 13

- Nuspauskite stabdžių pedalą, kad traktoriukas visiškai sustotų.
- Nuspauskite žemyn PTO jungiklį atjungdami peilius.
- Paspauskite važiavimo krypties valdymo jungiklį į atbulinės eigos (R) padėtį.
- Paspauskite pjovimo judant atbuline eiga mygtuką.
- Pakelkite į viršų PTO jungiklį, iš lėto spauskite akceleratoriaus pedalą ir pradėkite pjauti, jei reikia.

# Lietuvių k.

## ▲ ĮSPĖJIMAS

Nepjaukite važiuodami atbuline eiga, nebent tai neišvengiama. Visada pasižiūrėkite žemyn ir atgal prieš pajudėdami atbuline eiga ir važiavimo atgal metu, kad įsitikintumėte, jog pjovimo zonoje nėra vaikų, pašalinių asmenų ar naminių gyvūnų. Atminkite, kad bent akimirksniui atspalaidavus galima sunkiai ar net mirtinai sužaloti.

## ▲ ĮSPĖJIMAS

Būkite ypač atsargūs prieš pajudėdami atbuline eiga ir važiavimo atgal metu, jei prie įrenginio pritvirtintas žolės rinktuvas (komplekte nėra), nes jis gali riboti matomumą. Visada atidžiai pasižiūrėkite žemyn ir atgal prieš pajudėdami atbuline eiga ir važiavimo atgal metu, ar šalia nėra mažų vaikų, pašalinių asmenų ar naminių gyvūnų, ir važiuokite lėtai, kad išvengtumėte nelaimingų atsitikimų ir sunkių ar net mirtinų susžalojimų.

### 4.2.8 USB JUNGTIES NAUDOJIMAS

Žr. paveikslą 14

Prijungus prie USB įkrovimo jungties, 5 V ir 2,1 A nuolatine srove galima įkrauti mobilųjį telefoną, MP3 grotuvą ar kitus prietaisus su USB jungtimi. Daugiau informacijos apie savo prietaiso įkrovimo reikalavimus rasite šio prietaiso naudotojo vadove.

Savo prietaisui įkrauti vieną USB laido (nėra komplekte) galą prijunkite prie prietaiso, o kitą galą – prie traktoriuko USB įkrovimo jungties.

## i PASTABA

Nebandykite krauti prietaisų, kurių vardinė srovė viršija 2,1 A, nes galite sugadinti USB įkrovimo jungtį ir (ar) traktoriuką.

## i PASTABA

USB jungtis veikia tik įjungus traktoriuką.

## ▲ ĮSPĖJIMAS

Dirbdami su traktoriuku niekada nenaudokite ausinių ar kokių nors elektroninių prietaisų, pvz., išmaniojo telefono ar planšetės. Dėl dėmesio atitraukimo galite sukelti avariją ir sunkiai ar net mirtinai susižaloti pats ar sužaloti pašalinį asmenį.

### 4.2.9 PATARIMAI DĖL DARBO

Žr. paveikslą 15

- Traktoriuko peiliai visada turi būti aštrūs.
- Vejoje neturi būti akmenų, pagalių, vielų, žaislų, konkorežių, šakų ir kitų kliūčių, kurios gali sugadinti traktoriuko peilius ar variklį. Nepjaukite virš riboženklų ar kitokių metalinių stulpelių. Tokios kliūtys gali sugadinti traktoriuko peilius arba peiliai gali jas išsviesti į orą bet kuria kryptimi, sunkiai sužalodami operatorių arba kitus asmenis.
- Kad veja būtų gražesnė, visada pjaukite ne daugiau kaip trečdajį jos aukščio.
- Kai pjaunate dideliame plote, visada pradėkite sukdamį į dešinę pusę, kad žolės nuopjovos būtų metamos tolyn nuo krūmų, tvorų, įvažiavimų ir pan. Po vieno ar dviejų ratų važiavimo kryptį pakeiskite ir pjaukite sukdamį į kairę pusę, kol pabaigsite.
- Žolę pjaukite taip, kad nupjovos būtų išmetamos ant jau nupjautos vejos dalies.
- Pjaudami tankią žolę greitį važiavimo sumažinkite, kad geriau nupjautumėte ir tinkamai paskleistumėte nuopjovas.
- Įprasto pjovimo metu nupjaukite tik apie 38 mm (1,5 colio) žolės aukščio. Daugiau pjauti nerekomenduojama, nebent žolė reta arba jau baigiasi pjovimo sezonas.
- Nepjaukite drėgnos žolės. Ji prikimba prie pjovimo platformos apačios ir trukdo tinkamai surinkti į rinktuvą ar mulčiuoti.
- Naują ar tankią veją gali tekti pjauti siauriau ar padidinus pjovimo aukštį.
- Traktoriuko pjovimo platforma ir išmetimo lovelis turi būti švarūs. Prieš traktoriuką naudodami ir po to nuvalykite žolės nuopjovas, lapus, purvą ir kitas susikaupusias šiukšles. Valydami nepurkškite vandens su sodo žarna.

## i PASTABA

Prieš valydami traktoriuko dugną visada jį išjunkite ir palaukite, kol peiliai nustos sukstis, ir ištraukite paleidimo raktelį.

### 4.2.10 DARBAS ŠLAITUOSE

Žr. paveikslą 16

Šlaituose dažniausiai nesuvaldomas ir apsiverčia traktoriukas, taip sukeliama sunkias ar net mirtinas operatoriaus traumas. Dirbant bet kokiose vietose su nuolydžiu reikia būti ypač atsargiems. Jei į šlaitą negalite užvažiuoti judėdami atbuline eiga arba tai sudėtinga padaryti, ten žolės nepjaukite.

- Šlaituose važiuokite gamintojo rekomenduojama kryptimi. Būkite atsargūs, kai dirbate šalia nuolaidžių vietų.
- Jokiu būdu nedirbkite su įrenginiu, jei yra problemų su jo trauka, vairavimu ar stabilumu. Padangos gali slysti net sustabdžius ratus.
- Važiuodami žemyn šlaitu visada laikykite jungtą pavarą. Neriedėkite žemyn.
- Žolę pjaukite važiuodami aukštyrni ir žemyn, o ne skersai šlaito.
- Saugokitės duobių, provėžų, iškilimų, akmenų ar kitų paslėptų kliūčių. Ant nelygaus žemės paviršiaus įrenginys gali apsiversti. Aukštoje žolėje gali slėptis kliūtys.
- Nepjaukite žolės šalia įgriuvų, griovių ar krantinių. Įrenginys gali netikėtai pasiversti, jo ratui užvažiuavus ant pakraščio ar pakraščiu įdubus.
- Pasirinkite mažą važiavimo greitį, kad šlaite nereikėtų stabdyti ar perjungti pavarą.
- Nepjaukite drėgnos žolės. Padangos gali prarasti sukibimą.
- Stenkitės ant šlaito nepradėti važiuoti, nesukti ir nesustoti. Jei padangos praranda sukibimą, atjunkite peilį (-ius) ir leiskitės tiesiai šlaitu žemyn.
- Šlaituose visada judėkite lėtai ir palaipsniui. Staigiai nekeiskite greičio ir krypties, nes įrenginys gali apsiversti.
- Būkite ypač atsargūs, kai važiuojate prikabinę padargus: jie gali sumažinti įrenginio stabilumą. Nepjaukite stačiuose šlaituose.
- Jie prie įrenginio pritvirtintas pasirenkamaas rinktuvas, būkite ypač atsargūs ir šlaituose judėkite lėtai, nes rinktuvas gali pakenkti traktoriuko stabilumui.
- Leisdami žemyn šlaitu visada naudokite stabdžius. Nebandykite riedėti įjungę neutralią pavarą.

## 5 ELEKTROS SISTEMA

### 5.1 ELEKTROS SISTEMOS SAUGA

- Perskaitykite savininko vadovą, ištraukite raktelį ir išimkite baterijas prieš įrenginį reguliuodami ar remontuodami.
- Visada ištraukite raktelį ir išimkite baterijas prieš tvarkydami šį įrenginį.
- Visada ištraukite raktelį ir išimkite baterijas prieš įrenginį gabendami.
- Pašalinkite nuo įrenginio žolės nuopjovas, lapus ir kitas šiukšles. NEPURKŠKITE vandens ant įrenginio jį valydami. Valykite pūsdami suslėgtuoju oru. Valymo metu dėvėkite tinkamas akių ir klausos apsaugos priemones.
- Visada užsidėkite apsauginius akinius ir kitas apsaugines priemones, kai tvarkote baterijas. Naudokite izoliuotus įrankius.
- Išvalykite baterijų skyrių, pavaros variklio skyrių, pjovimo platformą, sėdynę ir pan., pašalindami visus nešvarumus ir šiukšles. Nenaudokite tirpiklių, koncentruotų valiklių ar šlifuojančių medžiagų.
- Kai raktelis pasuktas į įjungimo padėtį, traktoriuko peiliis gali pradėti sukstis, įjungus platformos peilių įjungimo ir išjungimo jungiklį (PTO), netgi nesisukant

pavaros varikliui. Neprileiskite prie traktoriuko pašalinių asmenų, kai įjungiate PTO jungiklį.

- Visos traktoriuko techninės priežiūros ir laikymo vietos turi būti tinkamai vėdinamos pagal galiojančius gaisrinės saugos reikalavimus, kad nekiltų gaisras.
- Šalia baterijų draudžiama rūkyti, naudoti liepsną ar kibirkštis skleidžiančius įrenginius.
- Baterijas laikykite vaikams neprieinamoje vietoje.
- Traktoriuko apsauginiai gaubtai, dangčiai ir apsaugos visada turi būti savo vietose ir tinkamai pritvirtinti. Pažeistus apsauginius įtaisus reikia nedelsiant suremontuoti arba pakeisti. Niekada nekeiskite apsauginių įtaisų konstrukcijos ir jų nepašalinkite.

### 5.2 INFORMACIJA APIE ELEKTROS SISTEMĄ

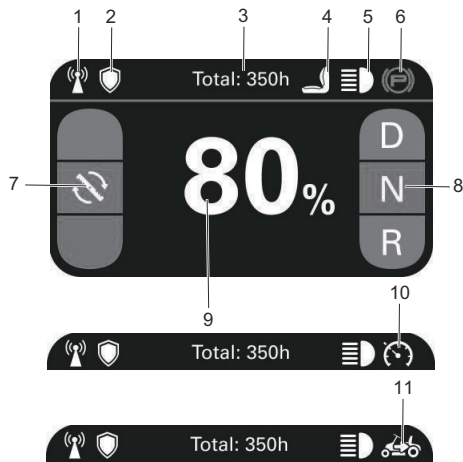
Šį Cramer traktoriuką varo 82 voltų elektros sistema. Ją sudaro šie komponentai:

1. Peilių ir pavaros reguliatorius (1)
2. Peilių variklis (2)
3. Akceleratorius (1)
4. Skaitmeninis ekranas (1)
5. Ratų variklis (1)

## 6. Baterijų skyrius (1)

### 5.3 SKAITMENINIS EKRANAS

Valdymo skydelyje įmontuoto skaitmeninio ekrano funkcija yra pateikti operatoriui informaciją apie elektros sistemą. Jame pateikiama išsami informacija grafiniu būdu, kodais ir numeriais.



Nr .	Pavadinimas	Funkcija
2		GreenShield
3	Total : 350h	Traktoriuko darbo laikas
4		Sėdynės jungiklio kontūras uždarytas
5		LED žibintai
6		Įjungtas stovėjimo stabdys
7		Peilių sukimosi greitis
8	D/N/R	Važiavimo kryptis: važiavimas pirmyn (D), neutrali padėtis (N) ir atbulinė eiga (R)
9	80%	Baterijų įkrova procentais
10		Greičio palaikymas
11		Įjungtas pjovimo judant atbuline eiga režimas

Nr .	Pavadinimas	Funkcija
1		4G GPS signalas

## 6 KLAIDOS

Aptikus problemą CANBUS sistema imasi veiksmų, kad apsaugotų operatorių ir įrenginį. Kai ji suveikia išjungdama įrenginį ar jo komponentą, apie tai pranešama skaitmeniniame ekrane, nurodant klaidos kodą. Visos elektros sistemos klaidos pažymimos kodu iš raidžių ir skaičių. Raidės kodo pradžioje nurodo sistemą, sukėlusią klaidą, kaip paaiškinta šioje lentelėje:

Pavadinimas	Reikšmė
T	Pavaros reguliatorius ir variklis
PMU	Galios valdymo blokas (baterijų skyriuje)
ML	Kairysis peilių variklio reguliatorius
MR	Dešinysis peilių variklio reguliatorius
V	Traktoriukas

## 6.1 KLAIDŲ KODAI

Klaidos kodas	Aprašymas	Sprendimas
T11	Per aukšta įtampa	Įtampa per aukšta. Dar kartą įjunkite maitinimą.
T12	Per žema įtampa	Įtampa per žema. Prieš naudodami įkruvinkite sudėtinę bateriją.
T13	Regulatoriaus savikontrolės testo klaida	Atsiradus šiai problemai kreipkitės į pardavėją.
T14	Išsijungę pavaros variklis	Patikrinkite, ar neįstrigę varantieji ratai ir vėl įjunkite maitinimą.
T15	Variklio koduotuvo klaida	Patikrinkite, ar tinkamai prijungta pavaros regulatoriaus Holo efekto matavimo jungtis, po to vėl įjunkite maitinimą.
T16	Regulatoriaus pavaros kontūro klaida	Atsiradus šiai problemai kreipkitės į pardavėją.
T17	Regulatoriaus pavaros dalies perkaitimas	Per aukšta regulatoriaus temperatūra. Palaukite, kol regulatorius atvės, ir tuomet vėl įjunkite maitinimą.
T18	Pavaros variklio perkaitimas	Per aukšta variklio temperatūra. Palaukite, kol variklis atvės, ir tuomet vėl įjunkite maitinimą.
T21	Pavaros variklio temperatūros jutiklio klaida	Patikrinkite temperatūros jutiklio laidus, ar nepažeisti.
T22	Regulatoriaus pavaros dalyje per stipri srovė (aparatinė įranga)	Apkrova per didelė. Dar kartą įjunkite maitinimą.
T23	Išankstinio įkrovimo klaida	Dar kartą įjunkite maitinimą.
T25	Per stipri srovė pavaroje (programinė įranga)	Apkrova per didelė. Dar kartą įjunkite maitinimą.
T26	Pavaros MOS klaida	Atsiradus šiai problemai kreipkitės į pardavėją.
T27	Variklio fazės praradimas	Patikrinkite, ar tinkamai prijungti pavaros regulatoriaus variklio kabeliai, ir tuomet vėl įjunkite maitinimą.
T28	Pavaros regulatoriaus perkaitimas	Per aukšta regulatoriaus temperatūra. Palaukite, kol regulatorius atvės, ir tuomet vėl įjunkite maitinimą.
V14	Neteisinga piovimo judant atbuline eiga veiksmų seka	Prieš pradėdami pjauti paspauskite piovimo judant atbuline eiga mygtuką.
V15	Traktoriuko savikontrolės testo klaida	<ol style="list-style-type: none"> <li>1. Prieš įjungdami traktoriuką patikrinkite, ar įjungtas stabdys.</li> <li>2. Prieš įjungdami traktoriuką jungikliu atjunkite peilių variklį ir patikrinkite, ar jungiklis tinkamai prijungtas.</li> <li>3. Prieš įjungdami traktoriuką pavarų svirtį perjunkite į N padėtį.</li> <li>4. Patikrinkite, ar tinkamai prijungtas jungiklis po sėdyne.</li> <li>5. Įjungdami traktoriuką nespauskite greičio palaikymo sistemos mygtuko.</li> <li>6. Įjungdami traktoriuką nespauskite akceleratoriaus pedalo.</li> </ol>
V16	Klaidinga veiksmų seka	Grąžinkite akceleratorių ir peilių paleidimo jungiklį į pradines padėtis.
V17	SPI ryšio klaida	Dar kartą įjunkite maitinimą.
V18	Baterijų skyriaus (PMU) triktis	Patikrinkite, ar tinkamai prijungti akceleratoriaus kabeliai ir vėl įjunkite maitinimą.

# Lietuvių k.

Klaidos kodas	Aprašymas	Sprendimas
V22	Peilių signalo klaida	Patikrinkite, ar tinkamai prijungtas peilių paleidimo jungiklis ir gražinkite jį į pradinę padėtį.
V21	PMU CAN ryšio klaida	Pasibaigę ryšio su baterijų skyriumi skirtasis laikas. Dar kartą įjunkite maitinimą.
V23	Operatoriaus sėdynės jungiklio klaida	Patikrinkite, ar tinkamai prijungtas jungiklis po sėdyne ir vėl įjunkite maitinimą.
ML3	Per stipri srovė kairiajame peilyje (programinė įranga)	Patikrinkite pjovimo apkrovą ir vėl įjunkite maitinimą.
ML4	Išsijungę kairysis peilis	Patikrinkite pjovimo apkrovą ir gražinkite peilių paleidimo jungiklį į pradinę padėtį.
ML6	Kairiojo peilio MOS klaida	Atsiradus šiai problemai kreipkitės į pardavėją.
ML7	Kairiojo peilio variklio fazės praradimas	Patikrinkite, ar tinkamai prijungti peilių regulatoriaus ir variklio kabeliai ir vėl įjunkite maitinimą.
ML9	Kairiojo peilio regulatoriaus temperatūros klaida	Per aukšta regulatoriaus temperatūra. Palaukite, kol regulatorius atvės, ir tuomet vėl įjunkite maitinimą.
ML14	Per stipri srovė kairiajame peilyje (aparatinė įranga)	Patikrinkite pjovimo apkrovą ir vėl įjunkite maitinimą.
ML15	Kairiojo peilio paleisti nepavyko	Patikrinkite pjovimo apkrovą ir gražinkite peilių paleidimo jungiklį į pradinę padėtį.
MR3	Apsauga nuo per mažų variklio sūkių	Patikrinkite pjovimo apkrovą ir vėl įjunkite maitinimą.
MR4	Apsauga nuo per didelių variklio sūkių	Patikrinkite pjovimo apkrovą ir gražinkite peilių paleidimo jungiklį į pradinę padėtį.
MR6	Variklio Holo efekto jutiklio klaida	Atsiradus šiai problemai kreipkitės į pardavėją.
MR7	Regulatoriaus fazės praradimas	Patikrinkite, ar tinkamai prijungti peilių regulatoriaus ir variklio kabeliai ir vėl įjunkite maitinimą.
MR9	MOSFET atviro kontūro klaida	Per aukšta regulatoriaus temperatūra. Palaukite, kol regulatorius atvės, ir tuomet vėl įjunkite maitinimą.
MR14	Per žema įtampa reguliatoriuje	Patikrinkite pjovimo apkrovą ir vėl įjunkite maitinimą.
MR15	Per aukšta įtampa reguliatoriuje	Patikrinkite pjovimo apkrovą ir gražinkite peilių paleidimo jungiklį į pradinę padėtį.
PMU10	Sudėtinės baterijos atviro kontūro klaida	Per žema baterijos temperatūra ir temperatūra baterijų skyriuje. Įrenginį naudokite tinkamoje temperatūroje ir vėl įjunkite maitinimą.
PMU11	PMU pagrindinė klaida	Pernelyg aukšta baterijos temperatūra ir temperatūra baterijų skyriuje. Palaukite, kol baterija atvės, ir vėl įjunkite maitinimą.
PMU12	PMU antraeilė klaida	Dėl didelės klaidos baterijų skyriuje pavaros ir peilių sistemos paleidimas užblokuotas. Vėl įjunkite maitinimą ir bandykite dar kartą.
PMU13	Nėra sudėtinės baterijos	Patikrinkite, ar naudojate tinkamą sudėtinę bateriją ir vėl įjunkite maitinimą.
PMU	Nepakanka baterijų, funkcijų skaičius gali būti apribotas.	Prašome įstatyti daugiau baterijų.
Netaikoma	Ekrano ryšio klaida	Prašome patikrinti ekrano jungiamąsias dalis ir CAN tinklą.
	Pasirinktas netinkamas ekranas	Prašome savo traktoriukui pasirinkti tinkamą ekraną.

## 7 TECHNINĖ PRIEŽIŪRA

### 7.1 TRAKTORIUKO PEILIŲ TECHNINĖ PRIEŽIŪRA

Kasdien tikrinkite traktoriuko peilius. Jie yra svarbiausi elementai, norint efektyviai naudoti įrenginį ir pasiekti geriausius pjovimo rezultatus. Peiliai visada turi būti aštrūs – atšipęs peilis žolę plėšia, o ne pjauna, ir per kelias valandas nuplėšta žolės viršūnėlė paruduoja. Be to, atšipusiam peiliui reikia daugiau energijos. Pakeiskite sulenktus, įtrūkusius ar nulaužtus peilius.

#### ▲ ĮSPĖJIMAS

Niekada nebandykite tiesinti sulenкто peilio jį kaitindami, ar virinti įskilusį ar nulaužtą peilį, nes jis gali nulūžti ir sunkiai sužaloti. Pakeiskite sudilusius ar pažeistus peilius.

#### ▲ ĮSPĖJIMAS

Niekada peilių netvarkykite, prieš tai neištraukę iš uždegimo jungiklio raktelio. Pasukite raktelį į išjungimo padėtį ir išimkite iš įrenginio sudėtinę baterijas. Užblokuokite traktoriuko ratus, jei reikia dirbti palindus po juo. Tvarkydami peilius mėvėkite apsaugines pirštines. Visada patikrinkite, ar peiliai nepažeisti, jei pjudami veją su traktoriuku užkliudote akmenį, šaką ar kitą kietą kliūtį!

#### ▲ PAVOJUS

Galandimą galite užbaigti nušlifudami dilde. Po galutinio šlifavimo patikrinkite peilių subalansavimą. Balansavimo įrankį galite įsigyti daugumoje įrankių parduotuvių, arba peilį galite subalansuoti paguldę ant apversto prakalo ar 12,7 mm (1/2 colio) varžto. Peilis neturi nusvirti ar pakrypti. Peilį lėtai sukant jis neturi svyruoti. Jei peilis nesubalansuotas, sureguliuokite jį prieš vėl sumontuodami. Paguldykite peilį ant lygaus paviršiaus ir patikrinkite, ar nedeformuotas. Deformuotus peilius pakeiskite.

#### ▲ ĮSPĖJIMAS

- Išlenкта peilio dalis turi būti nukreipta į viršų į platformos vidų, kad peilis tinkamai pjautų.
- Pritvirtinę peilius juos pasukite ir patikrinkite, ar jie neliečia vienas kito ir traktoriuko korpuso.
- Netinkamai priveržę varžtus galite pamesti peilį, kuris gali sunkiai sužaloti.
- Traktoriuko peiliai yra aštrūs ir gali įpjauti. Tvarkydami peilius mėvėkite apsaugines pirštines ir dirbkite ypač atsargiai.

### 7.1.1 PEILIO KEITIMAS

Žr. paveikslą 17

1. Sustabdykite variklį, ištraukite paleidimo raktelį ir įjunkite stovėjimo stabdį.
2. Pjovimo platformą pakelkite į didžiausią aukštį, kad galėtumėte prieiti prie peilių.

#### i PASTABA

Jei reikia, traktoriuką pakelkite keltuvu ar rankiniu kėliuku, arba nuimkite pjovimo platformą, kaip aprašyta ankstesniame skyriuje, kad prieitumėte prie peilių.

#### ▲ ĮSPĖJIMAS

Jei traktoriuką pakeliate, tinkamai jį įtvirtinkite, ir prieš keldami įjunkite stovėjimo stabdį. Netinkamai įtvirtintas traktoriukas gali nuvirsti ir sunkiai ar net mirtinai sužaloti.

3. Įkiškite medinę trinkelę tarp peilio ir pjovimo platformos, kad peilis negalėtų pasisukti.
4. Prieš laikrodžio rodyklę (žiūrint iš apačios) atsukite peilio veržlę 16 mm veržliarakčiu ar raktu su lizdine galvute (komplekte nėra).
5. Nuimkite peilio veržlę, tarpiklį, peilio izoliatorių ir peilį.
6. Prisukite veržlę prie ašies ir priveržkite ranka.
7. Pagal laikrodžio rodyklę priveržkite peilio veržlę dinamometrinium raktu (komplekte nėra), kad ji būtų tinkamai priveržta. The rekomenduojama peilio priveržimo jėga yra 90–100 Nm (66–74 ft.lbs).



## Lietuvių k.

### ▲ ĮSPĖJIMAS

Patikrinkite, ar peilis tinkamai prigludęs, o jo veržlė priveržta pirmiau nurodyta jėga. Netinkamai pritvirtintas peilis gali atspalaiduoti, išlėkti ir sunkiai sužaloti.

8. Pakartokite procedūrą su antruoju peiliu, jei reikia.

### i PASTABA

Visas dalis reikia pakeisti priešinga tvarka, nei jos buvo nuimtos.

## 7.2 PRIEKINIO ŽIBINTO KEITIMAS

Žr. paveikslą 18

Paskambinkite į klientų aptarnavimo centrą arba apsilankykite mūsų svetainėje internete, kad užsisakytumėte naują priekinį žibintą.

1. Pastatykite traktoriuką ant lygaus paviršiaus ir įjunkite stovėjimo stabdį.
2. Išjunkite variklį ir ištraukite paleidimo raktelį.
3. Išsukite ir pasidėkite šalia traktoriuko grindų skydelio tvirtinimo varžtą su šešiakampe galvute ir plokščią poveržlę.
4. Šiek tiek pakelkite grindų skydelį, kad galėtumėte prieiti prie dviejų priekinio žibinto tvirtinimo varžtų su šešiakampėmis galvutėmis ir plokščių poveržlių. Išsukite varžtus su poveržlėmis ir pasidėkite šalia.
5. Ištraukite senąjį priekinį žibintą ir tinkamai išmeskite.
6. Įstatykite naująjį priekinį žibintą ir prisukite varžtais su poveržlėmis. Tvirtai priveržkite.
7. Nuleiskite grindų skydelį ir prisukite jį varžtu su poveržle.

## 7.3 PADANGOS

Norint lygiai nupjauti veją, svarbu, kad visos padangos būtų tinkamai pripūstos. Rekomenduojamas oro slėgis padangose:

### i PASTABA

Oro slėgį padangose matuoti ir keisti reikia tuomet, kai jos neįkaitę.

Varantieji ratai	8 psi
Priekiniai maži ratai	24 psi

### i PASTABA

Padangas tikrinkite kasdien. Pažeistas padangas nedelsdami pakeiskite.

### ▲ ĮSPĖJIMAS

Pūtimo metu padangose atidžiai tikrinkite oro slėgį. Per daug pripūstus padangą ji gali sprogti ir sunkiai sužaloti.

## 7.4 TEPIMAS

Žr. paveikslą 19

Alyvą prašome pildyti prieš darbą.

Alyvos tipas	SAE85W-140
Alyvos kiekis	180 ml

Kreipkitės į savo Cramer atstovą, kai alyvą norite pakeisti.

### i PASTABA

Pavarų dėžės alyvą pirmąjį kartą reikia keisti po 50 įrenginio darbo valandų, o po to – kas 200 valandų.

## 7.5 PRIVERŽIMO JĖGOS VERTĖS

### ▲ ĮSPĖJIMAS

Ypatingą dėmesį reikia atkreipti į varančiųjų ratų veržlių ir peilių suklių varžtų priveržimą. Netinkamai priveržus šias tvirtinimo detales ratas ar peilis gali nulėkti ir sunkiai sužaloti ar sugadinti turtą.

Šioje lentelėje pateiktos priveržimo jėgos vertės:

Dalis	Ft-lbs.	Nm
Ratų veržlės	89	120
Peilio suklio varžtas	66	90

**Tik ratų veržlėms:** veržlės rekomenduojama patikrinti po pirmųjų 2 darbo valandų, o po to tikrinti kas 100 darbo valandų ir po atsikimo remontuojant ar keičiant.

## 7.6 SUDĖTINĖS BATERIJOS TECHNINĖ PRIEŽIŪRA

Jūsų Cramer traktoriuką maitina sudėtinė baterija, kuri tinkamai prižiūrima užtikrina daug eksploataavimo metų.

Laikykitės šių tinkamos techninės priežiūros nurodymų:

- Kiekvieną kartą po darbo baterijas įkraukite.
- Sudėtinei baterijai visiškai išsikrovus ir atsijungus, rekomenduojama kuo greičiau ją įkrauti. Dėl per didelės sudėtinės baterijos iškrovos sutrumpėja jos eksploataavimo trukmė, arba ją galima nepataisomai sugadinti. Nėra reikalo bateriją įkrauti iki galo: pakanka ją krauti bent 5–10 minučių. Pakartotinai įkrauti rekomenduojama per 24 valandas.
- Reguliariai valykite baterijos skyriuje ir aplink baterijos gnybtus susikaupiančias žolės nuopjovas, nešvarumus ir šiukšles.
- CBaterijas kraukite patalpoje, gerai vėdinamoje ir sausoje vietoje, toliau nuo kibirkščių ir liepsnų. Saugokite įkroviklį nuo lietaus, garų ir skysčių.
- Kraukite tik Cramerličio jonų baterijas.
- Nelieskite neizoliuotų įkroviklio dalių (gnybtų) ir išvado jungties.
- Nenaudokite su pažeistais laidais ir kabeliais. Pažeistus laidus ir kabelius nedelsdami pakeiskite.
- Temperatūra laikymo patalpoje turi būti nuo –20 °C iki 45 °C, jei laikoma neilgiau mėnesio, ir nuo 0 °C iki 35 °C, jei laikoma nuo dviejų iki dvylikos mėnesių.
- Sudėtinės baterijos iškrovimo aplinkos temperatūra turi būti nuo –20 °C iki 55 °C, o įkrovimo aplinkos – nuo 0 °C iki 55 °C.

## 7.7 BATERIJŲ SKYRIAUS FILTRO TECHNINĖ PRIEŽIŪRA

Baterijų skyriaus filtrą reikia keisti kas 200 darbo valandų.

## 7.8 TECHNINĖ PRIEŽIŪRA

### ! SVARBU

Prieš įrenginį reguliuodami, valydami ar remontuodami palaukite, kol sustos visos judančios dalys. Elektros įtampa maitinamas dalis gali techniškai prižiūrėti ir remontuoti tik apmokyti specialistai. Perskaitykite ir laikykitės vadovo pradžioje pateiktų įspėjimų dėl saugos.

### ! SVARBU

Elektros įtampa maitinamas dalis gali techniškai prižiūrėti ir remontuoti tik apmokyti specialistai.

- Pastatykite traktoriuką ant lygaus žemės paviršiaus. Važiavimo krypties valdymo jungiklis turi būti neutralioje padėtyje, o PTO jungiklis – išjungimo padėtyje. Pakelkite pjovimo platformą, pasukite paleidimo raktelį į išjungimo padėtį, ištraukite iš uždegimo jungiklio ir iš baterijų skyriaus po sėdynę išimkite baterijas.
- Visas techninės priežiūros procedūras, kurių metu reikia nuimti apsauginius gaubtus, gali vykdyti tik apmokyti techninės priežiūros specialistai.

- Lazda ar panašia priemone pašalinkite šiukšles nuo traktoriuko dugno taip, kad po įrenginiu nekištumėte jokios savo kūno dalies (ypač rankų).
- Įrenginys visada turi būti švarus, todėl reguliariai valykite nuo jo šiukšles ir žolės nuopjovas.
- Baterijų skyriuje, ant platformos ir operatoriaus darbo vietoje neturi kauptis šiukšlės, žolės nuopjovos ir kitos šiukšlės.
- Išvalykite baterijų skyrių, pavaros variklio skyrių, pjovimo platformą, sėdynę ir pan., pašalindami visus nešvarumus ir šiukšles. Valykite tik suslėgtuoju oru. NENAUDOKITE tirpiklių, koncentruotų valiklių ar šlifuojančių medžiagų.
- Visada užsidėkite tinkamą akių apsaugą, kai tvarkote baterijas ar šlifuojate traktoriuko peilius ir šalinatė susikaupusias šiukšles. Niekada nebandykite traktoriuko pavaros sistemos, pjovimo platformos ar bet kokie padargo reguliuoti ar remontuoti, kai veikia traukos pavaros sistema. Elektros įtampa maitinamas dalis gali techniškai prižiūrėti ir remontuoti tik apmokyti specialistai.
- Niekada nedirbkite palindę po įrenginiu ar padargu, prieš tai tinkamai jo neįtvirtinę keltuvo atramos. Patikrinkite, ar pakeltas ir keltuvo atramų laikomas įrenginys saugiai įtvirtintas.
- Keltuvo atramos turi taip laikyti įrenginį, kad jis nejudėtų paleidus traukos pavaros sistemą ir sukantis varantiesiems ratams. Naudokite tik sertifikuotas keltuvo atramas. Naudokite tinkamas keltuvo atramas, kurios atlaikytų ne mažiau kaip 2000 svarų (907,2 kg) apkrovą. Naudokite tik poromis. Vadovaukitės automobilių keltuvo atramų instrukcijomis.
- Nelieskite įkaitusių įrenginio dalių.
- Visos varžlės ir varžtai turi būti priveržti, ypač peilių tvirtinimo varžtai. Palaikykite tinkamą įrenginio darbinę būklę.
- Niekada nebandykite perdaryti apsauginių įtaisų. Reguliariai tikrinkite, ar jie tinkamai veikia.
- Pasukite paleidimo raktelį į išjungimo padėtį, prieš valydami užsikimšusį nuopjovų išmetimo lovelį.
- Niekada nuopjovų išmetimo lovelio nevalykite įrenginiui veikiant. Prieš valydami pasukite paleidimo raktelį į išjungimo padėtį ir patikrinkite, ar peiliai nustojo sukintis. Užsikimšusią išmetimo zoną valykite lazda. Niekada nevalykite rankomis!
- Prieš bandydami atkimšti nuopjovų išmetimo lovelį, sustabdykite įrenginį ir palaukite, kol peiliai nustos sukintis. Žolės surinkimo sistemos komponentai dyla, jie pažeidžiami ir sugadinami, o tuomet gali atsidendti judančios dalys ir išsviesti šiukšles. Komponentus dažnai tikrinkite ir keiskite gamintojo rekomenduojamomis dalimis, jei reikia.
- Būkite atsargūs, dirbdami po pjovimo platforma, nes traktoriuko peiliai yra labai aštrūs. Tvarkydami peilius mūvėkite apsaugines pirštines ir dirbkite ypač atsargiai.
- Naudokite tik originalias Cramer traktoriuko dalis, kad išlaikytumėte originalią įrenginio konstrukciją.
- Prieš gabendami įrenginį visada išimkite baterijas. Pašalinkite nuo įrenginio žolės nuopjovas, lapus ir kitas šiukšles.
- Dažnai tikrinkite, kaip veikia stabdžiai. Sureguliuokite ir sutvarkykite, jei reikia.
- Prižiūrėkite ar pakeiskite lipdukus su saugos nurodymais ir instrukcijomis, jei reikia.
- Vejos pjovimo traktoriuko techninę priežiūrą gali vykdyti tik kvalifikuotas remonto įmonės darbuotojas, naudodamas tik originalias atsargines dalis. Taip užtikrinsite traktoriuko saugą.
- Įkrovimui naudokite tik gamintojo nurodytą įkroviklį. Įkroviklį, kuris skirtas vieno tipo sudėtinei baterijai, naudojant su kito tipo sudėtine baterija gali kilti gaisras.

## 8 GABENIMAS IR LAIKYMAS

### 8.1 GABENIMAS

#### ▲ ĮSPĖJIMAS

Būkite ypač atsargūs, kai įrenginį kraunate į priekabą ar iš jos iškraunate. Paspauskite mažo važiavimo greičio mygtuką ir atsargiai reguliuokite traktoriuko judėjimo greitį. Į priekabą visada užvažiuokite atbuline eiga. Traktoriuko pakrovimo ir iškrovimo metu niekada neviršykite maksimalaus rekomenduojamo 15° pasvirimo kampo. Nesilaikant šių nurodymų galima nesuvaldyti traktoriuko ir sunkiai ar net mirtinai susižaloti ar sugadinti turtą.

## ▲ ĮSPĖJIMAS

Būkite atsargūs traktoriuko pakrovimo ir iškrovimo iš priekabos metu. Pjovimo platforma turi būti pakelta į didžiausią aukštį, kad neužkliudytų nuožulnos. Traktoriuko ratai gali nuslysti nuo nuožulnos ar priekabos ir įrenginys gali nuvirsti, sukeldamas prispaudimo ir sunkaus ar net mirtino sužalojimo pavojų.

1. Pastatykite traktoriuką ant lygaus paviršiaus.
2. Pakelkite pjovimo platformą į didžiausią aukštį.
3. Pagal gamintojo instrukcijas pastatykite prie traktoriuko nuožulną ir ją įtvirtinkite.

## i PASTABA

Rekomenduojame naudoti vieną, bent 30 cm už traktoriuko plotį platesnę pakrovimo nuožulną, kad iki minimumo sumažėtų įrenginio ratų nuslydimo į nuožulnos šoną pavojus.

4. Atbuline eiga lėtai užvažiuokite su traktoriuku ant nuožulnos ir į priekabą.
5. Iki galo nuleiskite pjovimo platformą.
6. Įjunkite stovėjimo stabdį.
7. Išjunkite traktoriuką ir ištraukite paleidimo raktelį.
8. Tinkamai traktoriuką įtvirtinkite diržais ar trosais, kad jis nejudėtų gabenimo metu.

## ▲ ĮSPĖJIMAS

Kad gabenamas traktoriukas atsitiktinai neįsijungtų ir nepajudėtų, sunkiai sužalodamas, visada ištraukite paleidimo raktelį ir įjunkite stovėjimo stabdį.

## 8.2 VALYMAS IR LAIKYMAS

### 8.2.1 ĮRENGINIO VALYMAS

- Nuvalykite nuo variklio gaubto prilipusias žolės nuopjovas ir lapus (neplaukite variklio aukšto slėgio srove).
- Retkarčiais traktoriuką nušluostykite sausu skuduru.
- Jei darbo metu šiukšlės prikimba prie traktoriuko dugno, sustabdykite variklį, išjunkite įrenginį ir nugrandykite tinkamu įrankiu.

### 8.2.2 PJOVIMO PLATFORMOS PLOVIMAS

Žr. *paveikslą 20*

- Įjunkite stovėjimo stabdį.
- Nuleiskite pjovimo platformą į žemiausią padėtį.
- Prijunkite prie sodo žarnos plovimo jungties greitojo sujungimo movą.
- Prijunkite sodo žarną su prijungta mova prie pjovimo platformos plovimo jungties. Plovimo jungtis yra kairėje pjovimo platformos pusėje.
- Paleiskite vandenį.
- Ištraukite PTO jungiklį, kad traktoriuko peiliai pradėtų sukstis, ir nustatykite didžiausią peilių sukimosi greitį.
- Plaukite vandeniu platformos apačią maždaug vieną minutę.
- Atjunkite traktoriuko peilius, nuspausdami PTO jungiklį žemyn.
- Užsukite vandenį ir nuo plovimo jungties atjunkite sodo žarną su greitojo sujungimo mova.
- Nuimkite movą nuo sodo žarnos ir pasidėkite kitam kartui.
- Išjunkite traktoriuką.

### 8.2.3 ĮRENGINIO LAIKYMAS

Toliau išvardinti žingsniai, kuriuos reikia atlikti, norint paruošti įrenginį laikymui:

- Nuvalykite įrenginį, kaip aprašyta ankstesniame skyriuje.
- Patikrinkite peilius ir juos pagaląskite arba pakeiskite, jei reikia (žr. skyrių apie techninę priežiūrą).
- Nelaikykite įrenginio šalia esdinančių medžiagų, tokių kaip trąšos ar akmens druska.
- Įrenginį laikykite vaikams neprieinamoje vietoje.

- Neuždenkite aklinaį įrenginio plastikine plėvele. Po plastikine uždanga kaupiasi drėgmė, sukianti įrenginio koroziją.
- Įrenginį kruopščiai patikrinkite, ar nesudilę ir nepažeistos dalys, kurias reikia pakeisti užsakant pas įrenginio pardavėją.
- Prašome kreiptis į techninės priežiūros centrą, kad įrenginį kruopščiai suteptų.
- Iki galo įkraukite ir paruoškite laikymui baterijas.
- Neišeiskite iš padangų oro.
- Įrenginį reikia laikyti gerai vėdinamoje, švarioje ir sausoje vietoje, nes baterijų įkroviklio negalima naudoti drėgnoje aplinkoje.
  - Baterijos visada turi būti iki galo įkrautos. Labai svarbu jas apsaugoti nuo sugadinimo, kai temperatūra nukrenta žemiau 32 °F (0 °C).
  - Įkroviklio adapterį prijunkite prie įkrovimo jungties ir baterijų, kaip aprašyta elektros sistemos skyriaus poskyryje apie įkrovimo adapterį.
  - Prijunkite įkroviklį prie tinkamo elektros lizdo. Daugiau informacijos apie įkroviklio naudojimą ir baterijų įkrovimą rasite elektros sistemos skyriaus poskyriuose apie baterijų įkroviklį, baterijų įkrovimą ir įkrovimo rekomendacijas.
  - Kad baterijų eksploatavimo trukmė būtų kuo ilgesnė, rekomenduojama jas iki galo įkrauti po kiekvieno naudojimo.

## 8.2.4 PARUOŠIMAS DARBUI PO LAIKYMO

Toliau išvardinti žingsniai, kuriuos reikia atlikti, norint paruošti įrenginį darbui po laikymo:

- Iki galo įkraukite baterijas.
- Patikrinkite oro slėgį padangose ir jas pripūskite, jei reikia.
- Trumpai pavažinėkite traktoriuku, patikrindami visas sistemas ir komponentus, ar jie tinkamai veikia.

## 9 TRIKČIŲ ŠALINIMAS

PROBLEMA	GALIMA PRIEŽASTIS	SPRENDIMAS
Traktoriukas nepjauna žolės.	Baterijų skyriuje nėra baterijų arba naudojama netinkamo tipo Cramer sudėtinė baterija.	Kad traktoriukas tinkamai veiktų, į baterijų skyrių turi būti įstatyta bent 1 Cramer sudėtinė baterija.
	Sudėtinė baterija neįkrauta.	Patikrinkite sudėtinės baterijos įkrovą.
	Niekas nesėdi vairuotojo sėdynėje arba sėdynės jungiklio kontūras neuždarytas.	Vairuotojas turi atsistoti ant sėdynės.
	Įjungtas stovėjimo stabdys	Patikrinkite, ar visiškai atjungtas stovėjimo stabdys, kad ratai galėtų laisvai sukstis.
	Baterijų skyrius yra neveikimo būsenoje.	Pasukite paleidimo raktelį į išjungimo padėtį, palaukite ne mažiau 5 sekundžių ir vėl bandykite įjungti įrenginį.
Netikėtas gedimas važiavimo metu.	Baterija neįkrauta.	Kad traktoriukas tinkamai veiktų, į baterijų skyrių turi būti įstatyta bent 1 Cramer sudėtinė baterija, kuri turi būti įkrauta.
	Nelygus ir duobėtas kelias, dėl kurio atsijungė operatoriaus sėdynės jungiklis.	Įjunkite stovėjimo stabdį, vėl įjunkite įrenginį ir paspauskite važiavimo mygtuką.
	Sugedo akceleratoriaus pedalas.	Kreipkitės į Cramer techninės priežiūros specialistus.
	Sugedo pavaros reguliatorius.	Kreipkitės į Cramer techninės priežiūros specialistus.
Ištraukus PTO jungiklį peiliai nesisuka.	Baterijų skyriuje nėra baterijų arba naudojama ne Cramer baterija.	Kad traktoriukas tinkamai veiktų, į baterijų skyrių turi būti įstatyta bent 1 Cramer sudėtinė baterija, kuri turi būti įkrauta.
	Baterijų įkrova nukrito žemiau 5 %.	Patikrinkite sudėtinės baterijos įkrovą ir įkraukite, jei ji per žema.
	Operatoriaus sėdynės jungiklio kontūras neuždarytas.	Vairuotojas turi sėdėti ant sėdynės.
	Prieš įjungiant maitinimą peilių jungiklis (PTO) nenustatytas į pradinę padėtį.	Nuspauskite PTO jungiklį ir vėl jį ištraukite.
	Blokuojamas peilių variklis ar įsijungusi kita apsauginė funkcija.	Patikrinkite, ar tarp peilių ir variklio neįsivėlė piktžolių ar šiukšlių, trukdančių peiliui sukstis. Prieš įjungiant reikiamą pavarą, rekomenduojama pakelti pjovimo platformą ir paleisti peilius.
	Tinkamai neveikia važiavimo reguliatorius.	Patikrinkite, ar ekrane nerodomas kitoks klaidos kodas.
Peiliai sustoja žolės pjovimo metu.	Tinkamai neveikia peilių reguliatorius.	Patikrinkite ekrane rodomą klaidos kodą.
	Peilių variklio perkrova.	Išvalykite pjovimo platformos vidų, patikrinkite peilius, ar jie įprastai sukasi, nuspauskite PTO, vėl įjunkite įrenginį ir sumažinkite peilių apkrovą, pakeldami pjovimo platformą arba sumažindami važiavimo greitį.
	Per aukšta sudėtinės baterijos temperatūra.	Nepradėkite dirbti iš karto po baterijų įkrovimo, nes gali įsijungti apsauga nuo aukštos sudėtinės baterijos temperatūros.
	Baterijų įkrova nukrito žemiau 5 %.	Sudėtinės baterijos įkrova per žema, prašome bateriją įkrauti.

# Lietuvių k.

PROBLEMA	GALIMA PRIEŽASTIS	SPRENDIMAS
	Peilis atsitrenkė į kliūtį ir staiga sustojo.	Pasukite paleidimo raktelį į išjungimo padėtį ir palaukite ne mažiau 5 sekundžių, o po to vėl įjunkite įrenginį.
	Tinkamai neveikia važiavimo reguliatorius.	Patikrinkite ekrane rodomą klaidos kodą.
Traktoriukas žolę pjauna nelygiai ir jos aukščių skirtumas labai didelis.	Peilis atšipęs.	Pagaląskite peilį pagal nurodymus šiame vadove.
	Peilis sulenktas.	Pakeiskite sulenktą peilį pagal nurodymus šiame vadove; keisdami mūvėkite apsaugines pirštines.
	Pjovimo platforma pakrypusi.	Išlyginkite pjovimo platformą pagal nurodymus taip, kad jos aukštis kairėje ir dešinėje pusėse būtų vienodas.
Realus pjovimo aukštis neatitinka pasirinkto pjovimo aukščio.	Atsivalaidavę pjovimo platformos tvirtinimo varžtai.	Tinkamai priveržkite visus pjovimo platformos tvirtinimo varžtus. Pastaba: priveržus tvirtinimo varžtus, platformą reikia iš naujo išlyginti horizontalios plokštumos atžvilgiu.
	Platforma stipriai pažeista ar sugadinta.	Pakeiskite pjovimo platformą nauja.
Žolė pjaunama netinkamai, draskoma.	Veja per drėgna.	Prieš pjaudami patikrinkite vejos būklę. Jei žolė per drėgna, palaukite, kol vėjas ar saulė ją išdžiovins po lietaus ar rasos.
	Traktoriukas nustatytas vienu metu pjauti per daug žolės.	Jei žolė per tanki ar per aukšta, pakelkite pjovimo platformą, kad vienu metu pjautumėte mažiau žolės.
Įrenginys per daug vibruoja.	Atsivalaidavę peiliai.	Priveržkite peilius pagal nurodymus šiame vadove.
	Peiliai sulenkti.	Pakeiskite sulenktą peilį pagal nurodymus šiame vadove; keisdami mūvėkite apsaugines pirštines.
	Pasvirusi pjovimo platforma.	Išlyginkite pjovimo platformą pagal nurodymus taip, kad jos aukštis kairėje ir dešinėje pusėse būtų vienodas.
	Atsivalaidavusi pjovimo platforma.	Užfiksuokite platformos tvirtinimo varžtus.
	Traktoriukas nustatytas vienu metu pjauti per daug žolės.	Jei žolė per tanki ar per aukšta, pakelkite pjovimo platformą, kad vienu metu pjautumėte mažiau žolės.
Po pjovimo ant vejos lieka žolė, lapai ar šiukšlės.	Traktoriukas nustatytas vienu metu pjauti per daug žolės.	Jei žolė per tanki ar per aukšta, pakelkite pjovimo platformą, jei vejos aukštis viršija 15 cm, pjaukite ją per du kartus, venkite pjauti vešlią žolę.
	Veja per drėgna.	Prieš pjaudami patikrinkite vejos būklę; jei žolė per drėgna, palaukite, kol vėjas ar saulė ją išdžiovins po lietaus ar rasos.
	Vaziavimo greitis per didelis.	Sumažinkite vaziavimo greitį.
	Peiliai sukasi per lėtai.	Padidinkite peilių sukimosi greitį.
Trumpa pjovimo trukmė.	Pjaunant vešlią žolę pjovimo trukmė gali sutrumpėti.	Pakelę pjovimo platformą arba sumažinę peilių sukimosi greitį galite pailginti pjovimo su viena įkrova trukmę.
Traktoriukas sunkiai valdomas.	Skirtingas oro slėgis padangose.	Pagal nurodymus šiame vadove reguliariai tikrinkite oro slėgį traktoriuko padangose.
Traktoriukas neįsijungia po plovimo.	Netinkamas plovimas: vanduo pateko į LED ekraną, baterijų skyrių ar kitus elektrinius komponentus.	<ol style="list-style-type: none"> <li>1. Prašome laikytis įrenginio valymo nurodymų.</li> <li>2. Jei traktoriuką netyčia užliejote, pastatykite jį sausoje vietoje 12 valandų, kad išdžiūtų, arba prieš darbą išdžiovinkite suslėgtojo oro srove.</li> <li>3. Kreipkitės į Cramer techninės priežiūros specialistus.</li> </ol>
Traktoriukas užblokuotas.	Piktžolės ir šiukšlės užkimšo pjovimo platformą.	Prašome laikytis traktoriuko valymo po kiekvieno naudojimo instrukcijų.

# Lietuvių k.

PROBLEMA	GALIMA PRIEŽASTIS	SPRENDIMAS
Stovėjimo padėtyje įrenginys slysta šlaitu ir buksuoja.	Nudilę padangos.	Kreipkitės į techninės priežiūros specialistus, kad pakeistų padangas.
	Elektromagnetinis stabdys sugadintas arba sudilęs.	Kreipkitės į techninės priežiūros specialistus, kad pakeistų elektromagnetinį stabdį.
	Elektromagnetinis stabdys atleistas rankiniu būdu.	Patikrinkite elektromagnetinį stabdį ir gražinkite jį į pradinę padėtį.

## 10 TECHNINIAI DUOMENYS

Modelio Nr.	82LT107
Įtampa	82 V
Bendroji traktoriuko masė	106±3 kg
Ilgis	170 cm
Aukštis	117 cm
Plotis (su nuopjovų išmetimo loveliu)	135 cm
Plotis (be nuopjovų išmetimo lovelio)	107 cm
Pjovimo platformos plotis	107 cm
Važiavimo pirmyn greitis	0-8 mph
Važiavimo atbuline eiga greitis	0-3 mph
Pjovimo aukščio diapazonas	3.81-11.4 cm
Aukščio reguliavimo lygmenys	7 vnt.
Variklio sūkių skaičius be apkrovos	2400/3000/3200 sūkiai/min.
Įkrovimo trukmė	4 val. (su 8 A įkrovikliu)
Variklio galia	1.2 kW (peilių variklis)
	1.2 (pavaros variklis)
Maks. šlaito nuolydis	15°
Peilių skaičius (išmetimas / mulčiavimas)	2 vnt.
Išmatuotas garso slėgio lygis	$L_{pA} = 84.77 \text{ dB(A)}$ , $K_{pA} = 3 \text{ dB(A)}$
Išmatuotas garso galios lygis	$L_{WA} = 98.24 \text{ dB(A)}$
Garantuotas garso galios lygis	$L_{WA,d} = 100 \text{ dB(A)}$
Vibracija	Rankos: $\leq 2.5 \text{ m/s}^2$ , $K = 1.5 \text{ m/s}^2$
	Kūnas: $\leq 2.5 \text{ m/s}^2$ , $K = 1.5 \text{ m/s}^2$

## 11 RIBOTOJI GARANTIJA

### 11.1 ŠIOS GARANTIJOS APRĖPTIS

Cramer šią garantiją suteikia tik pirmajam pirkėjui („Savininkui“), t. y. šios garantijos negalima perleisti.

**A. Naudojimas namų ūkyje:** Cramer gaminiams, kurie naudojami įprastame namų ūkyje\*, suteikiama penkerių (5) metų arba 1 500 bendro naudojimo valandų (kas pasibaigia anksčiau) garantija nuo įsigijimo datos; ši garantija taikoma visoms važiuoklės, pjovimo platformos ir baterijų medžiagoms ir gamybai. Susidėvintiems dalims, pvz.,



padangoms ir peiliams, suteikiama trisdešimtys (30) dienų garantija nuo įsigijimo datos. Jei garantinio laikotarpio metu Savininkas aptinka medžiagų ar gamybos defektus:

- Savininkas privalo nedelsiant pranešti Cramer arba įgaliotajam atstovui apie defektą raštu arba el. laišku, telefonu, programėlėje arba asmeniškai. Tokio pranešimo Cramerar įgaliotasis atstovas jokiais atvejais negali gauti vėliau, nei praėjus penkeriems (5) metams nuo įsigijimo datos.
- Per pagrįstą laiką po tokio pranešimo gavimo ir garantinio defekto patikrinimo Cramer pašalins bet kokį gaminio medžiagos ar gamybos defektą, Cramer savo nuožiūra suremontuodamas ar pakeisdamas dalį (-is) naujomis ar naudotomis atsarginėmis dalimis.
- Tokį remontą, įskaitant dalių ir darbo kaštus, Cramer atliks savo lėšomis ir tik pirmajam Savininkui.

**B. Naudojimas komerciniais tikslais:** Cramer gaminiams, kurie naudojami komerciniams ar įstaigos tikslams, suteikiama penkerių (5) metų arba 1 500 bendro naudojimo valandų (kas pasibaigia anksčiau) garantija nuo įsigijimo datos; ši garantija taikoma visoms važiuoklės, pjovimo platformos ir baterijų medžiagoms ir gamybai. Susidėvintiems dalims (įskaitant padangas ir peilius, tačiau jomis neapsiribojant) suteikiama trisdešimtys (30) dienų garantija nuo įsigijimo datos. Jei garantinio laikotarpio metu Savininkas aptinka medžiagų ar gamybos defektus:

- Savininkas privalo nedelsiant pranešti Cramer arba įgaliotajam atstovui apie defektą raštu arba el. laišku, telefonu, programėlėje arba asmeniškai. Tokio pranešimo Cramerar įgaliotasis atstovas jokiais atvejais negali gauti vėliau, nei praėjus penkeriems (5) metams nuo įsigijimo datos.
- Per pagrįstą laiką po tokio pranešimo gavimo ir garantinio defekto patikrinimo Cramer pašalins bet kokį gaminio medžiagos ar gamybos defektą, Cramer savo nuožiūra suremontuodamas ar pakeisdamas dalį (-is) naujomis ar naudotomis atsarginėmis dalimis.
- Tokį remontą, įskaitant dalių ir darbo kaštus, Cramer atliks savo lėšomis ir tik pirmajam Savininkui (komerciniam).

## į PASTABA

Netinkamai prižiūrint baterijas ir jų neįkraunant, sutrumpėja jų eksploataavimo trukmė ir panaikinama baterijoms suteikta garantija. Šios ribotos garantijos sąlygos netaikomos gedimams, kurie įvyko dėl šių priežasčių:

- Nepriežiūros ar aplaidumo, pvz., sugadinimo dėl patekusio vandens, atspalaidavusių laidų ar surūdijusių komponentų.
- Tinkamos techninės priežiūros trūkumo; sugadinimo dėl netinkamo baterijos įstatymo; nepriežiūros, sulūžimo, ekstremalių temperatūrų poveikio, įskaitant, tačiau neapsiribojant, šalčio, kaitros, šildymo šaltinių artumo, įskaitant šildytuvus ir ugnį, vandens ar kitų medžiagų poveikio, avarijos, neįkrautos ar per daug įkrautos baterijos.
- Baterijų įkrovimo kitomis nei originalaus baterijų įkroviklio sistemomis.

**Išnaša:** \* „Naudojimas įprastame namų ūkyje“ šiame dokumente reiškia, kad gaminys naudojamas toje pačioje teritorijoje, kur yra jūsų namas. Jei įrenginys naudojamas daugiau nei vienoje vietoje, toks naudojimas laikomas komerciniu ir jam taikomos komercinės garantijos sąlygos.

## 11.2 KAS PRIVALO VYKDYTI GARANTINĮ REMONTĄ

Visas garantinio remonto procedūras turi atlikti Cramer įgaliotasis atstovas arba Cramer įgaliotasis techninės priežiūros specialistas. Techninės priežiūros specialisto iškvietimo garantiniam remontui atlikti ar gaminio gabenimo į techninės priežiūros centrą ir atgal išlaidas padengia gaminio savininkas. Dėl garantinio remonto prašome kreiptis į įgaliotąjį atstovą.

## 11.3 KADA GARANTIJA NEGALIOJA

Cramer garantijos nesuteikia:

- Jei remontą vykdė neįgalioji asmenys.
- Jei gedimo priežastis buvo Cramer gaminio naudojimas kitiems tikslams, nei jis numatytas.
- Jei gedimą sukėlė stichinės nelaimės, pvz., gaisras, potvynis, audra ar žaibas.
- Jei gedimo priežastis buvo nepriežiūra, aplaidumas, netinkamas naudojimas, nelaimingas atsitikimas, neatsargumas ar toks netinkamas naudojimas, kaip sugadinimas įsiskverbus vandeniu.
- Jei gedimo priežastis buvo remontui ar keitimui naudotos neoriginalios dalys, priedai ar įtaisai.
- Jei gedimo priežastis buvo gaminio modifikavimas (konstrukcijos pakeitimas) pagal Cramerapibrėžimą, kuris pakenkė įrenginio darbui, eksploataavimo savybėms ir patvarumui.
- Kitų gamintojų, o ne Cramergaminiams, komponentams ar dalims.
- Gaminiams, kurių pakeisti identifikatoriai, įskaitant, tačiau neapsiribojant su pašalintais ir (ar) neįskaitomais serijos numeriais.

- Susidėvėjimui ar pažeidimui dėl įprasto dilimo, tinkamos techninės priežiūros trūkumo, gaminio vadovo darbo, techninės priežiūros ir reguliavimo ar kitų instrukcijų, kurias pateikė Cramer, nesilaikymo.
- Įprastoms techninės priežiūros ir eksploatacinėms medžiagoms, įskaitant, tačiau neapsiribojant tepimo priemonėmis, reguliavimo dalims, peiliams, peilių galandimui, guoliams, stabdžių ar vairo reguliavimui.
- Gaminiais, kurie netinkamai užprogramuoti, įskaitant parametrų pakeitimą, neoriginalias programėles ar reguliavimą arba bet kokį neteisėtą komponentų, elektroninių dalių ar programinės įrangos pakeitimą.

## 11.4 GARANTIJOS RIBOJIMAS

Šiame vadove pirmiau pateikta garantija pakeičia visas kitas garantijas, susijusias tiesiogiai ar netiesiogiai, įskaitant, tačiau neapsiribojant numanomomis tinkamumo pardavimui ir tam tikram tikslui garantijas. Vis dėlto, jei Cramer gaminys yra įsigytas kaip vartojimo prekė, bet kokia numanoma tinkamumo pardavimui ar tam tikram tikslui garantija yra apribojama šios ribotos garantijos galiojimo laikotarpiu. Kai kuriose valstybėse neribojama numanomoms garantijoms trukmė, todėl čia pateikti ribojimai gali būti jums netaikomi. Ši garantija jums suteikia konkrečias įstatymais numatytas teises ir jūs galite turėti kitų teisių, kurios skirtingose šalyse skiriasi.

## 11.5 KOMPENSACIJŲ RIBOJIMAS

Jokias atvejais Cramer neatsako už bet kokią specialią, atsitiktinę ar logiškai išplaukiančią žalą, atsiradusią dėl garantijos nutraukimo, sutarties nutraukimo, aplaidumo, griežtos atsakomybės už veiksmus ar bet kokio kito įstatyminio reglamentavimo. Tokia žala gali būti, įskaitant, tačiau neapsiribojant:

- Pelno praradimas.
- Santaupų ar pajamų praradimas.
- Negalėjimas naudotis Cramer gaminiu ar susijusia įranga.
- Investicinės išlaidos.
- Išlaidos bet kokiai pakaitiniam įrangai, priemonėms, paslaugoms ar dėl prastovų.
- Trečiųjų šalių pretenzijos, įskaitant klientus, ir turto sugadinimas.

## 11.6 LAIKO RIBA

Jei valstybės įstatymuose nenurodyta kitaip:

Bet kokie veiksmai dėl garantijos pažeidimo turi būti įvykdyti per penkerius (5) metus arba šešiasdešimt (60) mėnesių nuo įsigijimo datos namų ūkiu ir (ar) komerciniams tikslams.

Jei prieš įsigijant pirmajam klientui gaminio pagaminimo data viršija pagrįstą laikotarpį, Cramer garantija gali būti papildomai apribota.

## 11.7 JOKIŲ KITŲ GARANTIJŲ

Šis susitarimas turi būti suprantamas kaip išsami ir išskirtinė sutartis tarp šalių, pakeičianti visas ankstesnes sutartis, sudarytas žodžiu ar raštu, ir visą bendravimą tarp šalių, susijusį su šios sutarties dalyku.

## 11.8 SAVININKO ATSAKOMYBĖ

Jūs privalote prižiūrėti savo Cramer gaminį pagal savininko vadove aprašytas techninės priežiūros instrukcijas. Šias reguliarias techninės priežiūros procedūras jūs turite atlikti savo lėšomis, net jei jas atlieka įgijotasis atstovas.

Šis įrenginys, kaip ir bet kokia kita elektra varoma įranga, netinkamai naudojamas gali būti pavojingas. Bet kuris įrenginį naudojantis operatorius turi būti atsargus ir dirbti saugiai. Prieš pradėdamas naudoti Cramer gaminį operatorius turi perskaityti savininko vadovo skyrius apie darbą su įrenginiu ir jo saugą, taip pat visus ant įrenginio pateiktus įspėjimus dėl saugos.

## 11.9 RIZIKOS PASKIRSTYMAS

Šioje sutartyje riziką dėl gaminio gedimo paskirstyta tarp Cramer ir Savininko. Šį paskirstymą pripažįsta abi šalys ir jis įtrauktas į gaminio kainą.

## 11.10 GARANTIJOS REGISTRAVIMAS

Jei valstybės įstatymuose nenurodyta kitaip:

1. Savininkai įrenginį privalo užregistruoti Cramer per dešimt (10) dienų nuo įsigijimo datos.
2. Registruoti galima užpildant garantijos registracijos formą, kuri pateikta operatoriaus vadove.

3. Taip pat užregistruoti galima naudojant atitinkamas formas internete [cramertools.com](http://cramertools.com) arba programėlėje, pateikiant įsigijimo įrodymą (čekį su įsigijimo data).

## 12 EB ATITIKTIES DEKLARACIJA

Gamintojo pavadinimas ir adresas:

Pavadinimas: Greenworks Tools Europe GmbH  
Adresas: Brunnenweg 17, 64331 Weiterstadt, Vokietija

Pavardė ir adresas asmens, įgalioto parengti techninę dokumentaciją:

Pavadinimas: Ralf Pankalla  
Adresas: Brunnenweg 17, 64331 Weiterstadt, Vokietija

Šiuo pareiškime, kad gaminys

Kategorija: Vejos pjovimo traktoriukas  
Modelis: 82LT107  
Serijos Nr.: Žr. gaminio techninių duomenų plokštelę  
Pagaminimo metai: Žr. gaminio techninių duomenų plokštelę

- atitinka susijusias Mašinų direktyvos 2006/42/EB nuostatas;
- atitinka šių kitų EB direktyvų nuostatas:
  - 2014/30/ES
  - 2011/65/ES ir (ES) 2015/863

Be to, patvirtiname, kad buvo vadovaujama šių Europos darniųjų standartų dalimis ir sąlygomis:

- EN 62841-1, EN ISO 5395-1, EN ISO 5395-3, EN ISO 14982, IEC 62321-3-1, IEC 62321-4, IEC 62321-5, IEC 62321-6, IEC 62321-7-1, IEC 62321-7-2, IEC 62321-8

Vieta, data: 11.11.2022

Parašas: Ted Qu, kokybės direktorius

Ted Qu

<b>1</b>	<b>Apraksts.....</b>	<b>293</b>	7.5	Griezes momenta vērtības.....	306
1.1	Pārskaits.....	293	7.6	Akumulatoru bloka apkope.....	306
1.2	Vadības panelis.....	293	7.7	Akumulatora nodalījuma filtra apkope....	306
<b>2</b>	<b>Mašīnas izpakošana.....</b>	<b>294</b>	7.8	Apkope.....	307
<b>3</b>	<b>Uzstādīšana.....</b>	<b>294</b>	<b>8</b>	<b>Transportēšana un</b>	
3.1	Sēdekļa uzstādīšana.....	294		<b>uzglabāšana.....</b>	<b>308</b>
3.2	Stūres rata uzstādīšana.....	294	8.1	Transportēšana.....	308
3.3	Mulčēšanas pārsega uzstādīšana.....	295	8.2	Tīrīšana un uzglabāšana.....	308
3.4	Aizsargriteņi.....	295	<b>9</b>	<b>Problēmu novēršana.....</b>	<b>310</b>
3.5	Lietotnes izmantošana.....	295	<b>10</b>	<b>Tehniskie dati.....</b>	<b>313</b>
<b>4</b>	<b>Ekspluatācijas instrukcija.....</b>	<b>295</b>	<b>11</b>	<b>Ierobežotā garantija.....</b>	<b>313</b>
4.1	Pirms ekspluatācijas.....	295	11.1	Gadījumi, uz kuriem attiecas garantija...	313
4.2	Mašīnas lietošana.....	297	11.2	Kas veic garantijas servisu?.....	314
<b>5</b>	<b>Elektriskā sistēma.....</b>	<b>299</b>	11.3	Gadījumi, uz kuriem neattiecas	
5.1	Elektriskās sistēmas drošums.....	299		garantija.....	314
5.2	Informācija par elektrisko sistēmu.....	300	11.4	Garantijas atruna.....	315
5.3	Digitālais displejs.....	300	11.5	Atbildības ierobežojumi.....	315
<b>6</b>	<b>Kļūmes.....</b>	<b>300</b>	11.6	Termiņa ierobežojums.....	315
6.1	Kļūdas kods.....	302	11.7	Citu garantiju nav.....	315
<b>7</b>	<b>Apkope.....</b>	<b>304</b>	11.8	Īpašnieka atbildība.....	315
7.1	Zāles plāvēja asmens apkope.....	304	11.9	Risku sadale.....	315
7.2	Priekšējo lukturu nomaiņa.....	305	11.10	Garantijas reģistrācija.....	315
7.3	Riepas.....	305	<b>12</b>	<b>ES atbilstības deklarācija.....</b>	<b>315</b>
7.4	Elļošana.....	306			

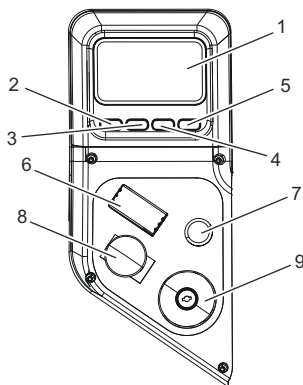
## 1 APRAKSTS

### 1.1 PĀRSKATS

Skatīt atveišķu attēlu lapu 1-20

- |   |                                |
|---|--------------------------------|
| 1. Sēdekļa regulēšanas svira                  | 19. Mulčas pārsegs             |
| 2. Sānu izlādes tekne                         | 20. Gultņu gredzens            |
| 3. Bremžu pedālis                             | 21. Stiprinājuma skavas        |
| 4. Vadības panelis                            | 22. Sērijas numurs             |
| 5. Pļaušanas bloka augstuma regulēšanas svira | 23. Pārī savienošanas kods     |
| 6. Akseleratora pedālis                       | 24. QR kods                    |
| 7. Stāvbremzes rokturis                       | 25. Akumulatora nodalījums     |
| 8. Priekšējie lukturi                         | 26. Akumulators                |
| 9. Krūzes turētājs                            | 27. Akumulatora fiksators      |
| 10. USB ports                                 | 28. Asmens                     |
| 11. Aizsargriteņi                             | 29. Eļļas iepildīšanas atvere  |
| 12. Sēdekļa panelis                           | 30. Eļļas notecināšanas atvere |
| 13. Sēdekļa spraudnis                         | 31. Dārza šūtene               |
| 14. Stūres vārpsta                            | 32. Ātri savienojamā uzdeva    |
| 15. Uzmava                                    | 33. Mazgāšanas pieslēgvietā    |
| 16. Stūres statnis                            |                                |
| 17. Stūres rats                               |                                |
| 18. Aizsargplāksne                            |                                |

### 1.2 VADĪBAS PANELIS



#	Nosaukums	Funkcija
2.	Asmens motora ātruma regulēšana / Atgriezies	Atrodies sākumlapā, pielāgo asmens ātrumu (ciklisko). Nospiediet pogu, lai atgrieztos iepriekšējā lapā.
3.	Navigācijas izvēlne / Lapa uz augšu	Novirza digitālo displeju uz pēdējo lapu. Atgriezties uz sākuma ekrānu.
4.	Lampiņas slēdzis / Lapa uz leju	Atrodies sākumlapā, ieslēdz/izslēdz lampiņas. Novirza digitālo displeju uz nākamo lapu.
5.	Kruīza kontroles poga / Apstiprināt	Nospiediet un turiet 0,4 sek., lai aktivizētu kruīza kontroles funkciju, pēc tam nospiediet pogu, lai apstiprinātu.
6.	Virziena vadības slēdzis	Zāles plāvēja kustības virzienu vada, izmantojot virziena vadības slēdzi. Pieejamie iestatījumi ir piedziņa (D), neitrāls (N) un atpakaļgaita (R).
7.	Poga pļaušanai atpakaļgaitā	Lai pļautu atpakaļgaitā, ir jāaktivizē atpakaļgaitas pļaušanas poga.
8.	Barošanas slēdzis	Slēdzi izmanto, lai ieslēgtu un izslēgtu zāles plāvēju. Pirms slēdzi var darbināt, ir jāievieto iedarbināšanas atslēga.
9.	Pļaušanas bloka asmeņu ieslēgšanas/izslēgšanas slēdzis (jūgvārpsta)	Ar šo slēdzi ieslēdz asmeņu motorus. Lai ieslēgtu motorus, paveldiet slēdzi uz augšu, un, lai izslēgtu, nospiediet slēdzi uz leju.

### i SVARĪGI

Nekad neieslēdziet asmeņu motorus, ja uz pļaušanas bloka ir slodze. Var tikt bojāti motori vai pļaušanas bloks.

#	Nosaukums	Funkcija
1.	Digitālais displejs	Šajā displejā tiek rādīta svarīga informācija par elektrisko sistēmu. Pilnīga informācija pieejama sadaļā „Elektriskā sistēma”.

## 2 MAŠĪNAS IZPAKOŠANA

### ▲ BRĪDINĀJUMS

Pirms sākat lietot mašīnu, pārlicinieties, vai tā ir pareizi salikta.

### ▲ BRĪDINĀJUMS

- Neizmantojiet mašīnu, ja tās daļas ir bojātas.
- Ja trūkst kādas daļas, nelietojiet mašīnu.
- Ja trūkst kādas daļas vai tās ir bojātas, sazinieties ar servisa centru.

1. Atveriet iepakojumu.
2. Izlasiet komplektācijas kārbā iekļauto dokumentāciju.
3. Izņemiet no komplektācijas kārbas visas nesamontētās daļas.
4. Izņemiet no komplektācijas kārbas mašīnu.
5. Atbrīvojieties no kārbas un iepakojuma materiāla atbilstoši vietējiem noteikumiem.

### ▲ BRĪDINĀJUMS

Jūsu drošības labad neievietojiet akumulatoru instrumentā, kamēr tas nav pilnībā samontēts.

## 3 UZSTĀDĪŠANA

### 3.1 SĒDEKĻA UZSTĀDĪŠANA

Skatīt attēlu 3

1. Novietojiet sēdekļa komplektu virs sēdekļa paneļa un salāgojiet caurumus atbilstoši attēlā norādītajam.
2. Ievietojiet skrūves, paplāksnes un uzgriežņus un stingri pievelciet.
3. Pēc tam piestipriniet uzmavas pie uzgriežņiem.
4. Pārlicinieties, vai tās ir stingri nofiksētas.
5. Savienojiet sēdekļa spraudni ar mašīnu.

### 3.2 STŪRES RATA UZSTĀDĪŠANA

Skatīt attēlu 4-5

### i PIEZĪME

Atverei ir jābūt vērstai uz augšu pret sēdekli.

1. Ievietojiet stūres vārpstu savienošanas uzmavā un pēc vajadzības pagrieziet, lai savienotu vārpstas atveri ar bultskrūves atveri savienošanas uzmavā.
2. Ielieciet abas skrūves un stingri pieskrūvējiet.

### i PIEZĪME

Pivelciet skrūves līdz vērtībai, kā parādīts attēlā.

3. Stūres statņa uzstādīšana. Ļemiet vērā izciļņus stūres statņa apakšējā daļā, kam jāiekļaujas atveres caurumiņos, un stingri nostipriniet stūres statni.
4. Pārlicinieties, vai zāles plāvēja ritenis ir vērsts taisni uz priekšu, pēc tam ar spēku uzlieciet stūri virs stūres statņa.
5. Ielieciet abas skrūves un paplāksni; stingri pieskrūvējiet.
6. Uzstādiet stūres rata pārsega plāksni.

## 3.3 MULČĒŠANAS PĀRSEGA UZSTĀDĪŠANA

Skatīt attēlu 6

Piegādes brīdī zāles plāvējs ir konfigurēts nopļautās zāles izlādēšanai no sāniem. Ja ir nepieciešama mulčēšana:

1. Novietojiet mulčas pārsegu uz plāvēja korpusa izciļņa.
2. Savienojiet mulčas pārsega caurumus ar plāvēja korpusa caurumiem.
3. Ievietojiet un pieskrūvējiet bulskrūves, skrūves, stiprinājuma skavas un gultņu gredzenu, kā tas parādīts attēlā.

## 3.4 AIZSARGRITENĪ

Skatīt attēlu 2

Aizsargriteņu komplekti ietilpst standarta Cramer komplektācijā. Šie aizsargriteņi ir izstrādāti, lai samazinātu riteņu bojājumus, pļaujot uz raupjas virsmas, nelīdzenā reljefā. Pēc pļaušanas augstuma iestatīšanas noregulējiet aizsargriteņus tā, lai tie atrastos zem pļaušanas bloka līmeņa, bet nesaskartos ar zemi. Tiem vienmēr jābūt vismaz 0,6–1,9 cm zem pļaušanas bloka līmeņa. Mašīnai atrodoties uz līdzenas virsmas, riteņa stāvokli pēc vajadzības var noregulēt uz augšu vai uz leju no 1,9 cm līdz 4,4 cm zem asmens virsmas. Pārvietojiet riteņus uz augšu vai uz leju, izmantojot ass stiprinājuma caurumus riteņa stiprinājuma kronšteinā (ja ar tādiem ir aprīkots modelis).

## 3.5 LIETOTNES IZMANTOŠANA

Skatīt attēlu 7-8

1. Apmeklējiet Autoparka pārvaldības tīmekļa vietni: [fleet.cramertools.com](http://fleet.cramertools.com)
2. Izveidojiet kontu un pēc tam piesakieties lietotnē.
3. Uzaiciniet citus lietotājus pievienoties savai organizācijai.
4. Noskenējiet QR kodu, lejupielādējiet lietotni un piesakieties sistēmā.
5. Pievienojiet ierīci. Atrodiet sērijas numuru, pārī savienošanas kodu un QR kodu, kas atbilst šajā rokasgrāmatā norādītajam transportlīdzekļa etiķetes kodam. Noskenējiet QR kodu vai ievadiet to manuāli.

## 4 EKSPLUATĀCIJAS INSTRUKCIJA

### 4.1 PIRMS EKSPLUATĀCIJAS

#### 4.1.1 SĒDEKĻA REGULĒŠANA

Skatīt attēlu 9

Noregulējiet sēdekļa stāvokli pirms pļaujmašīnas iedarbināšanas, lai pārliecinātos, ka varat stingri nospiest akseleratora un bremžu pedāli.

1. Apsēdieties uz sēdekļa un paceliet sēdekļa regulēšanas sviru.
2. Pieturot sviru, pabīdīet sēdekli vēlamajā pozīcijā.
3. Pirms zāles plāvēja iedarbināšanas atlaidiet sviru un pārliecinieties, vai sēdeklis ir pietiekami labi nostiprināts.

### ▲ BRĪDINĀJUMS

Pirms zāles plāvēja iedarbināšanas pārliecinieties, vai sēdeklis ir pietiekami labi nostiprināts. Nepietiekami nostiprināts sēdeklis var izkustināt operatoru no vietas, tādējādi operatoram zaudējot vadību pār zāles plāvēju, kā rezultātā var iestāties nāve vai rasties nopietni miesas bojājumi.

#### 4.1.2 BLOKA PĻAUŠANAS AUGSTUMA NOREGULĒŠANA

Skatīt attēlu 10

Pirms sākat izmantot zāles plāvēju, paceliet pļaušanas bloka augstumu zāliem vispiemērotākajā pļaušanas augstumā.

Pļaušanas bloka augstumu var noregulēt no 3.81-11.4 cm. Pļaušanas laikā pļaušanas blokam jābūt paceltam, lai izvairītos no celmiem, akmeņiem vai citiem šķēršļiem, kas var sabojāt zāles plāvēja bloku.

## ▲ PIESARDZĪBU

Bloka augstuma noregulēšanas laikā stingri satveriet bloka augstuma regulēšanas sviru un atlaidiet tikai tad, kad bloks ir nostiprināts vajadzīgajā stāvoklī. Ātras sviras atlaišanas gadījumā var tikt saspiestas vai ierautas operatora plaukstas.

1. Apturiet zāles plāvēju un izslēdziet asmeņus.
2. Pagrieziet atslēgu pozīcijā OFF (Izslēgts) un ieslēdziet stāvbremzi.
3. Lai paceltu pļaušanas bloku, satveriet bloka augstuma regulēšanas sviru un, lai atbrīvotu no iestatītā stāvokļa, nospiediet pa kreisi, pārvirziet uz zāles plāvēja aizmuguri, pēc tam, lai nofiksētu, nospiediet pa labi attiecīgajā stāvoklī.
4. Lai nolaištu pļaušanas bloku uz leju, satveriet bloka augstuma regulēšanas sviru, nospiediet pa kreisi, lai atbrīvotu no iestatītā stāvokļa, pārvirziet uz zāles plāvēja priekšpusi, pēc tam nospiediet pa labi attiecīgajā stāvoklī, lai nostiprinātu.

### 4.1.3 AKUMULATORU BLOKA IEVIETOŠANA

Skatīt attēlu 11

Lai pārbaudītu, vai zāles plāvēja akumulatori ir pilnībā uzlādēti, pārbaudiet akumulatora uzlādes statusa indikatoru. Plašāku informāciju skatīt akumulatora rokasgrāmatā.

1. Paceliet sēdekļa paneli.
2. Noņemiet akumulatora nodalījuma vāciņu.
3. Izņemiet no akumulatora nodalījuma akumulatoru bloku.

## ▲ BRĪDINĀJUMS

Savienojiet akumulatoru bloka izciļņus ar akumulatora pieslēgvietu. Pārliecinieties, vai akumulatora fiksators vienmērīgi noklikšķinājis akumulatora nodalījumā.

### 4.1.4 PIRMS MAŠĪNAS EKSPLOATĒŠANAS

- Nodrošiniet, lai darba zonā neatrastos bērni, klātesošie un mājdzīvnieki.
- Attīriet darba zonu no jebkādiem priekšmetiem, kurus plāvēja asmeņi var atsviest.
- Pārbaudiet bremžu darbību.
- Pārbaudiet spiedienu riepas.
- Pārbaudiet, vai nav atskrūvējies kāds stiprinājums.
- Pārbaudiet, vai visi aizsargi atrodas savās vietās un darbojas pareizi.
- Notīriet grūžus no zāles plāvēja.
- Pārbaudiet drošības bloķēšanas sistēmu.
- Noregulējiet sēdekli sev nepieciešamajā pozīcijā.
- Pārbaudiet akumulatora uzlādes līmeni.

### 4.1.5 DROŠĪBAS BLOĶĒŠANAS SISTĒMA

Skatīt attēlu 12

Šim zāles plāvējam ir drošības bloķēšanas sistēma, kas aizsargā operatoru, izslēdzot asmeņus, kad operators atstāj sēdekli ieslēgtu asmeņu laikā. Pirms katras lietošanas reizes pārbaudiet sistēmu, lai pārliecinātos, vai tā darbojas pareizi.

1. Pārliecinieties, vai virziena vadības slēdzis ir neitrālā (N) pozīcijā un jūgvārpstas slēdzis ir vērsts uz leju.
2. Ievietojiet palaišanas atslēgu un pagrieziet pozīcijā ON (ieslēgt).
3. Atlaidiet stāvbremzi.
4. Paceliet jūgvārpstas slēdzi, lai aktivizētu asmeņus.
5. Uz īsu brīdi piecelieties no sēdekļa, bet neizkāpiet no zāles plāvēja.

Asmeņiem jāizslēdzas 5 sekunžu laikā. Ja tā nenotiek, sazinieties ar klientu apkalpošanas dienestu. Nedarbiniet zāles plāvēju, kamēr nav salabota drošības bloķēšanas sistēma.



## 4.2 MAŠĪNAS LIETOŠANA

### 4.2.1 MAŠĪNAS IEDARBINĀŠANA

#### i PIEZĪME

Pirms zāles plāvēja iedarbināšanas nodrošiniet, lai apkārtējā zonā neatrastos klātesošie. Ja kāds ienāk plaušanas zonā, nekavējoties apturiet mašīnu un neatsāciet plaušanu, kamēr apkārtējie nav devušies projām no darba zonas.

1. Paceliet plaušanas bloku visaugstākajā pozīcijā.
2. Ievietojiet palaišanas atslēgu un pagrieziet pozīcijā ON (ieslēgt).
3. Nospiediet virziena vadības slēdzi neitrālā (N) pozīcijā.
4. Atlaidiet stāvbremzi.
5. Pavelciet uz augšu plaušanas bloka jūgvārpstas slēdzi, lai ieslēgtu asmeņus.
6. Nospiediet virziena vadības slēdzi braukšanas (D) pozīcijā un dodieties uz vēlamu plaušanas vietu.

#### i PIEZĪME

Rīkojieties piesardzīgi, šķērsojot grants ceļņus vai piebraucamos ceļus. Pirms šķērsošanas izslēdziet asmeņus un paceliet plaušanas bloku augstākajā pozīcijā, lai samazinātu atsītienu iespējamību. Brauciet lēnām, lai nezaudētu saķeri ar virsmu un vadību.

#### i PIEZĪME

Nemēģiniet mainīt plaušanas virzienu, kamēr plāvējs pārvietojas. Pirms plaušanas virziena maiņas vienmēr pilnībā apturiet plāvēju.

### 4.2.2 KRUĪZA KONTROLES IESTATĪŠANA

1. Braucot ar zāles plāvēju uz priekšu, nospiediet akseleratora pedāli, līdz tiek sasniegts vēlamais ātrums.
2. Pēc tam nospiediet kruīza kontroles pogu un pieturiet ilgāk par 0,4 s.
3. Lēnām atlaidiet akseleratora pedāli. Plāvēja ātrumam jāpaliek nemainīgam.

### 4.2.3 KRUĪZA KONTROLES IZSLĒGŠANA

1. Pieskarieties akseleratora pedālim, nospiediet bremžu pedāli.

### 4.2.4 STĀVBREMZES IESLĒGŠANA

1. Nospiediet līdz galam un pieturiet bremžu pedāli.
2. Pavelciet stāvbremzes rokturi uz augšu un pieturiet.
3. Atlaidiet bremžu pedāli.
4. Atlaidiet stāvbremzes rokturi.

#### ▲ BRĪDINĀJUMS

Nekad neatstājiet zāles plāvēju bez uzraudzības, kamēr darbojas motors. Pārbaudiet, vai stāvbremze ir ieslēgta un atslēga ir izņemta. Ja stāvbremze netiek ieslēgta, zāles plāvējs var izkustēties, bet atstātas atslēgas gadījumā plāvēju būs iespējams izmantot ikvienam bez atļaujas, kas var izraisīt nopietnus miesas bojājumus.

### 4.2.5 STĀVBREMZES ATLAIŠANA

1. Nospiediet bremžu pedāli, lai atlaistu stāvbremzi.

### 4.2.6 MAŠĪNAS APTURĒŠANA

1. Apturiet zāles plāvēju uz līdzenas virsmas.
2. Ieslēdziet stāvbremzi.
3. Nospiediet jūgvārpstas slēdzi, lai izslēgtu asmeņu motorus.
4. Pagrieziet atslēgu IZSLĒGTĀ pozīcijā.

## 4.2.7 DARBĪBA APGRIEZTĀ REŽĪMĀ

Skatīt attēlu 13

- Nospiediet bremžu pedāli un pilnībā apturiet zāles plāvēju.
- Nospiediet jūgvārpstas slēdži, lai izslēgtu asmeņu motorus.
- Pārslēdziet virziena vadības slēdži atpakaļgaitas (R) pozīcijā.
- Nospiediet atpakaļgaitas pļaušanas pogu.
- Paceliet jūgvārpstas slēdži, lēnām nospiediet akseļeratora pedāli un pļaujiet atpakaļgaitā, a nepieciešams.

### ▲ BRĪDINĀJUMS

Nepļaujiet pretējā virzienā, ja vien tas nav absolūti nepieciešams. Pirms braukšanas atpakaļgaitā vai tās laikā, vienmēr vispirms paskatieties uz leju un pēc tam atpakaļ, lai pārliecinātos, ka pļaušanas zonā nav ienākuši bērni, citi klātesošie vai mājdzīvnieki. Neaizmirstiet, ka pat mirklis neuzmanības var izraisīt nāves iestāšanos vai nopietnu traumu.

### ▲ BRĪDINĀJUMS

Esiet īpaši uzmanīgs pirms braukšanas uzsākšanas atpakaļgaitā ar uzstādītu zāles savācēja komplektu (nav iekļauts komplektācijā) un tās laikā, jo tas var ierobežot redzamību. Vienmēr paskatieties uz leju un sev aiz muguras pirms braukšanas uzsākšanas atpakaļgaitā un tās laikā, lai pārliecinātos, ka pļaušanas zonā nav ienākuši bērni, citi klātesošie vai mājdzīvnieki.

## 4.2.8 USB PORTA IZMANTOŠANA

Skatīt attēlu 14

USB uzlādes ports mobilajam tālrunim, MP3 atskaņotājam vai citām USB ierīcēm nodrošina 5 voltu līdzstrāvas uzlādes jaudu līdz 2,1 ampēriem. Informāciju par speciālajām uzlādes prasībām skatīt ierīces īpašnieka rokasgrāmatā.

Lai sāktu ierīces uzlādi, pievienojiet vienu USB kabeļa (nav iekļauts komplektā) galu savai ierīcei un otru galu zāles plāvēja USB uzlādes portam.

### i PIEZĪME

Ja mēģināsīt uzlādēt ierīces, kuru jauda pārsniedz 2,1 ampēri, var sabojāties USB uzlādes ports un/vai plāvējs.

### i PIEZĪME

USB portu darbina tikai tad, kad tiek iedarbināta mašīna.

### ▲ BRĪDINĀJUMS

Nekad ieslēgta zāles plāvēja laikā neizmantojiet austiņas vai citas elektroniskas ierīces, piemēram, viedtālruni vai planšetdatoru. Pavirša rīcība var izraisīt negadījumu, kas var izraisīt nāvi vai nopietnus savainojumus operatoram vai klātesošajiem.

## 4.2.9 PADOMI MAŠĪNAS LIETOŠANĀ

Skatīt attēlu 15

- Pļāvēja asmeņiem ir jābūt asiem.
- Pārbaudiet, vai zālājā nav akmeņu, zaru, vadu, rotaļlietu, riekstu, koku zaru un citu priekšmetu, kas var sabojāt zāles plāvēja asmeņus vai pat motoru. Nepļaujiet ap īpašuma atzīmēšanas kociņiem vai metāla stabiem. Šādi priekšmeti var sabojāt asmeni vai tikt nejauši izmesti jebkurā virzienā un izraisīt nopietnus savainojumus plāvēja lietotājam.
- Lai iegūtu veselīga zāliena izskatu, vienmēr nopļaujiet vienu trešdaļu vai pat mazāk no zāles kopējā garuma.
- Pļaujot lielas platības, sāciet ar pagriešanos pa labi, lai nopļautā zāle tiktu izsviesta prom no krūmiem, žogiem, piebraucamiem ceļiem utt. Pēc vienas vai divām kārtām sāciet pļaut pretējā virzienā, pagriežoties pa kreisi, līdz esat pabeidzis pļaušanu.
- Pļaujiet tā, lai nopļautā zāle, kas tiek izsviesta, nonāktu jau nopļautā zāliena zonas virzienā.

- Pļaujot biezu zāli, samaziniet ātrumu, lai varētu efektīvāk nopļaut un pareizi izlādēt nopļauto zāli.
- **Parastas pļaušanas laikā** pļaujiet tikai ar aptuveni 38 mm (1,5 collas) no zāles asmens garuma. Nav ieteicams pļaut vairāk, ja vien zāle nav reta vai pļaušanas sezona netuvojas beigām.
- Neļaujiet mitru zāli. Tā pielips zem korpusa pamatnes, traucējot pareizi savākt vai samulcēt nopļauto zāli.
- Jaunai vai biežai zālei var būt nepieciešams šaurāks pļaušanas celiņš vai lielāks augstuma iestatījums.
- Uzturiet pļaušanas bloku un sānu izlādes tekni tīru. Pirms un pēc katras lietošanas reizes iztīriet nopļauto zāli, lapas, neīrumus un citus uzkrātos gružus. Tīrīšanai neizmantojiet dārza šļūteni.

## i PIEZĪME

Vienmēr pirms plāvēja korpusa pamatnes iztīrīšanas apturiet plāvēju, ļaujiet asmeņiem pilnībā apstāties, un izņemiet iedarbināšanas atslēgu.

### 4.2.10 PĻAUŠANA SLĪPUMĀ

#### Skatīt attēlu 16

Nogāzes ir galvenais faktors, kas saistīts ar vadības zaudēšanu un apgāšanās negadījumiem, kas var novest pie smagu traumu gūšanas vai nāves. Strādājot jebkurā slīpumā, jāievēro papildus piesardzība. Ja nevarat braukt atpakaļgaitā pa nogāzi vai jūtaties neērti, braucot pa to, nepļaujiet to.

- Brauciet slīpumā ražotāja ieteiktajā virzienā. Esiet piesardzīgs, strādājot tuvu pie nomalēm.
- Nelietojiet pļaujmašīnu apstākļos, ja ir radušās problēmas ar vilkmi, stūrēšanu vai stabilitāti. Riepas var sfīdēt ar tad, ja riteni ir apturēti.
- Braucot lejup slīpumā, vienmēr ieslēdziet pļaujmašīnu pārnesumā. Nebrauciet lejup slīpumā ar lielu ātrumu.
- Atrodoties slīpumā, pļaujiet, braucot augšup un lejup, nebrauciet šķērsām pret nogāzi.
- Nebrauciet pāri bedrēm, grāmbām, akmeņiem, vai citiem paslēptiem priekšmetiem. Mašīna nelīdzenā reljefā var apgāzties. Garā zālē var atrasties šķēršļi.
- Nekad nepļaujiet tuvu pie nomalēm, grāvjiem vai aizsprostiem. Mašīna var pēkšņi apgāzties, ja ritenis pārbrauc pāri malai, grāvja malai utt.
- Izvēlieties mazu braukšanas ātrumu, lai jums nebūtu jāapstājas vai jāpārslēdz ātrums, atrodoties nogāzē.
- Neļaujiet mitru vai slapju zāli. Riepas var zaudēt saķeri.
- Izvairieties no mašīnas palaišanas, apturēšanas vai pagriešanas, atrodoties uz nogāzes. Ja riepas zaudē saķeri, izslēdziet asmeni(us) un lēnām taisnā virzienā brauciet lejup pa nogāzi.
- Pārviotojieties pa nogāzēm lēnām un pakāpeniski. Neveiciet pēkšņas ātruma vai virziena izmaiņas, kā rezultātā var apgāzties mašīna.
- Esiet īpaši piesardzīgs, strādājot ar mašīnu, kurai ir uzstādītas papildierīces; tās var ietekmēt mašīnas stabilitāti. Neizmantojiet pārāk lielā slīpumā.
- Ja izmantojat papildu zāles savākšanas komplektu, esiet īpaši piesardzīgi, strādājot nogāzēs, un brauciet ar plāvēju lēnām, jo zāles savākšanas komplekts var izjaukt plāvēja stabilitāti.
- Braucot lejup pa nogāzi, vienmēr izmantojiet bremzes. Nemēģiniet braukt ar pļaujmašīnu lejup neitrālā stāvoklī.

## 5 ELEKTRISKĀ SISTĒMA

### 5.1 ELEKTRISKĀS SISTĒMAS DROŠUMS

- Pirms mašīnas regulēšanas vai remontdarbu veikšanas izņemiet atslēgu un akumulatorus un izlasiet īpašnieka rokasgrāmatu.
- Pirms sākat strādāt ar šo mašīnu, vienmēr izņemiet atslēgu un akumulatorus.
- Transportējot mašīnu, vienmēr izņemiet atslēgu un akumulatorus.
- Mašīnai jābūt tīrai, bez nopļautās zāles, lapām un citiem gružiem. NESMIDZINIET uz mašīnas ūdeni, lai to nomazgātu. Izmantojiet tikai saspiesto gaisu. Izmantojot šo mašīnu, valkājiet piemērotus acu un dzirdes aizsarglīdzekļus.
- Akumulatora tuvumā vienmēr valkājiet aizsargbrilles un aizsargapriekojumu. Izmantojiet izolētus instrumentus.
- Iztīriet no akumulatora nodalījuma, piedziņas motora nodalījuma, pļaušanas bloka, sēdekļa utt. visus neīrumus un gružus. Neizmantojiet šķīdinātājus, cietus tīrīšanas līdzekļus vai abrazīvus līdzekļus.
- Ja atslēga atrodas IESLĒGTĀ pozīcijā, zāles plāvēja asmens var pēkšņi ieslēgties, pat ja piedziņas motors negriežas. Ieslēdzot pļaušanas bloka asmeņu IESLĒGŠANAS/IZSLĒGŠANAS slēdzi, raugiet, lai šajā vietā neatrastos neviens klātesošais.
- Visas apkopes un uzglabāšanas vietas ir pareizi jāizvēdina saskaņā ar piemērojamiem ugunsdrošības kodeksiem un rīkojumiem, lai izvairītos no ugunsbīstamības.

- Nekad nesmēķējiet un netuviniet liesmas vai neradiet dzirksteles akumulatoru tuvumā.
- Uzglabājiet akumulatorus bērniem nepieejamā vietā.
- Pārsegiem un aizsargiem ir vienmēr jābūt uzstādītiem un droši nostiprinātiem. Ja tie ir bojāti, nekavējoties salabojiet vai nomainiet. Nekad nepārveidojiet vai nenonēmiat drošības ierīces.

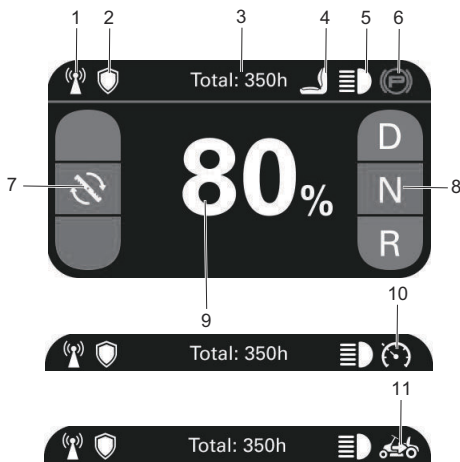
## 5.2 INFORMĀCIJA PAR ELEKTRISKO SISTĒMU

Zāles Cramer plāvēju darbina 82 voltu elektriskā sistēma. Tā sastāv no šādiem komponentiem:

1. Asmens un piedziņas kontrolieris (1)
2. Asmens motors (2)
3. Akselerators (1)
4. Digitālais displejs (1)
5. Riteņu motors (1)
6. Akumulatora nodalījums (1)

## 5.3 DIGITĀLAIS DISPLEJS

Digitālā displeja, kas atrodas uz vadības paneļa, funkcija ir nodrošināt operatoram informāciju par elektrisko sistēmu. Tas sniedz detalizētu informāciju modeļa, kodu un numuru veidā.



#	Nosaukums	Funkcija
1.		4G GPS signāls
2.		GreenShield
3.	Kopā: 350h	Transportlīdzekļa darbības ilgums
4.		Sēdekļa slēdzis ir aizvērts.
5.		LED gaismas
6.		Stāvbremze ir ieslēgta.
7.		Asmens griešanās ātrums
8.	D/N/R	Braukšanas virziens: Piedziņa (D), neutrāls (N) un atpakaļgaita (R).
9.	80 %	Akumulatora uzlādes līmenis procentos
10.		Kruīza kontrole
11.		Aktivizēts plaušanas režīms atpakaļgaitā.

## 6 KĻŪMES

CANBUS sistēma veiks attiecīgās darbības, lai konstatētas problēmas gadījumā aizsargātu lietotāju un mašīnu. Kad mašīna vai komponents tiek izslēgts, tas norāda, ka ir radusies kļūda, kas tiks parādīta digitālajā displejā. Visām ar elektrisko sistēmu saistītajām kļūdām ir burtu kods, kam seko cipars. Pirmais burts apraksta sistēmu, kas izraisīja kļūdu saskaņā ar šo diagrammu:

## Latviešu

Nosaukums	Nozīme
T	Piedziņas kontrolieris un motors
PMU	Strāvas vadības bloks (akumulatora nodalījumā)
ML	Kreisā asmens motora kontrolieris
MR	Labā asmens motora kontrolieris
V	Transportlīdzeklis

## 6.1 KĻŪDAS KODS

Kļūdas Kods	Apraksts	Risinājums
T11	Pārspriegums	Pārāk augsts spriegums. Vēlreiz ieslēdziet strāvas padevi.
T12	Nepietiekams spriegums	Pārāk zems spriegums Pirms lietošanas akumulatoru bloks ir jāuzlādē.
T13	Kontroliera paštesta kļūda	Ja rodas šī problēma, sazinieties ar izplatītāju, lai to atrisinātu.
T14	Apstāties piedziņas motors	Pārbaudiet, vai piedziņas riteņi nav iestrēguši, un vēlreiz ieslēdziet strāvas padevi.
T15	Motora kodētāja kļūda	Pārbaudiet, vai Piedziņas kontroliera Hola efekta savienotājs ir pareizi pievienots, un pēc tam vēlreiz ieslēdziet strāvas padevi.
T16	Kontroliera piedziņas ķēdes kļūda	Ja rodas šī problēma, sazinieties ar izplatītāju, lai to atrisinātu.
T17	Piedziņas regulatora daļas pārkaršana	Kontrolierī pārāk augsta temperatūra. Pagaidiet, līdz kontrolieris atdziest, un pēc tam vēlreiz ieslēdziet strāvas padevi.
T18	Pārkarsis piedziņas motors	Pārāk augsta motora temperatūra. Pagaidiet, līdz motors atdziest, un pēc tam vēlreiz ieslēdziet strāvas padevi.
T21	Netipiska piedziņas motora temperatūras sensora darbība	Pārbaudiet, vai temperatūras sensora elektroinstalācijā viss darbojas pareizi.
T22	Piedziņas regulatora daļas aparātūras pārstrāva	Pārāk liela slodze. Vēlreiz ieslēdziet strāvas padevi.
T23	Priekšuzlādes kļūme	Vēlreiz ieslēdziet strāvas padevi.
T25	Piedziņas programmatūras pārslodze	Pārāk liela slodze. Vēlreiz ieslēdziet strāvas padevi.
T26	Piedziņas MOS kļūda	Ja rodas šī problēma, sazinieties ar izplatītāju, lai to atrisinātu.
T27	Motora fāzes zudums	Pārbaudiet, vai Piedziņas kontroliera motora kabeli ir pareizi pievienoti, un pēc tam vēlreiz ieslēdziet strāvas padevi.
T28	Piedziņas kontroliera pārkaršana	Kontrolierī pārāk augsta temperatūra. Pagaidiet, līdz kontrolieris atdziest, un pēc tam vēlreiz ieslēdziet strāvas padevi.
V14	Nepareiza pļaušanas darbību secība	Pirms pļaušanas atpakaļgaitā, nospiediet atpakaļgaitas pļaušanas pogu.
V15	Transportlīdzekļa paštesta kļūda	<ol style="list-style-type: none"> <li>1. Pirms transportlīdzekļa iedarbināšanas pārbaudiet, vai bremzes ir ieslēgtas.</li> <li>2. Pirms transportlīdzekļa iedarbināšanas pārslēdziet griezēja slēdzi izslēgtā pozīcijā un pārbaudiet, vai griezēja slēdzis ir pareizi pievienots.</li> <li>3. Pirms transportlīdzekļa iedarbināšanas pārslēdziet FNR pārnēsumu sviru pozīcijā N.</li> <li>4. Pārbaudiet, vai savienotājs zem sēdekļa ir pareizi pievienots.</li> <li>5. Iedarbinot transportlīdzekli, nespiediet krūza kontroles pogu.</li> <li>6. Iedarbinot transportlīdzekli, nespiediet akceleratora pedāli.</li> </ol>
V16	Nepareiza darbības secība	Atgrieziet akceleratoru un asmens slēdzi sākotnējā stāvoklī.
V17	SPI sakaru kļūda	Vēlreiz ieslēdziet strāvas padevi.

Kļūdas Kods	Apraksts	Risinājums
V18	Akumulatoru nodalījuma (PMU) kļūme	Pārbaudiet, vai akceleratora kabeli ir pareizi pievienoti un pēc vēlreiz ieslēdziet strāvas padevi.
V22	Netipiska asmens signāla darbība	Pārbaudiet, vai asmens palaišanas slēdzis ir pareizi pievienots, un pēc tam atgrieziet slēdzi sākotnējā stāvoklī.
V21	PMU CAN sakaru kļūda	Pārtraukti sakari ar akumulatora nodalījumu. Vēlreiz ieslēdziet strāvas padevi.
V23	Netipiska operatora klātbūtnes slēdža darbība	Pārbaudiet, vai savienotājs zem sēdekļa ir pareizi pievienots, un pēc tam vēlreiz ieslēdziet strāvas padevi.
ML3	Kreisās puses programmatūras pārstrāva	Pārbaudiet pļaušanas slodzi un vēlreiz ieslēdziet strāvas padevi.
ML4	Apstājies kreisais asmens	Pārbaudiet pļaušanas slodzi un atgrieziet asmens palaišanas slēdzi sākotnējā stāvoklī.
ML6	Kreisās puses MOS kļūme	Ja rodas šī problēma, sazinieties ar izplatītāju, lai to atrisinātu.
ML7	Kreisā asmens motora fāzes zudums	Pārbaudiet, vai asmens kontrolieris un motora kabeli ir pareizi savienoti, un pēc tam vēlreiz ieslēdziet strāvas padevi.
ML9	Netipiska kreisā asmens regulatora temperatūra	Kontrolierī pārāk augsta temperatūra. Pagaidiet, līdz kontrolieris atdziest, un pēc tam vēlreiz ieslēdziet strāvas padevi.
ML14	Kreisā asmens aparatūras pārstrāva	Pārbaudiet pļaušanas slodzi un vēlreiz ieslēdziet strāvas padevi.
ML15	Kreiso asmeni neizdevās ieslēgt	Pārbaudiet pļaušanas slodzi un atgrieziet asmens palaišanas slēdzi sākotnējā stāvoklī.
MR3	Motors griežas zemā ātrumā aktivētas aizsardzības sistēmas dēļ	Pārbaudiet pļaušanas slodzi un vēlreiz ieslēdziet strāvas padevi.
MR4	Motors griežas lielā ātrumā aktivētas aizsardzības sistēmas dēļ	Pārbaudiet pļaušanas slodzi un atgrieziet asmens palaišanas slēdzi sākotnējā stāvoklī.
MR6	Motora Hola devēja kļūda	Ja rodas šī problēma, sazinieties ar izplatītāju, lai to atrisinātu.
MR7	Kontroliera fāzes zudums	Pārbaudiet, vai asmens kontrolieris un motora kabeli ir pareizi savienoti, un pēc tam vēlreiz ieslēdziet strāvas padevi.
MR9	MOSFET vaiēja kontūra kļūda	Kontrolierī pārāk augsta temperatūra. Pagaidiet, līdz kontrolieris atdziest, un pēc tam vēlreiz ieslēdziet strāvas padevi.
MR14	Kontroliera zemspriegums	Pārbaudiet pļaušanas slodzi un vēlreiz ieslēdziet strāvas padevi.
MR15	Kontroliera pārspriegums	Pārbaudiet pļaušanas slodzi un atgrieziet asmens palaišanas slēdzi sākotnējā stāvoklī.
PMU10	Akumulatoru bloka vaiēja kontūra kļūme	Pārāk zema temperatūra akumulatora nodalījumā un akumulatorā. Izmantojiet mašīnu piemērotā temperatūrā un vēlreiz ieslēdziet strāvas padevi.
PMU11	Nozīmīga PMU kļūme	Pārāk augsta temperatūra akumulatora nodalījumā un akumulatorā. Pagaidiet, līdz akumulators atdziest, un pēc tam vēlreiz ieslēdziet strāvas padevi.
PMU12	PMU sekundārā kļūme	Lielas kļūmes dēļ akumulatora nodalījumā nevarēja ieslēgt asmens sistēmu. Vēlreiz ieslēdziet strāvas padevi un mēģiniet vēlreiz.
PMU13	Nav pieejams akumulatoru bloks	Pārliedzinieties, vai izmantojat pareizo akumulatoru, un pēc tam vēlreiz ieslēdziet strāvas padevi.

Kļūdas Kods	Apraksts	Risinājums
PMU	Nepietiekams akumulatoru skaits, iespējama ierobežota funkcionalitāte.	Ievietojiet vairāk akumulatoru blokus.
N/P	Displeja sakaru kļūda	Pārbaudiet displeja savienojuma daļas un CAN tīklu.
	Atlasīts nepareizs displejs	Atlasiet transportlīdzekļa modelim pareizo displeju

## 7 APKOPE

### 7.1 ZĀLES PĻĀVĒJA ASMENS APKOPE

Pārbaudiet reizi dienā zāles pļāvēja asmeņus. Tie ir enerģijas efektivitātes un labi kopta zāliena pamatnosacījums. Tiem vienmēr jābūt asiem — neasi asmeņi zāli nenoplauj, bet norauj, dažu stundu laikā atstājot uz zāles brūnu virsmu. Neasam asmenim ir nepieciešama arī lielāka jauda. Nomainiet asmeni, kas ir saliekts, saplaisājis vai salūzis.

#### ▲ BRĪDINĀJUMS

Nekad nemēģiniet iztaisnot saliektu asmeni karsējot, kā arī metināt ieplaisājušu vai salauztu asmeni, jo asmens var salūzt un izraisīt nopietnus savainojumus. Nodiluši vai bojāti asmeņi ir jānomaina.

#### ▲ BRĪDINĀJUMS

Nekad nestrādājiet ar asmeņiem, kamēr atslēga atrodas aizdedzes slēdzī. Pagrieziet atslēgu IZSLĒGTĀ pozīcijā, izņemiet akumulatorus no mašīnas. Nobloķējiet zāles pļāvēju, ja jums zem tā ir jāveic kādi darbi. Strādājot ar asmeņiem, valkājiet cimdus. Ja zāles pļāvējs atsitas pret kādu akmeni, zaru vai citu svešķermeņu, vienmēr pārbaudiet, vai asmens nav bojāts!

#### ▲ BRIESMAS

Nelielus uzasināšanas darbus var veikt ar vīli. Pēc slīpēšanas pārbaudiet asmeņu balansu. Komerciāls balansēšanas rīks ir pieejams lielākajā daļā armatūras preču veikalu, vai arī balansēšanu var veikt, novietojot asmeni uz apgriezta līnijas perforatora vai 12,7 mm (1/2") bultskrūves. Asmenim nevajadzētu noliekties vai savsverties. Lēnām griežot asmeni, tas nedrīkst šūpoties. Ja asmens nav balansēts, pirms uzstādīšanas tas ir jānoregulē. Novietojiet asmeni uz līdzenas virsmas un pārbaudiet, vai tas nav deformējies. Deformētus asmeņus ir jānomaina.

#### ▲ BRĪDINĀJUMS

- Lai nodrošinātu pareizu pļaušanu, asmens spurai (izliktajai daļai) jābūt vērstai virzienā uz augšu uz pļaušanas bloka iekšpusi.
- Pēc asmeņu uzstādīšanas tie ir jāpagriež, lai nodrošinātu, ka to gali nepieskaras viens otram vai pļāvēja sāniem.
- Ja bultskrūve netiek pareizi pieskrūvēta, var nokrist asmens, kas var izraisīt nopietnus savainojumus.
- Pļaujmašīnas asmeņi ir asi, un ar tiem var sagriezties. Veicot apkopes vai remonta darbus, valkājiet cimdus.

### 7.1.1 ASMENS NOMAINĪŠANA

Skatīt attēlu 17

1. Apturiet motoru, izņemiet iedarbināšanas atslēgu un ieslēdziet stāvbremzi.
2. Lai piekļūtu asmeņiem, paceliet pļaušanas bloka augstumu visaugstākajā pozīcijā.

#### i PIEZĪME

Ja nepieciešams, lai piekļūtu asmeņiem, paceliet zāles pļāvēju, novietojot uz pacelāja vai izmantojot domkratu un domkrata statīvus, vai arī noņemiet pļaušanas bloku, kā aprakstīts iepriekšējā sadaļā.



## ▲ BRĪDINĀJUMS

Ja paceļat zāles plāvēju, lai piekļūtu asmeņiem, tad pirms turpināt, pārliedzinieties, vai zāles plāvējs ir pareizi nostiprināts un ir ieslēgta stāvbremze. Ja zāles plāvējs netiek pareizi nostiprināts, tas var nokrist, izraisot lietotājam nāvi vai nopietnus miesas bojājumus.

3. Ielieciet koka gabalu starp asmeni un plaušanas bloku, lai neļautu asmeņim griezties.
4. Atskrūvējiet asmens uzgriezni, pagriežot pretēji pulksteņrādītāja kustības virzienam (skatoties no zāles plāvēja apakšas), izmantojot 16 mm uzgriežņu atslēgu vai uzgriežņatslēgas uzgali (nav iekļauti komplektācijā).
5. Noņemiet asmens uzgriezni, starpliku, asmens izolatoru un asmeni.
6. Uzskrūvējiet asmens uzgriezni uz vārpstas un pievelciet ar pirkstiem.
7. Pievelciet asmens uzgriezni pulksteņrādītāja kustības virzienā, izmantojot griezes momenta atslēgu (nav iekļauta komplektācijā), lai nodrošinātu, ka skrūve tiek pareizi pievilkota. Ieteicamais asmens uzgriežņa griezes moments ir 90 N.m ~ 100 N.m (66 ~ 74 ft.lbs).

## ▲ BRĪDINĀJUMS

Pārliedzinieties, vai asmens ir pareizi novietots un asmens uzgrieznis ir pievilks atbilstoši iepriekš norādītajam griezes momentam. Ja asmens netiek pareizi piestiprināts, tas var atskrūvēties, nokrist un izraisīt nopietnus miesas bojājumus.

8. Ja nepieciešams, atkātojiet to pašu ar otro asmeni.

## i PIEZĪME

Visas daļas ir jāuzliek atpakaļ tieši tādā secībā, kādā tās tika noņemtas.

## 7.2 PRIEKŠĒJO LUKTURU NOMAIŅA

Skatīt attēlu 18

Sazinieties ar klientu apkalpošanas dienestu vai apmeklējiet mūsu vietni tiešsaistē, lai pasūtītu jaunu lukturi.

1. Novietojiet zāles plāvēju uz līdzenas virsmas un ieslēdziet stāvbremzi.
2. Apturiet motoru un izņemiet iedarbināšanas atslēgu.
3. Izņemiet un novietojiet malā sešstūra galvas skrūvi un plakano paplāksni, kas notur plāvēja grīdas paneli.
4. Nedaudz paceliet grīdas paneli, lai piekļūtu abām sešstūra galvas skrūvēm un plakanajām paplāksnēm, kas nostiprina priekšējo lukturi. Izņemiet skrūves un paplāksnes un novietojiet malā.
5. Atvienojiet veco lukturi un izmetiet.
6. Ievietojiet jaunu lukturi un uzstādiet atpakaļ paplāksnes un skrūves. Stingri pievelciet.
7. Nolaidiet apakšējo grīdas paneli un uzstādiet atpakaļ paplāksnes un skrūves, lai nostiprinātu.

## 7.3 RIEPAS

Lai nopļautuzāli vienā līmenī, svarīgs nosacījums ir pareizs spiediens visās riepās. Ieteicamais spiediens:

## i PIEZĪME

Spiediens riepās jāmēra vai jāregulē tikai tad, kad riepas ir aukstas.

Piedziņas riteņi	8 psi
Priekšējie riteņi	24 psi

## i PIEZĪME

Pārbaudiet riepas katru dienu. Nekavējoties nomainiet, ja tās ir bojātas.

## ▲ BRĪDINĀJUMS

Riepu piepumpēšanas laikā uzmanīgi novērojiet riepu spiedienu. Ja riepā būs pārāk daudz gaisa, tā var pārsprāgt, izraisot nopietnus miesas bojājumus.

## 7.4 EĻĻOŠANA

Skatīt attēlu 19

Pirms plaušanas pievienojiet eļļu.

Eļļas tips	SAE85W-140
Eļļas tilpums	180 ml

Sazinieties ar savu Cramer izplatītāju, lai nomainītu eļļu.

### i PIEZĪME

Nomainiet pārnesumkārbas eļļu pēc pirmajām 50 mašīnas ekspluatēšanas stundām, pēc tam nomainiet eļļu ik pēc 200 stundām.

## 7.5 GRIEZES MOMENTA VĒRTĪBAS

### ▲ BRĪDINĀJUMS

Īpaša uzmanība jāpievērš piedziņas riteņu uzgriežņu un asmeņu darbvārpstas bultskrūvju pievilkšanai. Ja tās netiek pareizi pieskrūvētas, var nokrist asmens, kas var izraisīt nopietnus bojājumus vai traumas.

Zemāk norādītas griezes momenta vērtības:

Daļa	Pēdas-mārciņas	Nm
Riteņu uzgriežņi	89	120
Asmens darbvārpstas bultskrūve	66	90

**Tikai uzgriežņi** —sākumā ieteicams pārbaudīt pēc pirmajām 2 darba stundām, pēc tam ik pēc 100 stundām pēc noņemšanas remonta vai nomaiņas nolūkā.

## 7.6 AKUMULATORU BLOKA APKOPE

Jūsu Cramer zāles plāvējs tiek darbināts ar akumulatoru, kas pareizas apkopes gadījumā nodrošinās kalpošanas laiku vēl ilgu gadus. Lai nodrošinātu pareizu kopšanu, ievērojiet šādus norādījumus:

- Vienmēr pēc katras lietošanas reizes uzlādējiet akumulatorus.
- Ja akumulators ir pilnībā izlādējies un izslēdzies, vislabāk ir uzlādēt akumulatoru pēc iespējas ātrāk. Pārmērīga akumulatora izlāde var saīsināt akumulatora darbības laiku, un akumulators var tikt neatgriezeniski bojāts. To nav nepieciešams pilnībā uzlādēt; tas darbosies pat tad, ja uzlādēsiet akumulatoru tikai 5-10 minūtes. Tomēr vislabāk to ir uzlādēt 24 stundas.
- Neļaujiet zālei, neīrūmiem un gružiem uzkrāties akumulatora spaiļu tuvumā un akumulatora zonā.
- Uzlādējiet akumulatorus iekštelpās, labi vēdināmā un sausā vietā, kur nav dzirksteļu vai liesmu. Nekad nepakļaujiet lādētāju lietus, tvaiku vai šķidruma iedarbībai.
- Uzlādējiet tikai litiņa akumulatorus, ko nodrošina Cramer.
- Nepieskarieties lādētāja neizolētajai daļai (termināla tapām) vai izvades savienotājam.
- Nelietot mašīnu ar bojātu vadu vai spraudni. Bojātais vads vai spraudnis ir nekavējoties jānomaina.
- Ja uzglabāsiet ilgstoši, uzglabāšanas temperatūrai ir jābūt no -20 °C līdz 45 °C vienu mēnesi un 0 °C - 35 °C no diviem līdz divpadsmit mēnešiem.
- Akumulatora darbības vide ir -20 °C -55 °C izlādes gadījumā un 0 °C ~ 55 °C uzlādes gadījumā.

## 7.7 AKUMULATORA NODALĪJUMA FILTRA APKOPE

Nomainiet akumulatora nodalījuma filtru ik pēc 200 stundām.

## 7.8 APKOPE

### i SVARĪGI

Pirms regulēšanas, tīrīšanas vai remonta darbu veikšanas pagaidiet, kamēr mašīna ir pilnībā apstājusies. Remontdarbus vai apkopi, kuras veikšanai nepieciešama strāva, drīkst veikt tikai apmācīts apkopes personāls. Izlasiet un ievērojiet drošības brīdinājumus rokasgrāmatas priekšējā lapā.

### i SVARĪGI

Remontdarbus vai apkopi, kuras veikšanai nepieciešama strāva, drīkst veikt tikai apmācīts apkopes personāls.

- Novietojiet plāvēju uz līdzenas zemes. Pārliecinieties, vai stūres vadības sviras ir neitrālā stāvoklī un jūgvārpstas slēdzis ir IZSLĒGTĀ pozīcijā. Paceliet plaušanas bloku, pagrieziet atslēgu IZSLĒGTĀ pozīcijā, izņemiet atslēgu no slēdža un izņemiet akumulatorus no akumulatora nodalījuma zem sēdekļa.
- Jebkurus apkopes darbus, kuros nepieciešams noņemt drošības pārsegus, ir jāveic apmācītam servisa tehnikim.
- Izmantojiet stieni vai tamlīdzīgu instrumentu, lai notīrītu apakšējo daļu zem plāvēja, un nelieciet zem plāvēja nevienu ķermeņa daļu, no īpaši rokas un plaukstas.
- Uzturiet mašīnu tīru un iztīriet no tās visus atkritumus un zāles atgriezumus.
- Uzturiet akumulatora nodalījumu, plaušanas bloku un operatora vietu tīru, nepieļaujiet, ka tajā uzkrājas atkritumi, nopļautā zāle un citi gruži.
- Iztīriet no akumulatora nodalījuma, piedziņas motora nodalījuma, plaušanas bloka, sēdekļa utt. visus neīrumus un gružus. Tīrīšanai izmantojiet tikai saspiesto gaisu. NEIZMANTOJIET šķīdinātājus, cietus tīrīšanas līdzekļus vai abrazīvus līdzekļus.
- Veicot akumulatoriem apkopi vai slīpējot plāvēja asmeņus un iztīrot uzkrātos gružus, vienmēr valkājiet atbilstošus acu aizsarglīdzekļus. Nekad nemēģiniet veikt regulēšanas vai remonta darbus plāvēja piedziņas sistēmai, plaujmašīnai vai jebkurai papildierīcei, kamēr darbojas vilces piedziņas sistēma. Remontdarbus vai apkopi, kuras veikšanai nepieciešama strāva, drīkst veikt tikai apmācīts apkopes personāls.
- Nekad nestrādājiet zem mašīnas vai papildierīces, ja vien tās nav droši atbalstītas ar domkrata statīviem. Pārliecinieties, vai mašīna pēc pacelšanas ir droši nostiprināta un novietota uz domkrata statīviem.
- Domkrata statīvi nedrīkst ļaut mašīnai izkustēties, darbojoties vilces piedziņas sistēmai un griežoties piedziņas riteņiem. Izmantojiet tikai sertificētu domkrata statīvus. Mašīnas nobloķēšanai izmantojiet tikai atbilstošu domkrata statīvus, kuru minimālais svars ir 2000 mārciņas (907,2 kg). Lietojiet tikai pa pāriem. Izpildiet norādījumus, kas pievienoti transportlīdzekļa statīviem.
- Nepieskarieties karstām mašīnas daļām.
- Uzgriežņiem un bultskrūvēm, jo īpaši asmens stiprinājuma bultskrūvēm, ir jābūt stingri pievilktām. Uzturiet aprīkojumu labā darba stāvoklī.
- Nekad nemēģiniet pārveidot drošības ierīces. Regulāri pārbaudiet, vai tās atbilstoši darbojas.
- Pirms izlādes teknes iztīrīšanas pagrieziet atslēgu IZSLĒGTĀ pozīcijā.
- Nekad netīriet izlādes tekni ieslēgtas mašīnas laikā. Pirms tīrīšanas darbu veikšanas pagrieziet atslēgu IZSLĒGTĀ pozīcijā un pārliecinieties, vai asmeņi ir apstājušies. Izmantojiet stieni, lai notīrītu aizsērējušos izlādes zonu. Nekad netīriet ar rokām!
- Apturiet mašīnu un ļaujiet asmeņiem apstāties pirms teknes iztīrīšanas. Zāles savākšanas sistēmas komponenti ir pakļauti nodilumam, bojājumiem un nolietojumam, kas var atklāt kustīgās daļas vai atsviest priekšmetus. Bieži pārbaudiet komponentus un, ja nepieciešams, nomainiet tos ar ražotāja ieteiktajām daļām.
- Strādājot zem plaušanas bloka, esiet piesardzīgs, jo plāvēja asmeņi ir ļoti asi. Veicot apkopes vai remonta darbus, valkājiet cimdus.
- Izmantojiet tikai oriģinālās Cramer plāvēja daļas, lai nodrošinātu oriģinālo standartu ievērošanu.
- Transportējot mašīnu, vienmēr izņemiet akumulatorus. Mašīnai jābūt tīrai, bez nopļautās zāles, lapām un citiem gružiem.
- Bieži pārbaudiet bremžu darbību. Ja nepieciešams, noregulējiet un veiciet apkopi.
- Saglabājiet vai, ja nepieciešams, nomainiet drošības un instrukciju etiķetes.
- Braucamā plāvēja remontdarbus drīkst veikt tikai kvalificēts speciālists, izmantojot tikai oriģinālās rezerves daļas. Tādējādi tiks garantēts plaušanas traktora lietošanas drošums.
- Uzlādējiet ierīci tikai ar ražotāja noteikto lādētāju. Lādētājs, kas paredzēts lietošanai tikai ar viena veida akumulatora bloku, var radīt aizdegšanās draudus, ja to izmanto kopā ar citu akumulatora bloku.

## 8 TRANSPORTĒŠANA UN UZGLABĀŠANA

### 8.1 TRANSPORTĒŠANA

#### ▲ BRĪDINĀJUMS

Esiet īpaši piesardzīgs, iekraujot vai izkraujot mašīnu no piekabes. Nospiediet zemā ātruma braukšanas pogu un uzmanīgi pārslēdziet piedziņas sviras, lai regulētu ātrumu. Iekraušanas laikā vienmēr brauciet piekabē atpakaļgaitā. Iekraujot vai izkraujot plāvēju, nepārsniedziet maksimālo ieteicamo 15° darbības leņķi. Šo norādījumu neievērošanas rezultātā varat zaudēt vadību pār mašīnu un gūt smagus miesas bojājumus vai kaitējumu īpašumam, un var iestāties nāve.

#### ▲ BRĪDINĀJUMS

Rīkojieties īpaši piesardzīgi, iekraujot vai izkraujot mašīnu no piekabes. Pārliecinieties, vai plaušanas bloks ir pacelts augstākajā pozīcijā, lai tas neaizķertos uz rampas. Plāvēja riteņi var nobraukt no rampas vai piekabes, un plāvējs var sākt griezties vai apgāzties, kā arī izraisīt saspiešanas draudus, kas var izraisīt nāvi vai nopietnus miesas bojājumus.

1. Novietojiet plāvēju uz līdzenas zemes virsmas.
2. Paceliet plaušanas bloku visaugstākajā pozīcijā.
3. Novietojiet un nostipriniet rampu uz piekabi saskaņā ar ražotāja norādījumiem.

#### i PIEZĪME

Iesakām izmantot vienu pilna platuma iekraušanas rampu, kas ir vismaz 1 pēdu plataka par plāvēju, lai samazinātu iespējamību, ka plāvēja riteņi varētu nobraukt no rampas sāniem.

4. Lēnām uzbrauciet ar plāvēju atpakaļgaitā uz rampas un iekāpiet piekabē.
5. Nolaidiet plāvēja bloku līdz galam.
6. Ieslēdziet stāvbremzi.
7. Izslēdziet plāvēju un izņemiet atslēgu.
8. Lai novērstu pārvietošanos transportēšanas laikā, nostipriniet plāvēju pēc vajadzības izmantojot siksnas vai kabelus.

#### ▲ BRĪDINĀJUMS

Lai izvairītos no nejaušas plāvēja iedarbināšanas vai izkustēšanās transportēšanas laikā, kas var izraisīt nopietnus miesas bojājumus, vienmēr izņemiet iedarbināšanas atslēgu un ieslēdziet stāvbremzi.

### 8.2 TĪRĪŠANA UN UZGLABĀŠANA

#### 8.2.1 MAŠĪNAS TĪRĪŠANA

- Iztīriet visus zāles un lapu atlikumus, kas uzkrājušies ap/uz motora pārsega (motora skalošanai neizmantojiet ūdeni no augstspiediena pistoles).
- Ik pa laikam noslaukiet plāvēju ar sausu lupatiņu.
- Ja lietošanas laikā plāvēja apakšpusē uzkrājas gruži, apturiet motoru, izslēdziet mašīnu un notīriet to, izmantojot atbilstošu instrumentu.

#### 8.2.2 PĻAUŠANAS BLOKA TĪRĪŠANA

Skatīt attēlu 20

- Ieslēdziet stāvbremzi stāvbremzes pozīcijā.
- Noregulējiet zāles plāvēja pļaušanas bloka augstumu zemākajā pozīcijā.
- Pievienojiet dārza šļūtenei komplektācijā iekļauto mazgāšanas pieslēgvietas ātri savienojamo uznavu.
- Savienojiet dārza šļūteni ar plāvēja bloka mazgāšanas pieslēgvietas ātri savienojamo uznavu. Mazgāšanas pieslēgvietā atrodas pļaušanas bloka kreisajā pusē.
- Atgrieziet ūdens krānu.

- Pavelciet jūgvārpstas slēdzi, lai iedarbinātu plāvēja griezējasmaņus, un noregulējiet asmeņu ātrumu augstākajā iestatījumā.
- Noskalojiet ar ūdeni daļu zem plaušanas bloka apmēram vienu minūti.
- Izslēdziet plāvēja asmeņus, nospiežot jūgvārpstas slēdzi.
- Izslēdziet ūdeni un noņemiet dārza šļūteni un mazgāšanas pieslēgvietas ātri savienojamo uznavu.
- Noņemiet ātri savienojamo uznavu no dārza šļūtenes un novietojiet uzglabāšanā turpmākai lietošanai.
- Izslēdziet zāles plāvēju pilnībā.

## 8.2.3 MAŠĪNAS UZGLABĀŠANA

Lai sagatavotu zāles plāvēju uzglabāšanai, rīkojieties šādi:

- Izīriet mašīnu atbilstoši iepriekšējā nodaļā sniegtajam aprakstam.
- Pārbaudiet asmeni un, ja nepieciešams, nomainiet vai uzasiniet (skatīt nodaļu "Apkope").
- Neuzglabājiet mašīnu blakus kodīgām vielām, piemēram, mēslojumam vai akmeņsālim.
- Uzglabājiet mašīnu bērniem nepieejamā vietā.
- Neapklājiet mašīnu ar cietu plastmasas pārklāju. Plastmasas pārklājs aizturēs mitrumu uz mašīnas, kas izraisīs rūšēšanu un koroziju.
- Uzmanīgi pārbaudiet, vai nav nodilušas vai bojātas daļas, kuras ir jānomaina, un pasūtiet tās pie izplatītāja.
- Sazinieties ar servisa centru, lai rūpīgi ieeļļotu mašīnu.
- Pilnībā uzlādējiet akumulatorus un veiciet tiem apkopi.
- Neļaujiet gaisam izplūst no riepām.
- Mašīna jāuzglabā labi vēdināmā, tīrā un sausā vietā, jo akumulatora lādētāju nevar izmantot mitrā vidē.
  - Akumulatoriem ir vienmēr jābūt pilnībā uzlādētiem. Īpaši svarīgi ir novērst akumulatora bojājumus temperatūrā, kas ir zemāka par 0 °C (32 °F).
  - Savienojiet lādētāja adapteri ar uzlādes portu un akumulatoriem, kā tas aprakstīts nodaļas „Elektriskās sistēmas” sadaļā „Uzlādes adapteris”.
  - Iespraudiet lādētāja strāvas vadu atbilstošā strāvas kontaktligzdā. Plašāku informāciju par lādētāja lietošanu un akumulatoru uzlādēšanu skatīt nodaļas “Elektriskā sistēma” sadaļu “Akumulatora lādētājs”, “Akumulatora uzlādēšana” un “Uzlādes ieteikumi”.
  - Lai palielinātu akumulatora darbības ilgumu, uzlādējiet akumulatorus pilnībā neilgi pēc katras lietošanas reizes.

## 8.2.4 SAGATAVOŠANA LIETOŠANAI PĒC UZGLABĀŠANAS

Pirms plāvēja lietošanas pēc tā uzglabāšanas ir jāveic šādas darbības:

- Uzlādējiet akumulatorus pilnībā.
- Pārbaudiet riepu spiedienu un pēc vajadzības piepumpējiet riepās.
- Pabrauciet ar plāvēju un pārbaudiet, vai pareizi darbojas visas sistēmas un komponenti.

## 9 PROBLĒMU NOVĒRŠANA

PROBLĒMA	IESPĒJAMĀIS CĒLONIS	RISINĀJUMS
Zāles plāvējs nebrauc.	Akumulatoru nodalījumā nav ievietots akumulatoru bloks vai Cramer nav ievietots atbilstošais akumulatoru bloks.	Lai transportlīdzeklis darbotos normāli, akumulatoru nodalījumā ir jāievieto vismaz 1 Cramer atbilstošais akumulatoru bloks.
	Nav uzlādēts akumulatoru bloks.	Pārbaudiet akumulatoru bloka jaudu.
	Operators nav apsēdies sēdekļī vai operatora klātbūtnes slēdzis nav aizvērts.	Operatoram ir jāatrodas uz sēdekļa.
	Stāvbremze ir ieslēgta.	Lai riteņi varētu brīvi griezties, izslēdziet stāvbremzi pilnībā.
	Akumulatoru nodalījums atrodas neaktivizētā stāvoklī.	Pagrieziet atslēgas slēdzi IZSLĒGTĀ pozīcijā un, pirms vēlreiz iedarbināt mašīnu, pagaidiet vairāk nekā 5 sekundes.
Pēkšņa apstāšanās braukšanas laikā	Nav uzlādēts akumulators.	Lai viss transportlīdzeklis darbotos normāli, akumulatoru nodalījumā ir jāievieto vismaz 1 Cramer atbilstošais akumulatoru bloks un jāpārbauda, vai akumulatoru blokam pienāk jauda.
	Plāvējs brauca pa nelīdzeniem un bedrainiem ceļiem, kā rezultātā atvienojās operatora klātbūtnes slēdzis.	Ieslēdziet stāvbremzi, vēlreiz iedarbiniet mašīnu un nospiediet kursorsviru.
	Gāzes pedāļa bojājums.	Sazinieties ar Cramer pēcpārdošanas apkalpošanas personālu.
	Bojāts piedziņas kontrolieris.	Sazinieties ar Cramer pēcpārdošanas apkalpošanas personālu.
Asmens nedarbojas, pavelkot jūgvārpstas slēdzi.	Akumulatoru nodalījumā nav ievietots akumulatoru bloks, ko norādījis Cramer.	Lai viss transportlīdzeklis darbotos normāli, akumulatoru nodalījumā ir jāievieto vismaz 1 Cramer atbilstošais akumulatoru bloks un jāpārbauda, vai akumulatoru blokam pienāk jauda.
	Akumulatora jauda ir mazāka par 5 %.	Pārbaudiet akumulatora jaudu un, ja akumulatora jauda ir zema, uzlādējiet akumulatoru.
	Operatora klātbūtnes slēdzis nav aizvērts.	Vadītājam ir jāatrodas uz sēdekļa.
	Asmeņu slēdzis (jūgvārpsta) pirms strāvas ieslēgšanas nebija sākuma stāvoklī.	Nospiediet jūgvārpstu un pavelciet to vēlreiz uz augšu.
	Aktivizēta asmeņu motora bloķēšana vai cita funkcionāla aizsardzība.	Pārbaudiet, vai pie savienojuma starp asmeni un motoru nav nezāļu un citu svešķermeņu, kas traucē asmenim rotēt vienmērīgi. Pirms plaušanas bloka noregulēšanas nepieciešamajā pārnēsumā ieteicams pacelt bloku un iedarbināt asmeni.
	Ejot vadāmais kontrolieris nedarbojas pareizi.	Pārliedzinieties, vai displejā nav redzama cita kļūme.
Asmens apstājas zāles plaušanas laikā.	Nedarbojas asmens kontrolieris.	Pārbaudiet displejā redzamo kļūdas kodu.
	Pārslogots asmens motors.	Iztīriet plaušanas bloka iekšpusi, pārliedzinieties, vai asmeņi griežas kā parasti, nospiediet jūgvārpstu, vēlreiz iedarbiniet mašīnu un samaziniet asmens slodzi, paceļot plaušanas bloka augstumu vai samazinot braukšanas ātrumu.

PROBLĒMA	IESPĒJAMĀIS CĒĻONIS	RISINĀJUMS
	Pārāk augsta akumulatoru bloka temperatūra.	Neizmantojiet akumulatoru bloku uzreiz pēc uzlādes, pretējā gadījumā tas var aktivizēt akumulatora temperatūras aizsardzības ķīlūdu.
	Akumulatora jauda ir mazāka par 5 %.	Akumulatora jauda ir zema, uzlādējiet akumulatoru.
	Pret asmeni atsitās svešķermenis, izraisot pēkšņu apstāšanos.	Pagrieziet atslēgu IZSLĒGTĀ pozīcijā un, pirms vēlreiz iedarbināt mašīnu, pagaidiet vairāk nekā 5 sekundes.
	Nedarbojas piedziņas kontrolieris.	Pārbaudiet displejā redzamo ķīlūdas kodu.
Zāles plāvējs pļauj nevienmērīgi, un augstuma starpība ir ļoti liela.	Asmens kļuvis neass.	Nopulējiet asmeni saskaņā ar rokasgrāmatā esošajām norādēm.
	Asmens ir saliekts.	Nomainiet saliekto asmeni saskaņā ar instrukcijām un valkājiet aizsargaprīkojumu.
	Pļaušanas bloks nav līdzens.	Izlīdziniet pļaušanas bloku saskaņā ar instrukcijām, lai kreisais un labais augstums būtu vienāds.
Faktiskais pļaušanas augstums neatbilst izvēlētajam, atzīmētajam pļaušanas augstumam.	Atskrūvējiet pļaušanas bloka stiprinājuma bultskrūves.	Noregulējiet pļaušanas bloka stiprinājuma bultskrūves, lai pārliecinātos, ka tas ir stingri uzstādīts. Piezīme! Pēc stiprinājuma bultskrūvju noregulēšanas pļaušanas bloks ir vēlreiz jāizlīdzina.
	Pļaušanas bloks ir stipri nolietojies vai bojāts.	Nomainiet pļaušanas bloku pret jaunu.
Netipiska zāles sasmalcināšana	Pārāk slapjš zāliens.	Pirms pļaušanas pārbaudiet zāles stāvokli. Ja zāle ir pārāk mitra, pirms pļaušanas pagaidiet, kamēr vējš izpūš vai uzspīd saule, vai pazūd zāliena rasa.
	Pļāvējs ir iestatīts tā, lai tas ar vienu piegājienu nopļautu daudz zāles.	Ja zāle ir pārāk blīva un gara, paceliet pļaušanas bloku un, cik vien iespējams, izvairieties no smagas zāles pļaušanas.
Zāles plāvējs stipri vibrē	Atskrūvējušies asmeņi.	Nopulējiet asmeni saskaņā ar rokasgrāmatā norādīto metodi.
	Asmeņi ir saliekti.	Nomainiet saliekto asmeni, pievēršot uzmanību pareizai asmens nomaīnai saskaņā ar instrukcijām un valkājiet aizsargcimdus.
	Nelīdzens pļaušanas bloks.	Izlīdziniet pļaušanas bloku saskaņā ar instrukcijām, lai kreisais un labais augstums būtu vienāds.
	Atskrūvējies pļaušanas bloks.	Pieskrūvējiet pļaušanas bloka stiprinājuma bultskrūves.
	Pļāvējs ir iestatīts tā, lai tas ar vienu piegājienu nopļautu daudz zāles.	Ja zāle ir pārāk blīva un gara, paceliet pļaušanas bloku un, cik vien iespējams, izvairieties no smagas zāles pļaušanas.
Pēc pļaušanas uz zemes paliek lapas vai gruži.	Pļāvējs ir iestatīts tā, lai tas ar vienu piegājienu nopļautu daudz zāles.	Ja zāle ir pārāk blīva un garāka par 15 cm, paceliet pļaušanas bloku un veiciet divus pļaušanas ciklus, lai panāktu pļaušanas efektu, mēģiniet nepļaut smagu zāli.
	Pārāk slapja zāle.	Pirms pļaušanas pārbaudiet zāles stāvokli; ja zāle ir pārāk mitra, pirms pļaušanas pagaidiet, kamēr vējš izpūš vai uzspīd saule, vai pazūd zāliena rasa.
	Pārāk liels braukšanas ātrums.	Samaziniet braukšanas ātrumu.
	Pārāk zems asmens griešanas ātrums.	Palieliniet asmens griešanas ātruma līmeni.

# Latviešu

PROBLĒMA	IESPĒJAMĀIS CĒLONIS	RISINĀJUMS
Īss pļaušanas laiks	Smagas zāles pļaušana var saīsināt pļaušanas laiku.	Paceļot pļaušanas bloku augstāk vai samazinot asmens griešanas ātrumu, ar vienu uzlādi var palielināt pļāvēja lietošanas ilgumu.
Zāles pļāvēja aizribošana	Atšķirīgs riepu spiediens	Regulāri pārbaudiet spiedienu pļāvēja aizmugurējās riepās saskaņā ar rokasgrāmatā esošajām norādēm.
Pēc mazgāšanas pļāvēju nevar iedarbināt.	Nepareizi veikta tīrīšana, piemēram, LED ekrānā, akumulatora nodalījumā un citās elektronisko komponentu daļās iekļuvis ūdens.	<ol style="list-style-type: none"> <li>1. Lūdzu, ievērojiet instrukciju par pareizu mašīnas tīrīšanu.</li> <li>2. Ja pļāvējs ir nejauši izmircis, novietojiet un atstājiet to sausā vietā uz 12 stundām vai izpūtiet sausu pirms lietošanas.</li> <li>3. Sazinieties ar Cramer pēcpārdošanas apkalpošanas personālu.</li> </ol>
Aizsērējis zāles pļāvējs.	Pļaušanas blokā sakrājušās nezāles un atkritumi.	Lūdzu, ievērojiet norādījumus par mašīnas tīrīšanu katru reizi pēc tās lietošanas.
Stāvbremzes pozīcijā mašīna sāk strauji slīdēt pa nogāzi.	Spēcīgs riepu nodilums.	Sazinieties ar pēcpārdošanas apkalpošanas centru, lai nomainītu riepas.
	Elektromagnētiskā bremze ir bojāta vai stipri nolietojusies.	Sazinieties ar pēcpārdošanas apkalpošanas centru, lai nomainītu bremzi.
	Elektromagnētiskās bremzes var atliet manuāli.	Pārbaudiet elektromagnētisko bremzi un atiestatiet to sākotnējā stāvoklī.



## 10 TEHNISKIE DATI

Modeļa Nr.	82LT107
Spriegums	82 V
Transportlīdzekļa pilna masa	106±3 kg
Garums	170 cm
Augstums	117 cm
Platums (ar izlādi)	135 cm
Platums (bez izlādes)	107 cm
Pļaušanas bloka platums	107 cm
Ātrums, braucot uz priekšu	0-8 mph
Ātrums, braucot atpakaļgaitā	0-3 mph
Pļaušanas augstuma diapozons	3.81-11.4 cm
Pļaušanas augstuma regulēšanas svira	7 gab.
Ātrums bez noslodzes	2400/3000/3200 RPM
Uzlādes ilgums	4 h (ar 8 lādētāju)
Motora jauda	1.2 kW (asmeņu motors) 1.2 (piedziņas motors)
MAKS. vadāmība slīpumā	15°
Asmeņu skaits (izlāde/mulča)	2 gb.
Izmērītais skaņas spiediena līmenis	$L_{pA} = 84.77 \text{ dB(A)}$ , $K_{pA} = 3 \text{ dB(A)}$
Izmērītais skaņas intensitātes līmenis	$L_{WA} = 98.24 \text{ dB(A)}$
Garantētais skaņas intensitātes līmenis	$L_{WA,d} = 100 \text{ dB(A)}$
Vibrācija	Balsteni: $\leq 2.5 \text{ m/s}^2$ , $K = 1.5 \text{ m/s}^2$ Korpuss: $\leq 2.5 \text{ m/s}^2$ , $K = 1.5 \text{ m/s}^2$

## 11 IEROBEŽOTĀ GARANTIJA

### 11.1 GADĪJUMI, UZ KURIEM ATTIECAS GARANTIJA

Cramer šādu garantiju sniedz tikai sākotnējam pircējam ("Īpašniekam") — garantija nav nododama tālāk:

**A. Izmantošana dzīvojamās zonas vidē:** Cramer produktam, kas tiek izmantots parastajām vajadzībām dzīvojamās zonas vidē\*, tiek nodrošināta piecu (5) gadu vai 1500 stundu lietošanas garantija (atkarībā no tā, kurš nosacījums iestājas agrāk) sākot no iegādes datuma pret visiem šasijas, pļaušanas bloka un akumulatora materiālu vai ražošanas defektiem. Palīgmateriāliem, piemēram, riepām un asmeņiem, tiek nodrošināta trīsdesmit (30) dienu garantija no iegādes datuma. Ja īpašnieks šajā garantijas periodā atklāj materiālu vai ražošanas defektu:

- Īpašniekam nekavējoties par to ir jāpaziņo Cramer vai pilnvarotajam izplatītājam rakstiskā veidā vai pa e-pastu, piezvanot pa tālruni, izmantojot lietotni vai ierodoties klātienē. Šādu paziņojumu nekādā gadījumā nedrīkst pieņemt Cramervai pilnvarots izplatītājs vēlāk par pieciem (5) gadiem no iegādes datuma.
- Saprātīgā laikā pēc šāda paziņojuma un garantijas defekta pārbaudes; Cramer pēc saviem ieskatiem tiks novērsti visi izstrādājuma materiāla vai ražošanas defekti, Cramer veicot remontu vai nomainot daļu(-as) ar jaunām vai lietotām rezerves daļām.
- Šāda remonta izmaksas, ieskaitot detaļas un darbu, sedz Cramer tikai sākotnējais īpašnieks.

**B. Izmantošana komerciāliem mērķiem:** Cramer produktam, kas tiek izmantots komerciālai un iestāžu lietošanai, tiek nodrošināta piecu (5) gadu vai 1500 stundu lietošanas garantija (atkarībā no tā, kurš nosacījums iestājas agrāk) sākot no iegādes datuma pret visiem šasijas, pļaušanas bloka un akumulatora materiālu vai ražošanas defektiem. Palīgmatēriāliem (tostarp, bet ne tikai riepām un asmeņiem) tiek nodrošināta trīsdesmit (30) dienu garantija no iegādes datuma. Ja īpašnieks šajā garantijas periodā atklāj materiālu vai ražošanas defektu:

- Īpašniekam nekavējoties par to ir jāpaziņo Cramer vai pilnvarotajam izplatītājam rakstiskā veidā vai pa e-pastu, piezvanot pa tālruni, izmantojot lietotni vai ierodoties klātienē. Šādu paziņojumu nekādā gadījumā nedrīkst pieņemt Cramervai pilnvarots izplatītājs vēlāk par pieciem (5) gadiem no iegādes datuma.
- Saprātīgā laikā pēc šāda paziņojuma un garantijas defekta pārbaudes Cramer pēc saviem ieskatiem tiks novērsti visi izstrādājuma materiāla vai ražošanas defekti, Cramer veicot remontu vai nomainot daļu(-as) ar jaunām vai lietotām rezerves daļām.
- Šāda remonta izmaksas, ieskaitot detaļas un darbu, sedz Cramer tikai sākotnējais (komerciālais) īpašnieks.

## i PIEZĪME

Ja akumulatoriem neveiksiet pareizu apkopi un neuzglabāsiet tos pilnībā uzlādētā stāvoklī, samazināsiet akumulatora darbības laiku un tiks anulēta akumulatora garantija. Šīs ierobežotās garantijas noteikumi neattiecas uz kļūmēm, kuru cēlonis ir:

- Ļaunprātīga izmantošana vai nolaidība, piemēram: ūdens radīti bojājumi, atskrūvējušie vadi vai sarūsējuši metālizstrādājumi.
- Nepareizi veikta apkope; bojājumi, kas radušies nepareizas akumulatora ievietošanas dēļ; nolaidība, lūzumi, ekstrēmu temperatūras apstākļu radīti bojājumi, tostarp, bet ne tikai, sasaldēšanas temperatūra, pārāk augsta temperatūra, siltuma avotu, tostarp sildītāju vai uguns radīti bojājumi, ūdens vai citu vielu iedarbība, vraks, akumulatora izmantošana pārmērīgas uzlādes stāvoklī vai neuzlādētā stāvoklī.
- Akumulators, ko uzlādē citas sistēmas, kas nav oriģinālā aprīkojuma tipa akumulatoru lādētājs.

**Zemsvītras piezīme:** \* "Parastajām vajadzībām dzīvojamās zonas vidē" šajā kontekstā nozīmē produkta izmantošanu tajā pašā teritorijā, kurā atrodas jūsu mājoklis. Lietošana vairāk nekā vienā vietā tiek uzskatīta par komerciālu izmantošanu, pēc kuras tiks piemērota komerciālas lietošanas garantija.

## 11.2 KAS VEIC GARANTIJAS SERVISU?

Visus garantijas pakalpojumus veic Cramer pilnvarotais izplatītājs vai Cramer pilnvarots servisa tehniķis. Izmaksas par servisa izsaukumiem un/vai produkta transportēšanu uz un no pilnvarotā izplatītāja, kā arī garantijas darbiem sedz produkta īpašnieks. Lai saņemtu garantijas apkalpošanu, sazinieties ar pilnvaroto izplatītāju.

## 11.3 GADĪJUMI, UZ KURIEM NEATTIECAS GARANTĪJA

Cramer garantija netiek sniegta:

- Nepilnvarotu personu veikta remonta gadījumā.
- Par bojājumiem, kas radušies, lietojot Cramer izstrādājumu citiem mērķiem, kuriem tas nav paredzēts.
- Par bojājumiem, ko izraisījušas tādas katastrofas kā ugunsgrēks, plūdi, vējš un zibens.
- Par bojājumiem, kas radušies nolaidīgas rīcības, ļaunprātīgas izmantošanas, neparedzētas lietošanas, nepareizas vai nepamatotas lietošanas, negadījuma dēļ, piemēram, ūdens radīti bojājumi.
- Remonts vai nomainīšana, ko izraisa neatļautu detaļu, piederumu vai papildaprīkojuma izmantošana.
- Par remontu vai detaļu nomainīšanu, kuru rezultātā tiek veiktas izmaiņas vai modifikācijas, nosakot Cramer, kas negatīvi ietekmē iekārtas darbību, veiktspēju vai ilgmūžību.
- Produkti, komponenti vai daļas, ko nav ražojis Cramer.
- Produkti, kuru identifikācija ir mainīta, tostarp, bet ne tikai, noņemti un/vai kļuvuši nesalasāmi sērijas numuri.
- Nolietojums vai bojājumi, kas radušies parasta nodiluma gadījumā, saprātīgas un pareizas apkopes neveikšana, izstrādājuma īpašnieka rokasgrāmatas lietošanas, apkopes un regulēšanas instrukciju vai citu ekspluatācijas instrukciju neievērošana, ko sniedz Cramer.
- Parastās apkopes daļas un apkope, tostarp, bet ne tikai, smērvielas, regulējamās daļas, asmeņi, asmeņu asināšana, gultņi, bremžu vai stūres regulēšana.
- Produkti, kuriem nav apstiprināta programma lietošanai šim produktam, tostarp parametru izmaiņas, pēcpārdošanas programmēšana vai pielāgojumi, vai jebkuras neapstiprinātas komponentu, elektronikas vai programmatūras modifikācijas.

## 11.4 GARANTIJAS ATRUNA

Iepriekš minētās garantijas aizstāj visas citas tiešas vai netiešas garantijas, tostarp, bet ne tikai, netiešās garantijas par piemērotību tirdzniecībai un noteiktam mērķim. Tomēr, ja Cramer produkts ir iegādāts kā patēriņa prece, jebkura netiešā garantija par piemērotību tirdzniecībai vai noteiktam mērķim ir ierobežota līdz šīs ierobežotās garantijas darbības laikam. Dažos apgabalos netiešas garantijas spēkā esamības ilguma ierobežojumi nav atļauti, tāpēc augstāk aprakstītie ierobežojumi uz jums var neattiekties. Šī garantija jums sniedz noteiktas juridiskas tiesības, un jums var būt arī citas tiesības, kas atšķiras atkarībā no valsts un apgabala.

## 11.5 ATBILDĪBAS IEROBEŽOJUMI

Nekādā gadījumā Cramer neuzņemas atbildību par īpašiem, nejaušiem vai izrietošiem zaudējumiem, kuru pamatā ir garantijas pārkāpums, līguma pārkāpums, nolaidīga rīcība, stingra atbildība par kaitējumu vai jebkura cita juridiska teorija. Šādi bojājumi ietver, bet ne tikai:

- Peļņas zaudējumi
- Ietaupījumu vai ieņēmumu zaudējumi
- Produkta vai ar to saistīta aprīkojuma Cramer izmantošanas radīti zaudējumi
- Kapitāla izmaksas
- Jebkāda aizvietojamā aprīkojuma, aprīkojuma, servisa vai dīkstāves radītas izmaksas
- Trešo pušu, tostarp klientu, prasības un īpašuma bojājumi

## 11.6 TERMIŅA IEROBEŽOJUMS

Ja vien valsts tiesību akti nenosaka citādi:

Jebkura darbība par garantijas pārkāpumu ir jāuzsāk piecu (5) gadu vai sešdesmit (60) mēnešu laikā no iegādes datuma attiecībā uz izmantošanu dzīvojamās zonas vidē un/vai komerciālā lietojuma gadījumā.

Ja izgatavošanas datums pārsniedz saprātīgu laika posmu pirms pirmā klienta pirkuma, Cramer uz garantiju var attiekties papildu ierobežojumi.

## 11.7 CITU GARANTIJU NAV

Šī vienošanās ir jāsaprot kā pilnīga un ekskluzīva vienošanās starp pusēm, kas aizstāj visas iepriekšējās mutiskās vai rakstiskās vienošanās un visas citas saziņas starp pusēm saistībā ar šīs vienošanās priekšmetu.

## 11.8 ĪPAŠNIEKA ATBILDĪBA

Jums ir jāuztur savs Cramer produkts, ievērojot apkopes procedūras, kas aprakstītas īpašnieka rokasgrāmatā. Izmaksas par šādu regulāri veiktu apkopi, neatkarīgi no tā, vai to veic izplatītājs vai jūs, ir jāsedz jums.

Šī mašīna, tāpat kā jebkura cita ar strāvu darbināma iekārta, ir potenciāli bīstama, ja tā netiek izmantota pareizi. Jebkuram operatoram ir jārīkojas piesardzīgi un vienmēr jāpatur prātā drošības apsvērumi. Jebkuram operatoram pirms Cramer produkta lietošanas ir rūpīgi jāiepazīstas ar īpašnieka rokasgrāmatu par mašīnas darbību un drošību, kā arī ar visiem drošības brīdinājumiem, kas norādīti uz pašas mašīnas.

## 11.9 RISKU SADALE

Šī vienošanās nosaka risku sadali produkta bojājuma vai kļūmes gadījumā starp Cramer un īpašnieku. Šo sadalījumu atzīst abas puses, un tas ir atspoguļots produktu cenā.

## 11.10 GARANTIJAS REĢISTRĀCIJA

Ja vien valsts tiesību akti nenosaka citādi:

1. Īpašniekiem mašīna ir jāpiereģistrē Cramer desmit (10) dienu laikā pēc iegādes datuma.
2. Reģistrāciju var veikt, aizpildot garantijas reģistrācijas veidlapu, kas ir norādīta lietotāja rokasgrāmatā.
3. Tāpat reģistrāciju var veikt, izmantojot veidlapas tiešsaistē [cramertools.com](http://cramertools.com) vai izmantojot lietotni un iesniedzot pirkumu apliecināšu dokumentu (čeku, ieskaitot pirkuma datumu).

## 12 ES ATBILSTĪBAS DEKLARĀCIJA

Ražotāja nosaukums un adrese:

Nosaukums: Greenworks Tools Europe GmbH  
Adrese: Brunnenweg 17, 64331 Weiterstadt, Vācija

Personas, kura pilnvarota sastādīt tehnisko dokumentāciju, vārds, uzvārds un adrese:

Nosaukums: Ralf Pankalla  
Adrese: Brunnenweg 17, 64331 Weiterstadt, Vācija

Ar šo mēs apliecinām, ka izstrādājums

Kategorija: Zāles pļaušanas traktors  
Modelis: 82LT107  
Sērijas numurs: Skatīt izstrādājuma marķējuma plāksnīti  
Iekārtas izlaides gads: Skatīt izstrādājuma marķējuma plāksnīti

- atbilst Direktīvas Nr. 2006/42/EK par mašīnām attiecīgajiem noteikumiem.
- atbilst sekojošu EK direktīvu noteikumiem:
  - 2014/30/ES
  - 2011/65/ES un (ES) 2015/863

Turklāt mēs apliecinām, ka ir izmantoti šādi Eiropas saskaņotie standarti (daļas/klauzulas):

- EN 62841-1, EN ISO 5395-1, EN ISO 5395-3, EN ISO 14982, IEC 62321-3-1, IEC 62321-4, IEC 62321-5, IEC 62321-6, IEC 62321-7-1, IEC 62321-7-2, IEC 62321-8

Vieta, datums: 11.11.2022

Paraksts: Kvalitātes daļas direktors Ted Qu

Ted Qu

<b>1 Kirjeldus.....</b>	<b>318</b>	7.4 Määrimine.....	329
1.1 Ülevaade.....	318	7.5 Pingutusmomendi väärtused.....	330
1.2 Juhtpaneel.....	318	7.6 Akuploki hooldus.....	330
<b>2 Seadme lahtipakkimine.....</b>	<b>318</b>	7.7 Akupesa filtri hooldus.....	330
<b>3 Paigaldus.....</b>	<b>319</b>	7.8 Hooldus.....	330
3.1 Istme paigaldus.....	319	<b>8 Transport ja hoiustamine.....</b>	<b>331</b>
3.2 Rooliratta paigaldamine.....	319	8.1 Transport.....	331
3.3 Multšikatte paigaldamine.....	319	8.2 Puhastamine ja hoiustamine.....	332
3.4 Tugirattad.....	319	<b>9 Törkeotsing.....</b>	<b>334</b>
3.5 Rakenduse kasutamine.....	320	<b>10 Tehnilised andmed.....</b>	<b>336</b>
<b>4 Kasutusjuhised.....</b>	<b>320</b>	<b>11 Piiratud garantii.....</b>	<b>336</b>
4.1 Enne kasutamist.....	320	11.1 Garantii katvus.....	336
4.2 Seadme kasutamine.....	321	11.2 Garantii teenuste teostaja.....	337
<b>5 Elektrisüsteem.....</b>	<b>324</b>	11.3 Garantii alla mittekuuluv.....	337
5.1 Elektrisüsteemiga seotud ohutus.....	324	11.4 Lahtiütlus garantiist.....	338
5.2 Teave elektrisüsteemi kohta.....	324	11.5 Garantiihüvitiste piirang.....	338
5.3 Digitaalne kuvar.....	325	11.6 Ajapiirang.....	338
<b>6 Tõrked.....</b>	<b>325</b>	11.7 Muude garantiide puudumine.....	338
6.1 Tõrkekood.....	326	11.8 Omaniku vastutus.....	338
<b>7 Hooldus.....</b>	<b>328</b>	11.9 Riskide jaotus.....	338
7.1 Niiduki terade hooldus.....	328	11.10 Garantii registreerimine.....	339
7.2 Esitule vahetamine.....	329	<b>12 EÜ vastavusdeklaratsioon.....</b>	<b>339</b>
7.3 Rehvid.....	329		

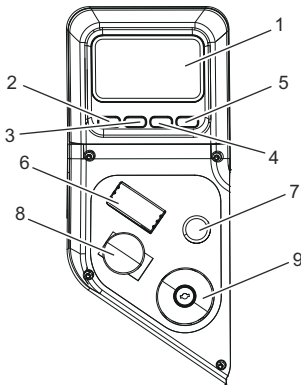
## 1 KIRJELDUS

### 1.1 ÜLEVAADE

Vt eraldi joonistelehte 1-20

- |   |                     |
|---|---------------------|
| 1 Istme reguleerhoob                      | 17 Rooliratas       |
| 2 Külgväljalaske suunaja                  | 18 Katteplaat       |
| 3 Piduripedaal                            | 19 Multšikate       |
| 4 Juhtpaneel                              | 20 Laagrirõngas     |
| 5 Lõikekorpuse kõrguse reguleerimise hoob | 21 Kinnitusklambrid |
| 6 Gaasipedaal                             | 22 Seerianumber     |
| 7 Seisupiduri hoob                        | 23 Sidumiskood      |
| 8 Esituled                                | 24 QR-kood          |
| 9 Tassihoidik                             | 25 Akupesa          |
| 10 USB-pesa                               | 26 Aku              |
| 11 Tugirattad                             | 27 Akuriiv          |
| 12 Istme aluspaneel                       | 28 Tera             |
| 13 Istmekinniti                           | 29 Õli täiteava     |
| 14 Roolivõll                              | 30 Õli äravooluava  |
| 15 Ühenduslüli                            | 31 Aiavoolik        |
| 16 Roolisammas                            | 32 Kiirliitmik      |
|   | 33 Pesuava          |

### 1.2 JUHTPANEEL



#	Nimetus	Funktsioon
1	Digitaalne kuvar	See näitab olulist teavet elektrisüsteemi kohta. Täieliku teabe saamiseks vt elektrisüsteemide jaotist.
2	Terade kiiruse juhtimine / tagasi-nupp	Reguleerige terade kiirust (tsükliiline), kui ollakse avalehel. Vajutage nuppu, et eelmisele lehele naasta.
3	Menüünavigatsioon / leht üles	Minge digitaalsel kuvaril viimasele leheküljele. Tagasi avakuvale.
4	Lampide lülitid / leht alla	Lülitage lambid sisse/välja, kui ollakse avalehel. Minge digitaalsel kuvaril järgmisele leheküljele.
5	Kiirushoidiku nupp / kinnitus	Kiirushoidiku aktiveerimiseks vajutage ja hoidke kauem kui 0,4 s all, kinnitamiseks vajutage nuppu.
6	Suunajuhtimislülitid	Niiduki liikumissuunda juhitakse suunajuhtimislülitid abil. Saadaval olevad seaded on edasikäik (D), neutraalasead (N) ja tagasikäik (R).
7	Vastassuunas niitmise nupp	Vastassuunas niitmise jaoks peab vastassuunas niitmise nupp aktiveeritud olema.
8	Toitelülitid	Lülitid kasutatakse niiduki sisse ja välja lülitamiseks. Enne, kui lülitid kasutada saab, peab süütevõti olema sissestatud.
9	Lõikekorpuse terade sisse/välja lülitamise lülitid (käitusvõll)	See lülitid käivitab lõiketerade mootorid. Mootorite käivitamiseks tõmmake lülitid üles ja mootorite seiskamiseks lükake lülitid alla.

### i OLULINE

Ärge kunagi käivitage lõiketerade mootoreid, kui lõikekorpuse on koormuse all. Mootorid või lõikekorpused võivad kahjustada saada.

## 2 SEADME LAHTIPAKKIMINE

### ▲ HOIATUS

Enne kasutamist pange seade korrektselt kokku.

### ▲ HOIATUS

- Ärge kasutage seadet, kui seadme osad on kahjustunud.
- Ärge kasutage seadet, kui seadmelt puuduvad osad.
- Kui osad on kahjustunud või puudu, võtke ühendust teenindusega.

1. Avage pakend.
2. Lugege kastis sisalduvaid dokumente.
3. Võtke kõik osad kastist välja.
4. Võtke seade kastist välja.
5. Visake kast ja pakkematerjal ära vastavalt kohalikele eeskirjadele.

## ▲ HOIATUS

Ohutuse huvides ärge paigaldage akut enne, kui seade on täielikult kokku pandud.

## 3 PAIGALDUS

### 3.1 ISTME PAIGALDUS

Vt joonist 3

1. Pange istmekoost istme aluspaneelile ja joondage avad näidatud viisil.
2. Paigaldage poldid, seibid ja mutrid ning pingutage need kindlalt kinni.
3. Kinnitage hülsid mutrite külge.
4. Veenduge, et see kindlalt omal kohal oleks.
5. Ühendage istmekinniti seadmega.

### 3.2 ROOLIRATTA PAIGALDAMINE

Vt joonist 4-5

## i MÄRKUS

Veenduge, et avaus oleks suunatud üles istme suunas.

1. Paigaldage roolivõll ühenduslüli külge, pöörates seda vastavalt vajadusele, et võllis olev ava ühenduslülis oleva poldiavaga joondada.
2. Paigaldage kaks polti ja kinnitage need kindlalt.

## i MÄRKUS

Pingutage poltide pöördemomendid näidatud väärtusteni.

3. Paigaldage roolisammas. Jälgige roolisamba allosas olevaid sakke, mis avauses olevatesse aukudesse sobituvad, ja veenduge, et roolisammas oleks kindlalt omal kohal.
4. Veenduge, et niiduki rattad oleks otse ette suunatud ja seejärel paigaldage rooliratas jõuga roolisamba peale.
5. Paigaldage polt ja seib, pingutage need kindlalt kinni.
6. Paigaldage rooliratta katteplaat.

### 3.3 MULTŠIKATTE PAIGALDAMINE

Vt joonist 6

Kui niiduk tarnitakse, on see seadistatud külgväljalaskele. Kui soovite multšimist, toimige alljärgnevalt.

1. Pange multšikate niiduki korpuse sakile.
2. Joondage multšikatte augud niiduki korpuse aukudega.
3. Paigaldage ja pingutage poldid, kruvid, kinnitusklambrid ja laagrirõngas näidatud viisil.

### 3.4 TUGIRATTAD

Vt joonist 2

Tugirattad kuuluvad ettevõtte Cramer seadmete standardvarustusse. Need tugirattad on loodud, minimeerimaks konarlikul ja ebatasasel maapinnal niites mullamätaste lõikamist. Pärast lõikamiskõrguse seadistamist reguleerige tugirattaid, nii et need ulatuksid lõikekorpusest allapoole, kuid ei puutuks vastu maapinda. Need peaksid alati olema

0,6 cm kuni 1,9 cm lõikekorpusel allpool. Kui seade seisab tasasel maapinnal, saab rataste asendit vastavalt vajadusele üles- ja allapoole reguleerida, nii et need on terade pinnast 1,9 cm kuni 4,4 cm allpool. Liigutage rattaid üles- või allapoole, kasutades ratta paigalduskronsteinis olevaid erinevaid telgede kinnitusauke (kui need on mudell olemas).

## 3.5 RAKENDUSE KASUTAMINE

Vt joonist 7-8

1. Külastage seadmepargi halduslehte aadressil [fleet.cramertools.com](http://fleet.cramertools.com)
2. Looge konto ja logige seejärel sisse.
3. Kutsuge oma ettevõttest teisi kasutajaid.
4. Skannige QR-kood, laadige rakendus alla ja logige sisse.
5. Lisage seade. Leidke sõidukilt selles juhendis olevale vastav silt seerianumbri, sidumiskoodi ja QR-koodiga. Skannige QR-kood või trükkige kood käsitsi sisse.

## 4 KASUTUSJUHISED

### 4.1 ENNE KASUTAMIST

#### 4.1.1 ISTME REGULEERIMINE

Vt joonist 9

Enne, kui niidukiga tööd alustate, reguleerige istme asendit, veendumaks, et teie jalad on kindlalt gaasi- ja piduripedaalil.

1. Istuge istmele ja tõmmake istme reguleerhooba.
2. Hoidke hooba ja libistage samal ajal iste soovitud asendisse.
3. Vabastage reguleerhoob ja veenduge enne töö alustamist, et iste oleks soovitud asendisse lukustatud.

### ▲ HOIATUS

Veenduge enne niidukiga töötamist, et iste oleks oma kohale lukustatud. Iste, mis pole kindlalt kinnitatud, võib põhjustada operaatori nihkumist oma kohalt ja niiduki üle kontrolli kaotamist ning lõppeda surma või tõsise kehavigastusega.

#### 4.1.2 LÕIKEKÕRGUSE REGULEERIMINE

Vt joonist 10

Tõstke enne niiduki kasutamist lõiketerad kõrgusele, mis teie murule kõige paremini sobib.

Lõiketerade kõrgust saab reguleerida vahemikus 3.81-11.4 cm. Lõikekorpus peaks niitmise ajal tõstetud olema, et vältida kände, kive ja muid takistusi, mis võivad niiduki lõikekorpusi kahjustada.

### ▲ ETTEVAATUST

Kui lõikekorpuse kõrgust reguleerite, hoidke lõikekorpuse kõrguse reguleerimise hooba kindlalt ning vabastage see alles siis, kui see on kindlalt soovitud avauses. Hoova järsk vabastamine võib tekitada operaatori käe muljumise või kiskumise ohtu.

1. Peatage niiduk ja seisake terad.
2. Keerake süütevõti väljalülitatud asendisse (OFF) ja rakendage seisupidur.
3. Lõikekorpuse tõstmiseks haarake lõikekorpuse kõrguse reguleerimise hoovast, lükake seda vasakule, et see avausest vabastada, lükake seda niiduki tagaosas suunas ja seejärel lükake seda paremale, et see kindlalt soovitud avausse kinnituks.
4. Lõikekorpuse langetamiseks haarake lõikekorpuse kõrguse reguleerimise hoovast, lükake seda vasakule, et see avausest vabastada, lükake seda niiduki esiosa suunas ja seejärel lükake seda paremale, et see kindlalt soovitud avausse kinnituks.

#### 4.1.3 AKUPLOKI PAIGALDAMINE

Vt joonist 11



Veendumaks, et niiduki akud oleks täiesti laetud, kontrollige akutaseme näidikut. Üksikasju vaadake aku kasutusjuhendist.

1. Tõstke istme aluspaneel üles.
2. Avage akupesa kate.
3. Paigaldage akuplokk akupessa.

## ▲ HOIATUS

Joondage aku reljeftribud akupordiga. Veenduge, et akuriiv klõpsaks sujuvalt akupessa.

### 4.1.4 ENNE SEADME KASUTAMIST

- Veenduge, et tööpiirkonnas ei oleks lapsi, kõrvalisi isikuid ega lemmikloomi.
- Puhastage tööpiirkond esemetest, mida niiduki terad võivad õhku paisata.
- Kontrollige pidurite toimimist.
- Kontrollige rehvirõhku.
- Kontrollige, et ükski kinnitus poleks lahti.
- Kontrollige, et kõik kaitsmed oleks omal kohal ja toimiksid nõuetekohaselt.
- Puhastage niiduk prahist.
- Kontrollige turvalukusüsteeme.
- Reguleerige iste soovitud asendisse.
- Kontrollige aku laetuse taset.

### 4.1.5 TURVALUKUSÜSTEEM

Vt *joonist 12*

Sellel niidukil on turvalukusüsteem, mille eesmärk on operaatorit lõiketerade seiskamise abil kaitsta, kui operaator lahku istmelt ajal, kui lõiketerad töötavad. Kontrollige süsteemi enne seadme iga kasutuskorda, veendumaks, et see toimib nõuetekohaselt.

1. Veenduge, et suunajuhtimislülitit oleks neutraalasendis (N) ja käitusvõlli lülitit oleks alla suunatud.
2. Sisestage süütevõti ja keerake see sisselülitatud asendisse (ON).
3. Vabastage seisupidur.
4. Tõmmake käitusvõlli lülitit, et lõiketerad käivitada.
5. Tõuske kergelt istmelt, kuid ärge niidukilt lahkuge.

Terad peaksid viie sekundi jooksul seiskuma. Kui need seda ei tee, võtke ühendust klienditeenindusega. Ärge tõotage niidukiga, kuni selle turvalukusüsteem on parandatud.

## 4.2 SEADME KASUTAMINE

### 4.2.1 SEADME KÄIVITAMINE

## i MÄRKUS

Enne niidukiga töö alustamist veenduge, et tööpiirkonnas poleks kõrvalisi isikuid. Kui keegi siseneb niidetavale alale, peatuge viivitamatult ja ärge jätkake niitmist enne, kui kõrvalised isikud on niidetavalt alalt lahkunud.

1. Tõstke niiduki lõikekorpus kõrgeimasse võimalikku asendisse.
2. Sisestage süütevõti ja keerake see sisselülitatud asendisse (ON).
3. Vajutage suunajuhtimislülitit neutraalasendisse (N).
4. Vabastage seisupidur.
5. Tõmmake lõikekorpuse käitusvõlli lülitit, et lõiketerad niitmiseks käivitada.
6. Vajutage suunajuhtimislülitit edasikäiguasendisse (D) ja sõitke soovitud niitmiskohta.

## i MÄRKUS

Olge pinnakattega jalutusteid ja sissesõiduteid ületades ettevaatlik. Seisake enne nende ületamist terad ja tõstke löikekorpus nii kõrgele, kui võimalik, et minimeerida kivide eemale paiskumise ohtu. Sõitke ettevaatlikult, et vältida haardumise kadu ja seadme üle kontrolli kaotamist.

## i MÄRKUS

Ärge proovige töösuunda muuta, kui niiduk liigub. Laske niidukil enne töösuuna muutmist alati täielikult seisma jääda.

### 4.2.2 KIIRUSHOIDIKU SEADISTAMINE

1. Kui niidukiga edasi sõidate, vajutage gaasipedaali, kuni saavutate soovitud kiiruse.
2. Vajutage kiirushoidiku nuppu ja hoidke seda all kauem kui 0,4 sekundit.
3. Vabastage surve gaasipedaalilt. Niiduk peaks jääma püsivalt samale kiirusele.

### 4.2.3 KIIRUSHOIDIKU VABASTAMINE

1. Toksake gaasipedaalile, vajutage piduripedaal alla.

### 4.2.4 SEISUPIDURI RAKENDAMINE

1. Vajutage piduripedaal täiesti alla ja hoidke seda all.
2. Tõmmake seisupiduri hoob üles ja hoidke seda.
3. Vabastage piduripedaal.
4. Vabastage seisupiduri hoob.

## ▲ HOIATUS

Ärge kunagi jätke töötava mootoriga niidukit järelevalveta. Veenduge, et seisupidur oleks rakendatud ja süütevõti eemaldatud. Kui seisupidurit ei rakendata, võib niiduk liikuma hakata. Kui süütevõtit ei eemaldata, võivad niidukit kasutada selleks volitamata isikud, mis võib kaasa tuua tõsised kehavigastused.

### 4.2.5 SEISUPIDURI VABASTAMINE

1. Seisupiduri vabastamiseks vajutage piduripedaal alla.

### 4.2.6 SEADME SEISKAMINE

1. Seisake niiduk tasasel horisontaalsel pinnal.
2. Rakendage seisupidur.
3. Lükake käitusvõlli lüliti alla, et terad välja lülitada.
4. Keerake süütevõti väljalülitatud asendisse (OFF).

### 4.2.7 VASTASSUUNALISES REŽIIMIS TÖÖTAMINE

Vt joonist 13

- Vajutage piduripedaal alla ja laske niidukil täielikult seiskuda.
- Lükake käitusvõlli lüliti alla, et terad välja lülitada.
- Vajutage suunajuhtimisüliti tagasikäiguasendisse (R).
- Vajutage vastassuunas niitmise nuppu.
- Tõmmake käitusvõlli lüliti, vajutage aeglaselt gaasipedaali ja niitke vastassuunas, nagu vaja.

## ▲ HOIATUS

Ärge niitke vastassuunas, kui see just vältimatult vajalik ei ole. Vaadake alati enne tagurdamist ja tagurdamise ajal alla ja tahapoole, veendumaks, et niidetavale alale ei siseneks ühtegi last, kõrvalist isikut ega lemmiklooma. Pidage meeles, et surma või raskeid vigastusi põhjustavaks õnnetuseks piisab ka sekundi murdosa pikkusest tähelepanematusesest.

## ▲ HOIATUS

Olge eriti ettevaatlik enne tagurdamist ja tagurdamise ajal, kui teie niidukile on paigaldatud koguja (ei kuulu komplekti), kuna see võib nähtavust piirata. Vaadake alati hoolikalt nii seljataha kui ka alla, veendumaks, et seal ei oleks väikeseid lapsi, kõrvalisi isikuid ega lemmikloomi, ning sõitke niidukiga aeglaselt, vältimaks õnnetusi, kus kellelegi otsa tagurdate ja surma või tõsiseid kehavigastusi põhjustate.

### 4.2.8 USB-PESA KASUTAMINE

Vt joonist 14

USB-laadimispidid pakuvad 5-voldist kuni 2,1-amprilist alalisvooluga laadimisvõimsust mobiiltelefonide, MP3-mängijate või muude USB-seadmete laadimiseks. Täpsemate laadimisnõuete nägemiseks lugege oma seadme kasutusjuhendit.

Oma seadme laadimise alustamiseks ühendage USB-kaabli (ei kuulu komplekti) üks ots oma seadmega ja teine ots niiduki USB-laadimispesaga.

## i MÄRKUS

Kui proovite laadida seadmeid voolutugevusega, mis ületab 2,1 amprit, võib see kahjustada USB-laadimispesa ja/või niidukit.

## i MÄRKUS

USB-laadimispesa võimaldab laadimist üksnes siis, kui seade on käivitatud.

## ▲ HOIATUS

Ärge kunagi kasutage niidukiga töötamise ajal kõrvaklappe ega ühtegi elektroonikaseadet, nagu nutitelefoni või tahvelarvuti. Tähelepanu hajumine töötamise ajal võib kaasa tuua õnnetuse, mis võib põhjustada operaatori või kõrvalise isiku surma või tõsiseid kehavigastusi.

### 4.2.9 PRAKTILISED NÕUANDED

Vt joonist 15

- Hoidke niiduki terad teravad.
- Veenduge, et murul ei oleks kive, pulki, traate, mänguasju, pähkleid, puuoksi ega muid objekte, mis võiksid niiduki terasid või mootorit kahjustada. Ärge sõitke niidukiga üle piirpostide ega muude metallpostide. Sellised esemed võivad terasid kahjustada või kogemata igas suunas paiskuda ning põhjustada operaatorile ja teistele isikutele raskeid kehavigastusi.
- Et muru püsiks terve, niitke alati ära kolmandik muru kogupikkusest või vähem.
- Kui niidate suuri alasid, alustage paremale pöörates, et lõigatud libled paiskuksid pöösastest, aiapiiretest, sissesõiduteedest jms eemale. Pärast ühte või kahte ringi niitke vastassuunas, keerates lõpetamiseni vasakule.
- Niitke nii, et lõigatud rohulibled paiskuksid välja muru suunas, mis on juba niidetud.
- Pika rohu niitmisel vähendage kiirust, et libledel lõikamine oleks tõhusam ja need niidukist nõuetekohaselt eemale paiskuksid.
- **Tavapärasel niitmisel** lõigake rohuliblest ära üksnes 38 mm (1,5 tolli). Sellest rohkema lõikamine pole soovitatav, kui just muru pole hõre või käes pole niitmishooaja lõpp.
- Ärge lõigake niisket muru. See jääb lõikekorpuse alakülje külge kinni ja takistab murulõikmete nõuetekohast kokku kogumist või multšimist.
- Värske või paks rohi võivad vajada kitsamat lõikamist või suuremat lõikekõrgust.
- Hoidke niiduki lõikeüksus ja külgväljalaske suunaja puhtad. Eemaldage murulõikmed, lehed, mustus, muld ja muu kogunenud praht enne ja pärast iga kasutuskorda. Ärge pritsige seda puhastamiseks aiakastmisvoolikust.

## i MÄRKUS

Enne niiduki altpoolt puhastamist seisake alati niiduk, oodake, kuni lõiketerad on täielikult peatunud, ja eemaldage süütevõti.

## 4.2.10 KASUTAMINE NÕLVADEL

Vt joonist 16

Nõlvad on sageli seotud niiduki üle kontrolli kaotamist ja niiduki kummuli minemist mõlmavate õnnetustega, mis võivad põhjustada tõsiseid kehavigastusi ja surma. Kõikidel nõlvadel töötamise ajal tuleb olla eriti tähelepanelik. Kui te ei saa nõlval tagurdada või tunnete end seal ebakindlalt, ärge niitke seda.

- Sõitke nõlvadel suundades, mida tootja on soovitanud. Olge järsakute läheduses töötades ettevaatlik.
- Ärge mingil juhul töötage niidukiga, kui haardumine, rooliga juhtimine või stabiilsus ei pruugi nõuetekohaselt toimida. Rehvid võivad libiseda isegi siis, kui rattad on seiskunud.
- Hoidke nõlvast alla sõites alati käik sees. Ärge sõitke nõlvast tühikäigul alla.
- Niitke nõlvadel üles- ja allasuunas, mitte nõlvaga risti.
- Olge aukude, rööbaste, kühmude, kivide ja muude varjatud esemete suhtes tähelepanelik. Niiduk võib ebaühtlasel maapinnal kummuli paiskuda. Pikk rohi võib takistusi varjata.
- Ärge niitke järsakute, kraavide ega kaldapealsete lähedal. Niiduk võib äkitselt ümber minna, kui ratas üle ääre satub või serv sisse variseb.
- Valige väike kiirus, et te ei peaks nõlval niitmise ajal peatuma ega käiku vahetama.
- Ärge niitke niiskele muru. Rataste haarduvus võib kaduda.
- Vältige nõlval käivitamist, seiskamist ja pööramist. Kui rataste haarduvus kaob, seisake tera(d) ja liikuge aeglaselt nõlvast otse alla.
- Liikuge nõlvadel alati aeglaselt ja tasapisi. Ärge muutke äkiliselt kiirust ega suunda, kuna see võib põhjustada niiduki ümberminekut.
- Olge eriti ettevaatlik, kui töötate niidukiga, millel on lisaseadmeid, need võivad mõjutada niiduki stabiilsust. Ärge kasutage järskudel nõlvadel.
- Kui kasutate valikulist kogujat, olge väga ettevaatlik ja töötage niidukiga nõlvadel aeglaselt, kuna koguja võib niiduki stabiilsust mõjutada.
- Kasutage nõlvast alla sõites alati pidureid. Ärge laske niidukil nõlvast tühikäigul alla sõita, nii et suunajuhtimisüliti on neutraalasendis.

## 5 ELEKTRISÜSTEEM

### 5.1 ELEKTRISÜSTEEMIGA SEOTUD OHUTUS

- Enne üksuse reguleerimist või parandamist eemaldage süütevõti ja akud ning lugege kasutusjuhendit.
- Enne selle üksusega töötamist eemaldage alati süütevõti ja akud.
- Üksuse transportimisel eemaldage alati süütevõti ja akud.
- Hoidke üksus murulõikmetest, lehtedest ja muust prahist puhas. ÄRGE puhustage üksusele selle puhastamiseks vett. Kasutage ainult suruõhku. Kandke üksuse puhastamisel asjakohaseid nägemis- ja kuulmiskaitsevahendeid.
- Kandke aku läheduses alati kaitseprille ja kaitsevahendeid. Kasutage isoleeritud tööriistu.
- Puhastage akupesade, sõidumootori kamber, niiduki lõikekorpus, iste jm kogu mustusest ja prahist. Ärge kasutage lahusteid, tugevatoimelisi ega abrasiivseid puhastusvahendeid.
- Kui süütevõti on sisselülitatud (ON) asendis, võivad niiduki terad lõikekorpusse terade sisse/välja lülitamise lüliti (kaitusvõlli) sisselülitamisel käivituda isegi siis, kui sõidumootor ei tööta. Jälgige, et

läheduses ei oleks kõrvalisi isikuid, kui lõikekorpusse terad sisse lülitate.

- Kõik hooldus- ja hoiustusalad peaksid olema tuleohtu vältimiseks kooskõlas kohaldatavate tuleohutuseeskirjade ja -määrustega nõuetekohaselt ventileeritud.
- Ärge kunagi võimaldage akude läheduses leeke, sädemeid ega suitsetamist.
- Hoidke akud lastele kättesaamatus kohas.
- Hoidke kaitsekiilbid, katted ja kaitsmed alati omal kohal ja kindlalt kinnitatuna. Kui need kahjustada saavad, parandage või asendage need viivitamatult. Ärge iialgi muutke ega eemaldage kaitsevahendeid.

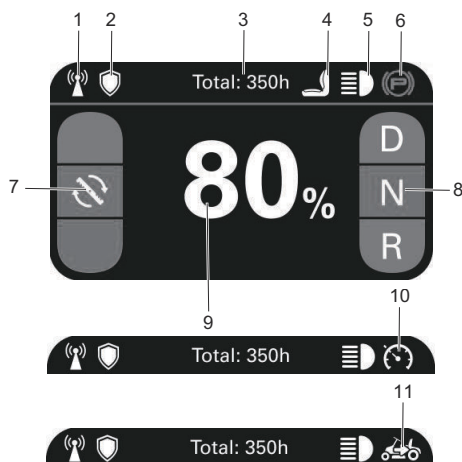
### 5.2 TEAVE ELEKTRISÜSTEEMI KOHTA

Niidukile annab toidet Cramer 82-voldine elektrisüsteem. See koosneb alljärgnevatest osadest.

1. Terade ja sõiduajami kontroller (1)
2. Terade mootor (2)
3. Kiirendi (1)
4. Digitaalne kuvar (1)
5. Rataste mootor (1)
6. Akupesade (1)

## 5.3 DIGITAALNE KUVAR

Juhtpaneelil asuva digitaalse kuvari ülesanne on anda operaatorile teavet elektrisüsteemi kohta. See annab muistrite, koodide ja numbrite kujul üksikasjalikku teavet.



#	Nimetus	Funktsioon
2		GreenShield
3	Kokku: 350 h	Sõiduki tööaeg
4		Istme lüliti on suletud
5		LED-tuled
6		Seisupidur on rakendatud
7		Terade kiirus
8	D/N/R	Sõidusuund: edasikäik (D), neutraal- lasend (N) ja tagasikäik (R)
9	80%	Allesjäänud akutase
10		Kiirushoidik
11		Vastassuunas niitmise režiim on akti- veeritud

#	Nimetus	Funktsioon
1		4G GPS-signaal

## 6 TÕRKED

Kui süsteem CANBUS tuvastab probleemi, rakendub see kasutaja ja seadme kaitsmiseks. Kui see seadme või selle osa välja lülitamiseks rakendub, annab see märku, et on ilmnenud tõrge. See tõrge kuvatakse digitaalsel kuvaryl. Kõiki elektrisüsteemiga seotud tõrkeid tähistatakse tähekooriga, millele järgneb number. Esimene täht kirjeldab tõrke põhjustanud süsteemi vastavalt alljärgnevale tabelile.

Nimetus	Tähendus
T	Sõiduajami kontrolleri ja mootori
PMU	Toitehaldusüksus (akupesas)
ML	Vasaku tera mootori kontrolleri
MR	Parema tera mootori kontrolleri
V	Sõiduk

## 6.1 TÖRKEKOOD

Törkekood	Kirjeldus	Lahendus
T11	Ülepinge	Pinge on liiga kõrge. Taaskäivitage toiteallikas.
T12	Alapinge	Pinge on liiga madal. Enne kasutamist laadige akuplokk täis.
T13	Kontrolleri enesekontrolli tõrge	Kui ilmneb see probleem, võtke lahenduse leidmiseks ühendust edasimüüjaga.
T14	Sõiduajami mootori seiskumine	Kontrollige, et sõidurattad poleks kinni jäänud, ja taaskäivitage toiteallikas.
T15	Mootori koodri tõrge	Kontrollige, et sõiduajami kontrolleri Halli efekti konnektor oleks nõuetekohaselt ühendatud ja seejärel taaskäivitage toiteallikas.
T16	Kontrolleri juhtahela tõrge	Kui ilmneb see probleem, võtke lahenduse leidmiseks ühendust edasimüüjaga.
T17	Kontrolleri sõiduajamiosa ülekuumenemine	Kontrolleri temperatuur on liiga kõrge. Oodake, kuni kontroller maha jahtub, ja taaskäivitage seejärel toiteallikas.
T18	Sõiduajami mootori ülekuumenemine	Mootori temperatuur on liiga kõrge. Oodake, kuni mootor maha jahtub, ja taaskäivitage seejärel toiteallikas.
T21	Sõiduajami mootori temperatuurian-dur toimib ebatavaliselt	Kontrollige temperatuurian-duri juhtmestikku hälvete suhtes.
T22	Kontrolleri riistvara sõiduajamiosa ülevool	Koormus on liiga suur. Taaskäivitage toiteallikas.
T23	Laadimiseelne tõrge	Taaskäivitage toiteallikas.
T25	Sõiduajami tarkvara ülevool	Koormus on liiga suur. Taaskäivitage toiteallikas.
T26	Sõiduajami metall-oksüüd-pooljuhi tõrge	Kui ilmneb see probleem, võtke lahenduse leidmiseks ühendust edasimüüjaga.
T27	Mootori faasi kadu	Kontrollige, et sõiduajami kontrolleri mootori kaablid oleks nõuetekohaselt ühendatud, seejärel taaskäivitage toiteallikas.
T28	Sõiduajami kontrolleri ülekuumenemine	Kontrolleri temperatuur on liiga kõrge. Oodake, kuni kontroller maha jahtub, ja taaskäivitage seejärel toiteallikas.
V14	Vastassuunalise niitmise tegevuste väär järjekord	Palun vajutage enne vastassuunalist niitmist vastassuunas niitmise nuppu.
V15	Sõiduki enesekontrolli tõrge	<ol style="list-style-type: none"> <li>1. Kontrollige enne sõiduki käivitamist, et pidur oleks rakendatud asendis.</li> <li>2. Pange enne sõiduki käivitamist lõikekorpuse lüliti väljalülitatud asendisse ja kontrollige, et lõikekorpuse lüliti oleks nõuetekohaselt ühendatud.</li> <li>3. Pange enne sõiduki käivitamist DNR-käigukang neutraalsesse (N) asendisse.</li> <li>4. Kontrollige, et istme all olev konnektor oleks nõuetekohaselt ühendatud.</li> <li>5. Ärge vajutage sõiduki käivitamisel kiirushoidiku nuppu.</li> <li>6. Ärge vajutage sõiduki käivitamisel gaasipedaali.</li> </ol>
V16	Toimingute väär järjekord	Viige kiirendi ja terade lüliti tagasi esialgsetesse asenditesse.
V17	Perifeerse jadaliidese sidetõrge	Taaskäivitage toiteallikas.

# Eesti keel

Tõrkekood	Kirjeldus	Lahendus
V18	Akupesa luuk	Kontrollige, et kiirendi kaablid oleks nõuetekohaselt ühendatud ja taaskäivitage toiteallikas.
V22	Ebatavaline terade signaal	Kontrollige, et terade käivituslüüti oleks nõuetekohaselt ühendatud ja seejärel viige lüüti tagasi algseesse asendisse.
V21	Toitehaldusüksuse CAN-siini side-tõrge	Side akupesaga ajalõpp. Taaskäivitage toiteallikas.
V23	Operaatori kohalolu lüüti ebatavaline	Kontrollige, et istme all olev konnektor oleks nõuetekohaselt ühendatud, seejärel taaskäivitage toiteallikas.
ML3	Vasaku tera tarkvara ülevool	Kontrollige niitmiskoomust ja taaskäivitage toiteallikas.
ML4	Vasaku tera seiskumine	Kontrollige niitmiskoomust ja viige terade käivituslüüti tagasi algseesse asendisse.
ML6	Vasaku tera metall-oksüüd-pooljuhi tõrge	Kui ilmneb see probleem, võtke lahenduse leidmiseks ühendust edasimüüjaga.
ML7	Vasaku tera mootori faasi kadu	Kontrollige, et terade kontrollid ja mootori kaablid oleks nõuetekohaselt ühendatud, seejärel taaskäivitage toiteallikas.
ML9	Vasaku tera kontrolleri ebatavaline temperatuur	Kontrolleri temperatuur on liiga kõrge. Oodake, kuni kontrollid maha jahtub, ja taaskäivitage seejärel toiteüksus.
ML14	Vasaku tera riistvara ülevool	Kontrollige niitmiskoomust ja taaskäivitage toiteallikas.
ML15	Vasaku tera käivitamise nurjumine	Kontrollige niitmiskoomust ja viige terade käivituslüüti tagasi algseesse asendisse.
MR3	Mootori madala kiiruse kaitse	Kontrollige niitmiskoomust ja taaskäivitage toiteallikas.
MR4	Mootori liigkiiruse kaitse	Kontrollige niitmiskoomust ja viige terade käivituslüüti tagasi algseesse asendisse.
MR6	Mootori Halli efekti anduri tõrge	Kui ilmneb see probleem, võtke lahenduse leidmiseks ühendust edasimüüjaga.
MR7	Kontrolleri faasi kadu	Kontrollige, et terade kontrollid ja mootori kaablid oleks nõuetekohaselt ühendatud, seejärel taaskäivitage toiteallikas.
MR9	Metall-oksüüd-pooljuhi väljatransistori avatud ahela tõrge	Kontrolleri temperatuur on liiga kõrge. Oodake, kuni kontrollid maha jahtub, ja taaskäivitage seejärel toiteallikas.
MR14	Kontrolleri alapinge	Kontrollige niitmiskoomust ja taaskäivitage toiteallikas.
MR15	Kontrolleri ülepinge	Kontrollige niitmiskoomust ja viige terade käivituslüüti tagasi algseesse asendisse.
PMU10	Akuploki avatud ahela tõrge	Akupesa ja aku temperatuur on liiga madal. Kasutage seadet sobival temperatuuril ja taaskäivitage toiteallikas.
PMU11	Oluline toitehaldusüksuse tõrge	Akupesa ja aku temperatuur on liiga kõrge. Oodake, kuni aku maha jahtub, ja taaskäivitage seejärel toiteüksus.
PMU12	Toitehaldusüksuse teisene tõrge	Akupesa oluline tõrge ei võimaldanud sõiduajamisel terasüsteemidel käivituda. Taaskäivitage toiteallikas ja proovige uuesti.
PMU13	Akuplokk ei ole saadaval	Kontrollige, et kasutaksite õiget akuplokki, seejärel taaskäivitage toiteallikas.
PMU	Saadaval on ebapiisavad akuplokkid, funktsionaalsus võib piiratud olla.	Sisestage täiendavaid akuplokke.
NA	Kuvari sidetõrge	Kontrollige kuvari ühendusosi ja CAN-võrku.

# Eesti keel

Tõrkekood	Kirjeldus	Lahendus
	Valitud on väär kuvar	Valige oma sõiduki mudeli jaoks õige kuvar

## 7 HOOLDUS

### 7.1 NIIDUKI TERADE HOOLDUS

Kontrollige niiduki terasid iga päev. Need on tõhusa toitekasutuse ja hästi hooldatud muru võtmeteguriks. Hoidke need teravad – nööri tera pigem rebestab kui lõikab rohuliblesid, nii et rohuliblede ülaserivad on sakilised ja muutuvad paari tunni jooksul pruuniks. Lisaks vajab nööri tera rohkem toidet. Vahetage kõik väändunud, mõradega või katkised terad välja.

#### ▲ HOIATUS

Ärge kunagi proovige väändunud tera kuumutamise abil sirgestada ega mõranenud või purunenud tera kinni keevitada, kuna need võivad puruneda ja tõsiselt kehavigastusi põhjustada. Vahetage kulunud või kahjustatud terad välja.

#### ▲ HOIATUS

Ärge kunagi töötage teradega, kui süütevõti on süütelukus. Keerake süütevõti väljalülitatud asendisse (OFF), eemaldage akuplokid seadmest. Kui peate niiduki all töötama, blokeerige niiduki rattad. Kandke terade käsitlemise ajal kindaid. Kontrollige terasid kahjustuste suhtes alati, kui niiduk tabab kivi, oksa või muid võõrkehi!

#### ▲ OHTLIK

Kiirteritust võib teha viiliga. Kontrollige teritamise järel, et terad oleks tasakaalus. Kaubanduslikud tasakaalustusvahendid on saadaval enamikes rauakaupade poodides, samuti võib tasakaalustada, asetades tera ümberpööratud naelatornile või 12,7 mm (1/2 tolli) poldile. Tera ei tohi kalduda ega viiltu vajuda. Tera aeglaselt keerutamise ajal ei tohi see laperdada. Kui tera on tasakaalust väljas, viige see enne uuesti paigaldamist tasakaalu. Asetage terad tasasele pinnale ja kontrollige neid moonutuste suhtes. Asendage kõik moonunud terad.

#### ▲ HOIATUS

- Õigesti lõikamiseks peab tera kumer osa osutama ülespoole lõikekorpusse sisemise osa suunas.
- Terade paigaldamisel pöörake neid pärast paigaldamist, tagamaks, et terade otsad ei puutuks vastu üksteist ega niiduki külgi.
- Kui polti õigesti ei pingutata, võib tera lahti tulla, mis võib põhjustada tõsiselt kehavigastusi.
- Niiduki terad on teravad ja võivad sisse lõigata. Kandke nende hooldamisel kindaid ja olge eriti ettevaatlik.

### 7.1.1 TERA VAHETAMINE

Vt joonist 17

1. Seisake mootor, eemaldage süütevõti ja rakendage seisupidur.
2. Tõstke lõikekorpus suurimale võimalikule kõrgusele, võimaldamaks ligipääsu teradele.

#### i MÄRKUS

Vajadusel tõstke niidukit, pannes selle tõstukile või kasutades tungrauda ja aluspukke, või eemaldage lõikekorpus eelmises jaotises kirjeldatud viisil, et teradele ligi pääseda.

#### ▲ HOIATUS

Kui tõstate teradele ligi pääsemiseks niidukit, veenduge enne jätkamist, et niiduk oleks nõuetekohaselt kinnitatud ja seisupidur rakendatud. Kui niiduk pole nõuetekohaselt kinnitatud, võib see kukkuda ja põhjustada surma või tõsiselt kehavigastusi.

3. Tera liikumise ennetamiseks kiiluge tera ja niiduki lõikekorpusse vahele puutükk.
4. Lõvendage tera kinnitusmutter, keerates seda vastupäeva (niiduki altsuunast vaadatuna), kasutades 16 mm mutrivõtit või padrunvõtit (ei kuulu komplekti).
5. Eemaldage tera mutter, vaherõngas, tera isolaator ja tera.



# Eesti keel

- Keerake tera mutter völliile ja pingutage sõrmedega.
- Pingutage tera mutrit päripäeva, kasutades momendimõõtevõtit (ei kuulu komplekti), tagamaks, et polt oleks nõuetekohaselt pingutatud. Tera mutri soovituslik pöördemoment on 90 N m ~ 100 N m (66~74 ft lbs).

## ▲ HOIATUS

Veenduge, et tera oleks nõuetekohaselt omal kohal ja tera mutter oleks ülal näidatud pöördemomendini pingutatud. Kui tera pole nõuetekohaselt kinnitatud, võib see lahti tulla ja põhjustada võimalikke tõsiseid kehavigastusi.

- Vajadusel korra teise teraga.

## i MÄRKUS

Veenduge, et kõik osad pandaks tagasi täpselt vastupidises järjekorras, milles need eemaldatakse.

## 7.2 ESITULE VAHETAMINE

Vt joonist 18

Uue esitule tellimiseks helistage teeninduskeskusesse või külastage meie veebisaiti.

- Parkige niiduk tasasele pinnale ja rakendage seisupidur.
- Seisake mootor ja eemaldage süütevõti.
- Eemaldage põrandaplaati paigal hoidvad kuuskantkrugi ja seib ning asetage need kõrvale.
- Tõstke veidi põrandaplaati, et pääseda ligi kahele esituld paigal hoidvale kuuskantkrugile ja seibile. Eemaldage kruvid ja seibid ning asetage need kõrvale.
- Eemaldage vana esituli ja kõrvaldage see.
- Ühendage uus esituli ja pange seibid ja kruvid tagasi. Pingutage need kindlalt.
- Langetage põrandaplaat ja pange seib ja kruvi tagasi, et see omale kohale kinnitada.

## 7.3 REHVID

Ühtlaseks niitmiseks on oluline, et kõikides rehvides oleks õige rehvirõhk. Soovituslikud rehvirõhud on toodud alljärgnevas tabelis.

## i MÄRKUS

Rehvirõhku tuleks mõõta ja reguleerida üksnes siis, kui rehvid on külmad.

Veorattad	8 40 PSI
Eesmised rullikrattad	24 40 PSI

## i MÄRKUS

Kontrollige rehve iga päev Kahjustuste korral vahetage need kohe välja.

## ▲ HOIATUS

Kontrollige rehvirõhku rehvide täispumpamise ajal hoolikalt. Liiga palju õhku rehvis võib põhjustada rehvi lõhkemist ja tuua kaasa tõsised kehavigastused.

## 7.4 MÄÄRIMINE

Vt joonist 19

Lisage enne töö alustamist õli.

Õli tüüp	SAE85W-140
Õli kogus	180 ml

ET

# Eesti keel

Võtke õli asendamiseks ettevõtte Cramer edasimüüjaga ühendust.

## i MÄRKUS

Asendage käigukasti õli pärast esimest 50 töötundi ja pärast seda iga 200 töötundi järel.

## 7.5 PINGUTUSMOMENDI VÄÄRTUSED

### ▲ HOIATUS

Eriti tähelepanelik tuleb olla veorataste mutrite ja terade võlli poltide pingutamisel. Kui neid õigesti ei pingutata, võib ratas või tera lahti tulla, mis võib põhjustada tõsiseid kahjustusi või kehavigastusi.

Pöördemomentide väärtused on toodud alljärgnevalt.

Osa	Ft lbs.	Nm
Rattamutrid	89	120
Tera võlli polt	66	90

**Ainult rattamutrid:**neid on soovituslik kontrollida pärast esimest 2 töötundi, iga 100 töötundi järel ja pärast parandamiseks või asendamiseks eemaldamist.

## 7.6 AKUPLOKI HOOLDUS

Teie ettevõtte Cramer niiduk saab toidet akuplokiilt, millel on nõuetekohase hoolduse korral mitmeaastane eluiga. Akuploki nõuetekohaseks hooldamiseks järgige alltoodud juhiseid.

- Laadige akud pärast iga kasutuskorda alati täis.
- Alati, kui akuplokk on täiesti tühjaks saanud ja välja välja lülitatud, on parim aku võimalikult kiiresti uuesti täis laadida. Akuploki ülelaadimine tähendab, et aku eluiga lüheneb ja aku võib jäädavalt kahjustada saada. Täiesti täis laadimine pole vajalik, ka akuploki laadimine kõigest 5–10 minuti pikkune laadimine tuleb kasuks. Parim on see uuesti täis laadida 24 tunni jooksul.
- Vältige murulõikmete, mustuse ja prahi kogunemist akulemmide ümber ja aku lähedale.
- Laadige akusid siseruumide hästi ventileeritud ja kuivas kohas sädemetest ja leekidest eemal. Ärge kunagi laske neil kokku puutuda vihma, auru ega vedelikega.
- Laadige ainult liitiumakusid, mille tarnijaks on ettevõtte Cramer.
- Ärge puudutage laaduri (kontaktikud) ega väljundkonnektori isoleerimata osasid.
- Ärge kasutage defektsete juhtmete ega traatidega. Asendage defektsed juhtmed ja traadid viivitamatult.
- Pikaajaliseks hoiustamiseks veenduge, et hoiuruumi temperatuur oleks ühekuulisel hoiustamisel vahemikus -20 °C kuni 45 °C ja kahe kuni kaheteist kuu pikkusel hoiustamisel vahemikus 0 °C kuni 35 °C.
- Akuploki töökeskkonna temperatuur peab tühjaks laadimisel olema vahemikus -20 °C kuni 55 °C ja laadimisel 0 °C ~ 55 °C.

## 7.7 AKUPESA FILTRI HOOLDUS

Asendage akupesa filter iga 200 töötundi järel.

## 7.8 HOOLDUS

### i OLULINE

Enne reguleerimist, puhastamist või parandamist oodake, kuni kogu liikumine lakkab. Elektrienergiat nõudvaid parandus- ja hooldustoiminguid tohivad teha üksnes vastava koolituse saanud hooldustehnikud. Lugege ja järgige kasutusjuhendi alguses toodud ohutusjuhiseid.

### i OLULINE

Elektrienergiat nõudvaid parandus- ja hooldustoiminguid tohivad teha üksnes vastava koolituse saanud hooldustehnikud.

- Parkige niiduk tasasele pinnale. Veenduge, et juhthoovad oleks neutraalasendis ja käitusvõlli lüliti väljalülitatud asendis (OFF). Tõstke lõikekorpus, keerake süütevõti väljalülitatud asendisse (OFF), eemaldage süütevõti süütelukust ja akuplokid istme all olevast akupesast.
- Kõiki hooldustoiminguid, mis nõuavad kaitsekate eemaldamist, peavad tegema koolitatud hooldustehnikud.
- Kasutage niidukialuse puhastamiseks keppi või sarnast vahendit, veendudes, et ükski teie kehaosa (iseäranis käsivarred ja labakäed) ei oleks niiduki all.
- Hoidke oma seade puhas ja eemaldage kogu kogunenud praht ja murulõikmed.
- Hoidke akupesast, lõikekorpus ja operaatori istme ümbrus kogunenud prahist, murulõikmetest ja muust mustusest puhas.
- Puhastage akupesast, sõidumootori kamber, niiduki lõikekorpus, iste jm kogu mustusest ja prahist. Kasutage puhastamiseks ainult suruõhku. ÄRGE kasutage vett, lahusteid, tugevatoimelisi ega abrasiivseid puhastusvahendeid.
- Kandke akude hooldamise, terade teritamise ja kogunenud mustuse eemaldamise ajal alati asjakohaseid silmakaitsevahendeid. Ärge kunagi proovige reguleerida ega parandada niiduki ajamisüsteemi, lõikekorpus ega ühtegi lisaseadet, kui veoajamisüsteem parajasti töötab. Elektrienergiat nõudvaid parandus- ja hooldustoiminguid tohivad teha üksnes vastava koolituse saanud hooldustehnikud.
- Ärge kunagi tehke tööd seadme või lisaseadme all, kui see just ei seisa ohutult aluspukkil. Veenduge, et seade seisaks kindlalt, kui see on tõstetud ja aluspukkidele asetatud.
- Aluspukid ei tohi võimaldada seadmel liikuda, kui veoajamisüsteem töötab ja veorattad pöörlevad. Kasutage ainult sertifitseeritud aluspukke. Kasutage seadme üleval hoidmiseks ainult sobivaid aluspukke, mille minimaalne kantava raskuse nimiväärtus on 907,2 kg (2000 naela). Kasutage ainult paaridena. Järgige aluspukkidega kaasas olevat kasutusjuhendit.
- Ärge puutuge seadme kuumasid osasid.
- Hoidke mutrid ja poldid pingutatuna, eriti need, mis terasid kinnitavad. Hoidke seade heas töökorras.
- Ärge kunagi rikkuge turvaseadmeid. Kontrollige korrapäraselt nende nõuetekohast toimimist.
- Enne väljalaskesuunaja ummistusest puhastamist keerake süütevõti väljalülitatud asendisse (OFF).
- Ärge kunagi puhastage väljalaskesuunajat, kui niiduk töötab. Keerake võti väljalülitatud asendisse (OFF) ja veenduge, et terad oleks peatunud, enne kui puhama hakkate. Kasutage ummistunud väljalaskeala puhastamiseks keppi. Ärge kunagi kasutage oma kätt!
- Enne väljalaske ummistusest puhastamist peatage üksus ja oodake, kuni terad seiskuvad. Murukogumissüsteemi osad võivad kuluda, kahjustuda ja nende seisukord võib halveneda, mistõttu liikuvad osad võivad paljastuda või objektid võivad lendu paiskuda. Kontrollige osasid sageli ja asendage need vajadusel tootja soovitatud osadega.
- Olge lõikekorpuse all töötades ettevaatlik, kuna niiduki terad on väga teravad. Kandke nende hooldamisel kindaid ja olge eriti ettevaatlik.
- Kasutage ainult ettevõtte Cramer niidukite originaalosi, tagamaks, et järgitaks algupäraseid standardeid.
- Üksuse transportimisel eemaldage alati akud. Hoidke üksus murulõikmetest, lehtedest ja muust prahist puhas.
- Kontrollige sageli pidurite toimimist. Reguleerige ja hooldage neid vastavalt vajadusele.
- Hooldage ohutus- ja juhiste silte ja vahetage need vajadusel välja.
- Laske oma muruniidukit parandada ainult kvalifitseeritud spetsialistidel, kes kasutavad originaalvaruosi. See tagab muruniiduki pideva ohutu töö.
- Kasutage seadme laadimiseks ainult tootja poolt heaks kiidetud laadimiseadet. Ühildumatu laaduri kasutamine võib kaasa tuua tulekahjuhuu.

## 8 TRANSPORT JA HOIUSTAMINE

### 8.1 TRANSPORT

#### ▲ HOIATUS

Olge seadme treilerile ja sealt maha laadimisel eriti ettevaatlik. Vajutage aeglase kiirusega sõitmise nuppu ja liigutage ettevaatlikult sõiduhuobasid vastavalt sellele, kuidas kiiruse kontrollimiseks vaja on. Peale laadimisel alati tagurdage treilerile. Kui niidukit treilerile või sealt maha laadite, ärge ületage suurimat soovitatud töönurka 15°. Kui neid juhiseid ei järgita, võite kaotada seadme üle kontrolli, mis võib põhjustada surma, tõsiseid kehavigastusi või varakahju.

## ▲ HOIATUS

Olge niiduki treilerile ja sealt maha laadimisel ettevaatlik. Veenduge, et lõikekorpus oleks võimalikult kõrgele tõstetud, et see rambi taha kinni ei jääks. Niiduki rattad võivad rambi või treileri pealt maha veereda ja põhjustada niiduki pöörmist või kummuliminekut ning tuua kaasa muljumisohu, mis võib lõppeda surma või tõsise kehavigastusega.

1. Parkige niiduk tasasele pinnale.
2. Tõstke lõikekorpus kõrgeimasse võimalikku asendisse.
3. Asetage ramp õigele kohale ja kinnitage see treileri külge, järgides tootja juhiseid.

## i MÄRKUS

Soovitame kasutada ühte täislaiuses laadimisrampi, mis on vähemalt 30 cm laiem kui niiduk, minimeerimaks ohtu, et niiduki rattad üle rambi ääre lähevad.

4. Tagurdage niidukiga aeglaselt rambile ja edasi treilerile.
5. Langetage lõikekorpus täiesti alla.
6. Rakendage seisupidur.
7. Lülitage niiduk välja ja eemaldage süütevõti.
8. Kinnitage niiduk vastavalt vajadusele, kasutades rihmu või kaableid, et selle liikumist vältida.

## ▲ HOIATUS

Vältimaks juhuslikku käivitumist või liikumist, mis võib põhjustada tõsiseid kehavigastusi, eemaldage niiduki transportimisel alati süütevõti ja rakendage seisupidur.

## 8.2 PUHASTAMINE JA HOIUSTAMINE

### 8.2.1 SEADME PUHASTAMINE

- Eemaldage mootorikatte pealt ja selle ümbrusest kogu sinna kogunenud rohi ja lehed (ärge kasutage mootori loputamiseks survega veejuga).
- Pühkige niiduk aeg-ajalt kuiva lapiga puhtaks.
- Kui kasutamise ajal koguneb niiduki alaküljele mustust, seisake mootor, lülitage niiduk välja ja kraapige see sobiva töövahendiga puhtaks.

### 8.2.2 NIIDUKI LÕIKEKORPUSE PUHASTAMINE

Vt joonist 20

- Pange seisupidur parkimisasendi pesadesse.
- Reguleerige niiduki lõikekorpus madalaimasse võimalikku asendisse.
- Kinnitage kaasas olev pesuava kiirliitmik aiakastmisvooliku külge.
- Kinnitage kiirliitmikuga aiakastmisvoolik niiduki lõikekorpuse pesuava külge. Pesuava asub niiduki lõikekorpuse vasakul küljel.
- Keerake vesi lahti.
- Tõmmake käitusvõlli lüliti, et niiduki lõiketerad käivitada, ja reguleerige terade kiirus võimalikult suureks.
- Laske veel umbes ühe minuti jooksul lõikekorpuse alla voolata.
- Seisake niiduki terad, lükates käitusvõlli lüliti alla.
- Keerake vesi kinni ja eemaldage aiakastmisvoolik ja kiirliitmik pesuava küljest.
- Eemaldage kiirliitmik aiakastmisvooliku küljest ja hoiustage edaspidiseks kasutamiseks.
- Lülitage niiduk täiesti välja.

### 8.2.3 SEADME HOIUSTAMINE

Seadme hoiustamiseks ettevalmistamiseks tuleks järgida alltoodud juhiseid.

- Puhastage seade eelmises jaotises kirjeldatud viisil.
- Kontrollige terasid ja vajadusel teritage neid või asendage need (vaadake hooldust käsitlevat jaotist).
- Ärge hoiustage seadet söövitavate materjalide kõrval (nt väetis või kivisool).

- Hoiustage seadet lastele kättesaamatus kohas.
- Ärge katke seadet ühe suure killega. Kilekatted hoiavad niiskust masina ümber ning see põhjustab roostetamist.
- Kontrollige põhjalikult, kas mõni kulunud või kahjustunud osa vajab asendamist, ja tellige need edasimüüjalt.
- Masina täielikuks määrimiseks võtke ühendust teeninduskeskusega.
- Laadige akud täiesti täis ja hooldage neid.
- Ärge tühjendage rehve õhust.
- Seadet tuleb hoiustada hästi ventileeritavas, puhtas ja kuivas kohas, kuna akulaadurit ei tohi märjas keskkonnas kasutada.
  - Hoidke akud alati täislaetuna. Akusid on eriti oluline kahjustuste eest hoida, kui temperatuur on allpool 0 °C.
  - Ühendage laaduriadapter laadimispesa ja akudega, järgides elektrisüsteemi jaotise laadimisadapterit käsitlevas osas toodud juhiseid.
  - Ühendage laadur sobivasse elektrivõrku. Rohkem üksikasju laaduri ja akude laadimise kohta leiate elektrisüsteemi jaotise akulaadurit, akude laadimist ja laadimissoovitusi käsitlevatest osadest.
  - Aku eluea maksimeerimiseks on soovituslik akud varsti pärast iga kasutuskorda täiesti täis laadida.

## 8.2.4 KASUTAMISEKS ETTEVALMISTAMINE PÄRAST HOIUSTAMIST

Et niidukit pärast hoiustamist kasutada, tuleks järgida alltoodud juhiseid.

- Laadige akud täiesti täis.
- Kontrollige rehvirõhku ja pumbake need vajadusel täis.
- Sõitke niidukiga veidi ja kontrollige kõiki süsteeme ja osasid, et tagada nende õige toimimine.

## 9 TÖRKEOTSING

PROBLEEM	VÕIMALIK PÕHJUS	LAHENDUS
Sõiduk ei liigu.	Akupesasse ei ole akuplokki sisestatud või see pole ettevõtte Cramer määratud akuplokk.	Sõiduki korrapärase töö tagamiseks peab akupesasse olema sisestatud vähemalt üks ettevõtte Cramer määratud akuplokk.
	Akuplokk ei ole laetud.	Kontrollige akuploki laetust.
	Operaatoriistmel ei istu kedagi või operaatori kohalolu lüliti ei ole suletud.	Veenduge, et juht istuks istmel.
	Seisupidur on rakendatud.	Veenduke, et oleksite seisupiduri täielikult vabastanud, nii et rattad saavad takistamatult pöörelda.
	Akupesa ei ole töös.	Keerake süütevõti väljalülitatud asendisse (OFF) ja oodake vähemalt viis sekundit, enne kui seadme taaskäivitata.
Äkiline seiskumine sõidu ajal.	Aku ei ole laetud.	Kogu sõiduki korrapärase töö tagamiseks tuleb akupesasse sisestada vähemalt üks ettevõtte Cramer akuplokk ja tagada, et akuplokk oleks laetud.
	Ebatasased ja künklikud teed on põhjustanud operaatori kohalolu lüliti lahühendumise.	Rakendage seisupidur, taaskäivitage seade ja lükake juhthooba.
	Gaasipedaali tõrge.	Võtke ühendust ettevõtte Cramer müügi järgse hoolduse osakonnaga.
	Sõiduajami kontrolleri töö nurjumine.	Võtke ühendust ettevõtte Cramer müügi järgse hoolduse osakonnaga.
Tera ei hakka pärast käitusvõlli lüliti tõmbamist tööle.	Akupesasse ei ole sisestatud ettevõtte Cramer määratud akuplokki.	Kogu sõiduki korrapärase töö tagamiseks tuleb akupesasse sisestada vähemalt üks ettevõtte Cramer akuplokk ja tagada, et akuplokk oleks laetud.
	Aku laetustase on alla 5%.	Kontrollige akuploki laetust ja kui laetustase on madal, laadige aku.
	Operaatori kohalolu lüliti ei ole suletud.	Veenduge, et juht istuks istmel.
	Terade lüliti (käitusvõlli) ei ole enne käivitamist algasendis.	Vajutage käitusvõlli ja tõmmake see uuesti üles.
	Tera mootori blokeering või muu funktsionaalne kaitse.	Kontrollige tera sujuva pöörlamise tagamiseks, et tera ja mootori vahelises ühenduskohas poleks umbrohtu ega muid võrkehasid. Soovituslik on enne löikekorpuse vajalikule käigule seadistamist löikekorpus üles tõsta ja tera käivitada.
	Liikumiskontroller tõrgub.	Veenduge, et kuvaril poleks ühtegi muud tõrketeadet.
Tera peatub muru niitmise ajal.	Terade kontroller tõrgub.	Kontrollige kuvaril kuvatavat tõrkekoodi.
	Tera mootori ülekoormus.	Puhastage löikekorpuse sisemus, veenduge, et terad pöörleksid tavapäraselt, vajutage käitusvõlli, taaskäivitage seade ja vähendage terade koormust kas löikekorpuse kõrgust suurendades või liikumiskiirust vähendades.
	Akuploki temperatuur on liiga kõrge.	Ärge kasutage vahetult pärast laadimise lõppemist, vastasel juhul võib see käivitada akuploki temperatuurikaitsetõrke.
	Aku laetustase on alla 5%.	Akuploki laetustasu on madal, laadige aku.

PROBLEEM	VÕIMALIK PÕHJUS	LAHENDUS
	Tera saab löögi võõrkehalt, mis põhjustab selle äkilise peatumise.	Keerake süütevõti väljalülitatud asendisse (OFF) ja oodake vähemalt viis sekundit, enne kui seadme taaskäivitata.
	Sõiduajami kontroller tõrgub.	Kontrollige kuvaril kuvatavat tõrkekoodi.
Niiduk lõikab muru ebaühtlaselt ja kõrgus on väga erinev.	Tera on nüri.	Teritage tera vastavalt juhendile.
	Tera on väändunud.	Asendage väändunud tera. Asendamisel järgige kasutusjuhendis toodud juhiseid ja kandke kaitsevahendeid.
	Lõikekorpus ei ole tasakaalus.	Tasakaalustage lõikekorpus vastavalt juhiste, tagamaks, et vasak ja parem külg oleksid samal kõrgusel.
Tegelik niitmiskõrgus ei vasta valitud märgitud niitmiskõrgusele.	Lõikekorpuse kinnituspoldid on lödavad.	Reguleerige lõikekorpuse kinnituspoldid, tagamaks, et see oleks kindlalt paigaldatud. Märkus: lõikekorpus tuleb pärast paigalduspoltide reguleerimist uuesti tasakaalustada.
	Lõikekorpus on oluliselt kulunud või kahjustunud.	Asendage uue lõikekorpusega.
Libleda tavatu rebestamine.	Muru on liiga märg.	Kontrollige enne niitmist muru olukorda. Kui muru on liiga märg, oodake, kuni tuul või päike selle kuivatab; oodake enne lõikamist kaste kadumist.
	Niiduk on seatud korraga liiga suurt kogust muru lõikama.	Kui muru on liiga tihe ja kõrge, tõstke lõikekorpus ja vältige kõrge tiheda rohu lõikamist nii palju, kui võimalik.
Seadme liigne vibratsioon.	Terad on lahti.	Teritage tera vastavalt juhendil toodud viisile.
	Terad on väändunud.	Asendage väändunud tera. Pöörake tähelepanu tera õigele paigaldamisele, järgides kasutusjuhendis toodud juhiseid, ja kandke kaitsekindaid.
	Ebaühtlane lõikekorpus.	Tasakaalustage lõikekorpus vastavalt juhiste, tagamaks, et vasak ja parem külg oleksid samal kõrgusel.
	Lahtine lõikekorpus.	Lukustage lõikekorpuse kinnitatud poldid.
	Niiduk on seatud korraga liiga suurt kogust muru lõikama.	Kui muru on liiga tihe ja kõrge, tõstke lõikekorpus, püüdes kõrge tiheda rohu lõikamist vältida.
Maapinnale jääb pärast niitmist rohuliblesid või prahti.	Niiduk on seatud korraga liiga suurt kogust muru lõikama.	Kui muru on liiga tihe ja kõrge, tõstke lõikekorpus. Kui muru on kõrgem kui 15 cm, kasutage soovitud tulemuse saavutamiseks kahte niitmistsükli. Püüdes vältida kõrge ja tiheda rohu lõikamist.
	Muru on liiga märg.	Kontrollige enne niitmist muru olukorda. Kui muru on liiga märg, oodake, kuni tuul või päike selle kuivatab; oodake enne lõikamist kaste kadumist.
	Liikumiskiirus on liiga suur.	Vähendage liikumiskiirust.
	Terade kiirus on liiga väike.	Suurendage terade kiirust.
Lühike niitmisaeg.	Kõrge ja tiheda muru niitmiseks võib kaasna lühike niitmisaeg.	Lõikekorpuse tõstmine või tera kiiruse vähendamine võib pikendada niiduki ühe laadimiskorra järgset kasutusaeaga.
Niiduki kontrollimatu liikumine.	Erinev rehvirõhk.	Kontrollige niiduki rehvirõhku juhiseid järgides korrapäraselt.
Seade ei käivitu pärast pesu.	Väär puhastamine, mille tagajärjel nt on vesi sattunud LED-ekraani, akupessa ja muudesse elektroonilistesse komponentidesse.	<ol style="list-style-type: none"> <li>Järgige seadme puhastamist käsitlevaid juhiseid.</li> <li>Kui sõiduk veega kogemata üle ujutatakse, pange see enne kasutust 12 tunniks kuiva kohta kuivama või kuivatage õhujoa abil.</li> </ol>

# Eesti keel

PROBLEEM	VÕIMALIK PÕHJUS	LAHENDUS
		3. Võtke ühendust ettevõtte Cramer müügijärgse hoolduse osakonnaga.
Niiduk on blokeeritud.	Umbrohi ja praht on löikekorpusel kuhjunud.	Puhastage seade juhiseid järgides pärast iga kasutuskorda.
Seade liibseb parkimisel kiiresti nõlvadel ja külgebiseb.	Rehvid on väga kulunud.	Võtke rehvide asendamiseks ühendust müügijärgse hoolduse personaliga.
	Elektromagnetiline pidur on kahjustatud või väga kulunud.	Võtke elektromagnetilise piduri asendamiseks ühendust müügijärgse hoolduse personaliga.
	Elektromagnetiline pidur on käsitsi vabastatud.	Kontrollige elektromagnetilist pidurit ja viige see tagasi algasendisse.

## 10 TEHNILISED ANDMED

<b>Mudeli nr</b>	<b>82LT107</b>
Pinge	82 V
Sõiduki kogukõrgus	106±3 kg
Pikkus	170 cm
Kõrgus	117 cm
Laius (väljalaskesuunajaga)	135 cm
Laius (väljalaskesuunajata)	107 cm
Lõikelaius	107 cm
Kiirus edaspidi liikumisel	0-8 miili tunnis
Kiirus tagurpidi liikumisel	0-3 miili tunnis
Lõikekõrguse vahemik	3.81-11.4 cm
Lõikekõrguse reguleerimise tase	7 tk
Tühikäigu kiirus	2400/3000/3200 pööret minutis
Laadimisaeg	4 h ( 8 A laaduriga)
Mootori võimsus	1.2 kW (tera mootor)
	1.2 (Sõiduajami mootor)
Nõlva maksimaalne kalle	15°
Terade arv (väljalase/multšimine)	2 tk
Mõõdetud helirõhu tase	$L_{pA} = 84.77 \text{ dB(A)}$ , $K_{pA} = 3 \text{ dB(A)}$
Mõõdetud helivõimsuse tase	$L_{wA} = 98.24 \text{ dB(A)}$
Garanteeritud helivõimsuse tase	$L_{wA,d} = 100 \text{ dB(A)}$
Vibratsioonitase	Käed: $\leq 2.5 \text{ m/s}^2$ , $K = 1.5 \text{ m/s}^2$
	Keha: $\leq 2.5 \text{ m/s}^2$ , $1.5 \text{ m/s}^2$

## 11 PIIRATUD GARANTII

### 11.1 GARANTII KATVUS

Cramer annab alljärgneva garantii ainult algsele ostjale („omanik“) – garantii pole edasi antav.



**A. Kodune kasutus:** Cramer tavapäraseks koduseks kasutamiseks\* mõeldud toote garantii on viis (5) aastat või 1500 töötundi (ükskõik, kumb enne täis saab) ostukuupäevast kõikidele kere, lõikekorpuse ja akude materjalidele ja valmistusele. Kuluosadele (nagu rehvid ja terad) kehtib garantii pikkusega kolmkümmend (30) päeva ostukuupäevast. Kui omanik avastab selle garantiiperioodi jooksul materjali- või valmistusvea, peab ta toimima järgmisel viisil.

- Omanik peab ettevõtet Cramer või volitatud edasimüüjat veast viivitamatult teavitama, tehes seda tavapärase või elektronkirjaga, telefoni teel, rakenduse kaudu või isiklikult. See teavitus ei tohi mingil juhul jõuda ettevõteteni Cramervõi volitatud edasimüüjani hiljem kui viie (5) aasta jooksul ostukuupäevast.
- Mõistliku aja jooksul pärast sellise teavituse saamist ja garantiiga kaetud vea olemasolu kinnitamist parandab ettevõtte Cramer kõik sellised ettevõtte Cramer tootel leiduvad materjali- või valmistusvead, parandades või asendades osa(d) omal äranägemisel uute või kasutatud varuosadega.
- Sellist parandustööd koos sinna juurde kuuluvate osade ja tööga pakub ettevõtte Cramer oma kulul ainult seadme algupärasele omanikule.

**B. Äriline kasutus:** Cramer äriliseks ja asutuste poolt kasutamiseks mõeldud toote garantii on viis (5) aastat või 1500 töötundi (ükskõik, kumb enne täis saab) ostukuupäevast kõikidele kere, lõikekorpuse ja akude materjalidele ja valmistusele. Kuluosadele (mille hulka kuuluvad muu seas ka rehvid ja terad) kehtib garantii pikkusega kolmkümmend (30) päeva ostukuupäevast. Kui omanik avastab selle garantiiperioodi jooksul materjali- või valmistusvea, peab ta toimima järgmisel viisil.

- Omanik peab ettevõtet Cramer või volitatud edasimüüjat veast viivitamatult teavitama, tehes seda tavakirjaga, elektronkirjaga, telefoni teel, rakenduse kaudu või isiklikult. See teavitus ei tohi mingil juhul jõuda ettevõteteni Cramervõi volitatud edasimüüjani hiljem kui viie (5) aasta jooksul ostukuupäevast.
- Mõistliku aja jooksul pärast sellise teavituse saamist ja garantiiga kaetud vea olemasolu kinnitamist parandab ettevõtte Cramer kõik sellised ettevõtte Cramer tootel leiduvad materjali- või valmistusvead, parandades või asendades osa(d) omal äranägemisel uute või kasutatud varuosadega.
- Sellist parandustööd koos sinna juurde kuuluvate osade ja tööga pakub ettevõtte Cramer oma kulul ainult seadme algupärasele omanikule (äriline).

## i MÄRKUS

Kui akusid nõuetekohaselt ei hooldata ja neid täislaetuna ei hoita, lühendab see akude eluiga ja muudab akude garantii kehtetuks. Selle piiratud garantii sätteid ei kehti, kui vea põhjuseks on alljärgnev.

- Väärkasutus või hooldamata jätmise tagajärg, nagu veekahjustus, lahtised juhtmed või roostetanud riistvara.
- Nõuetekohase hoolduse puudumine; aku väärast paigaldamisest tingitud kahjustus; hooletusse jätmine, purunemine, kokkupuude äärmuslike temperatuuritingimustega, mille hulka kuuluvad muu hulgas külmumistemperatuurid, kuuma temperatuurid, kütteallikate (sh soojendite ja tule) lähedus, kokkupuude vee või muude ainetega, lõhkumine, ülelaetud või alalaetud akuga töötamine.
- Aku, mida on laetud muude süsteemidega kui algupärast tüüpi akulaaduriga.

**Märkus:** *\*„tavapärane kodune kasutamine“ tähendab siin toote kasutamist teie kodu territooriumil. Toote kasutamist rohkem kui ühes asukohas loetakse äriliseks kasutuseks ja sellele kehtib ärilise kasutuse garantii.*

## 11.2 GARANTIITEENUSTE TEOSTAJA

Kõiki garantiiteenuseid peab osutama ettevõtte Cramer volitatud edasimüüja või ettevõtte Cramer volitatud hooldustehnik. Teenuskõned ja/või toote garantiitööde tegemiseks volitatud edasimüüja juurde ja seal tagasi transportimise kulud katab toote omanik. Garantiiteenuste saamiseks võtke ühendust volitatud edasimüüjaga.

## 11.3 GARANTII ALLA MITTEKUULUV

Cramer Garantii alla ei kuulu alljärgnev:

- parandustööd, mida on teinud volitamata isikud;
- kahjustused, mille on põhjustanud ettevõtte Cramer toote kasutamine mittesihipärasel otstarbel;
- kahjustused, mille on põhjustanud loodusõnnetused, nagu tulekahju, üleujutus, tuul ja pikne;
- kahjustused, mille on põhjustanud hooldamata jätmine, väärkasutus, ebatavaline kasutus, sobimatu või mittemõistlik kasutus, õnnetus, hooletusse jätmine või kuritarvitus, näiteks veekahju;
- parandus- ja asendustööd, mille põhjuseks on volitamata varuosade, lisatarvikute ja lisaseadmete kasutamine;
- parandus- ja asendustööd, mille põhjuseks on ükskõik milline muudatus või modifikatsioon, mis ettevõtte Cramer hinnangul halvendab seadme toimivust, jõudlust või kestlikkust;

- tooted, komponendid ja osad, mille tootjaks pole ettevõtte Cramer;
- tooted, mille tuvastusandmeid on muudetud, muu hulgas mille seerianumbrid on eemaldatud ja/või loetamatuks muudetud;
- amortisatsioon või kulumine, mille põhjuseks on tavapärase kulumine, mõistliku ja nõuetekohase hoolduse puudumine, toote omaniku kasutusjuhendis toodud või muude ettevõtte Cramerisitatud kasutus-, hooldus- ja reguleerimisjuhiste eiramine;
- tavapärased hooldusosad ja teenused, mille hulka kuuluvad teiste seas määrded, seadistusvahendid, terad, terade teritustvahendid, laagrid, pidurite või juhtimise reguleerimine;
- tooted, mida on programmeeritud viisil, mis pole nende jaoks heaks kiidetud, sealhulgas parameetrite muudatused, järelturu programmeerimised või kohandused ja kõik osade, elektroonika ja tarkvara heakskiitmata muudatused.

## 11.4 LAHTIÜTLUS GARANTIIST

Ülaltoodud garantiid asendavad kõiki muid otseseid ja kaudseid garantiisid, muu hulgas kaudseid garantiisid turustatavuse ja konkreetseks otstarbeks sobivuse kohta. Kui aga ettevõtte Cramer toode on ostetud tarbekaubana, on kõik kaudsed garantiid turustatavuse ja konkreetseks otstarbeks sobivuse kohta piiratud selle piiratud garantii kehtivusajaga. Mõned riigid ei võimalda kaudse garantii kehtivusajale piiranguid seada, seega ei pruugi ülaltoodud piirang teile kehtida. See garantii annab teile konkreetseid seaduslikud õigused ja teil võib olla ka muid õigusi, mis riigiti erinevad.

## 11.5 GARANTIIHÜVITISTE PIIRANG

Ettevõtte Cramer ei vastuta mingil juhul ühegi eri-, juhusliku ega kaasuva kahju eest, mille põhjuseks on garantiitingimuste rikkumine, lepingu rikkumine, hooletuss jätmine, lepinguväline mittesüüline vastutus või ükskõik milline muu õigusteooria. Selliste kahjude hulka kuulub muu hulgas järgmine:

- kasumi kaotus;
- säästude või tulu kaotus;
- ettevõtte Cramer toote või ükskõik millise seotud seadme kasutusvõimaluse kaotus;
- kapitalikulu;
- ükskõik millise asendusvahendi, -tarbe, teenuse või rikkeaja kulu;
- kolmandate isikute (sh klientide) nõuded ja varakahju.

## 11.6 AJAPIIRANG

Kui riikliku seadusega pole sätestatud teisiti:

igasugune garantii rikkumisega seotud meede tuleb koduse ja/või ärilise kasutuse korral võtta viie (5) aasta või kuuekümnepäevase (60) kuu jooksul ostukuupäevast.

Juhul, kui tootmise kuupäeva ja toote esmast ostmist kliendi poolt lahutab ebamõistlikult suur ajavahe, võivad ettevõtte Cramer garantiile kehtida täiendavad piirangud.

## 11.7 MUUDE GARANTIIDE PUUDUMINE

See kokkulepe loetakse poolte vahel olevaks täielikuks ja ainuõiguslikuks kokkuleppeks, mis asendab kõik eelnevad suulised ja kirjalikud kokkulepped ning muu selle lepingu sisuks olevaga seotud suhtluse.

## 11.8 OMANIKU VASTUTUS

Peate oma ettevõtte Cramer toodet hooldama, järgides kasutusjuhendis kirjeldatud hooldusprotseduure. Selline rutiinne hooldus, olenemata sellest, kas seda teeb edasimüüja või teie, on teie kulul.

See seade, nagu iga teinegi toiteallikaga seade, on potentsiaalselt ohtlik, kui seda õigesti ei kasutata. Iga operaator peab olema ettevaatlik ja alati ohutust silmas pidama. Iga operaator peaks enne ettevõtte Cramer toote kasutamist tutvuma põhjalikult seadme kasutamist ja ohutust käsitleva kasutusjuhendiga, samuti kõikide seadmel endal olevate ohutushoiatustega.

## 11.9 RISKIDE JAOTUS

See leping jaotab toote rikkeriskid ettevõtte Cramer ja omaniku vahel. Seda jaotust tunnustavad mõlemad pooled ja see kajastub kauba hinnas.

## 11.10 GARANTII REGISTREERIMINE

Kui riikliku seadusega pole sätestatud teisiti, tuleb järgida alltoodud.

1. Omanikud peavad registreerima seadme ettevõttes Cramer kümne (10) päeva jooksul pärast ostukuupäeva.
2. Registreerimise saab lõpetada, täites garantii registreerimisvormi, mis on toodud kasutusjuhendis.
3. Registreerimiseks saab kasutada ka veebipõhiseid vorme aadressil cramertools.com või rakendust ja esitades ostutõendi (kviitung koos ostukuupäevaga).

## 12 EÜ VASTAVUSDEKLARATSIOON

Tootja nimi ja aadress:

Nimi: Greenworks Tools  
Address: Brunnenweg 17, 64331 Weiterstadt, Saksamaa

Tehnilise toimiku koostamise volitustega isiku nimi ja aadress:

Nimi: Ralf Pankalla  
Address: Brunnenweg 17, 64331 Weiterstadt, Saksamaa

Käesolevaga kinnitame, et toode

Liik: Murutraktor  
Mudel: 82LT107  
Seerianumber: Vt toote andmesilti  
Tootmise aasta: Vt toote andmesilti

- vastab asjakohase masinadirektiivi 2006/42/EÜ nõuetele;
- vastab teiste järgnevate EÜ direktiivide nõuetele:
  - 2014/30/EL;
  - 2011/65/EL ja (EL)2015/863.

Lisaks kinnitame, et on kasutatud järgnevaid Euroopa ühtlustatud standardeid (või nende osi/punkte):

- EN 62841-1, EN ISO 5395-1, EN ISO 5395-3, EN ISO 14982, IEC 62321-3-1, IEC 62321-4, IEC 62321-5, IEC 62321-6, IEC 62321-7-1, IEC 62321-7-2, IEC 62321-8

Koht, kuupäev: 11.11.2022

Allkiri: Ted Qu, kvaliteedijuht

Ted Qu

[cramertools.com](http://cramertools.com)



P0804744-00 Rev B